

CHOOSE your T24 Track Head. Radiant Medium shown.

DESCRIPTION

The TS24 Track Surface Mount is designed with a 24VDC remote power supply and smaller track heads which create a refined appearance. The Single Circuit Track comes with a plastic slot cover that hides the #10 Gauge Copper Track allowing the system to blend into the ceiling. Offered in various lengths and can be cut in the field. The T24 Track Heads offer the latest in LED technology including Warm Dim.

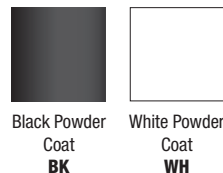
FEATURES

- Designed for use with 24VDC Universal Remote Power Supplies up to 40' away
- Remote Power Supply, and smaller Track Heads create a refined architectural aesthetic
- Track Heads allow you to easily adjust the fixture direction, tilt and rotation with one hand
- Track Heads are available in five color temperatures including Warm Dim (30D) that dims from 3000K down to 1900K
- Track Head Lumen Output up to 1256 Lumens with multiple fixed and adjustable beam spread options
- Designer-grade Color Rendering 95CRI
- Power Feeds may be ordered in End and Center, up to 100 Watts before re-feeding, 200 Watts with Center Feed
- TS24 Track Surface Mount is available in 2', 4', 6' and 8' lengths, with the ability to be cut in the field
- Opaque white cover is included to conceal the track slot
- 10 Gauge busbar helps to eliminate voltage drop

APPLICATIONS

Suitable for damp or dry location. Interior use only.

FINISH & MATERIAL



Black Powder Coat **BK** White Powder Coat **WH**

- Extruded Aluminum Channel and a pair of #10 Gauge copper busbar conductors


TRACK HEAD, INTEGRAL LED

- 30D (Warm Dim 3000K-1900K) or Standard dim in 24K, 27K, 30K and 35K
- 50,000 Hour Lamp Life

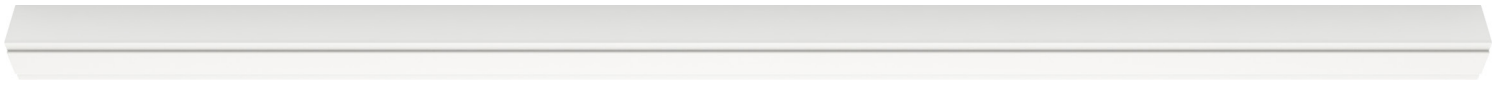
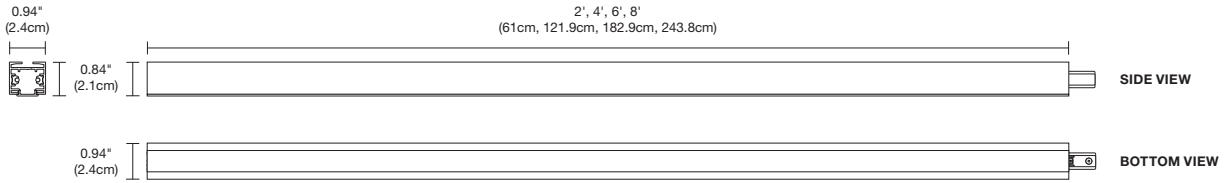
POWER SUPPLY AND DIMMING (SOLD SEPARATELY)

- 24VDC, Class 2 wiring
 - [UNI Driver](#): Universal Dimming (TRIAC, ELV, 0-10V)
- *In-Wall Mounting and drop ceiling Kits available for select power supplies

WARRANTY / LABELS

5 year warranty. Assembled in America  ETL (Conforms to UL 2018 and CSA 22.2 #250.0)

PROJECT	FIXTURE TYPE	DATE
---------	--------------	------


SINGLE CIRCUIT SURFACE 24VDC TRACK


SINGLE CIRCUIT TRACK

Made of extruded Aluminum Channel, #10 Gauge Round Copper Bus Bar to help eliminate voltage drop and is designed for use with 24VDC Remote Power Supply, sold separately. Includes Opaque Covers for Track Slot, two End Caps, Anchors, and Screws.

System	Circuit	Length in Feet	Finish
TS24	1C	8FT	WH
TS24 Track Surface Mount 24VDC	1C Single Circuit	2FT 2' 4FT 4' 6FT 6' 8FT 8'	BK Black Powder Coat WH White Powder Coat



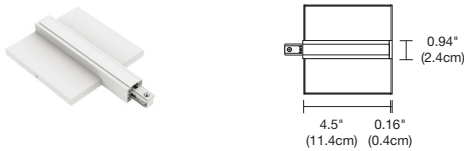
OPAQUE SLOT COVER (INCLUDED)

Opaque Slot Cover.

System	Type	Length in Feet	Finish
T24	SCO	8FT	WH
T24 Track Recessed 24VDC	SCO Opaque Cover for Track Slot	8FT 8'	BK Black WH White

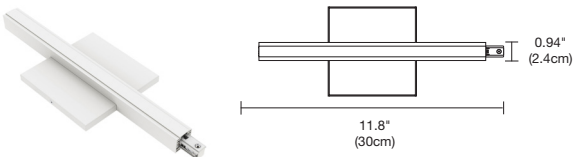
COMPONENTS Power Feeds

END POWER FEED



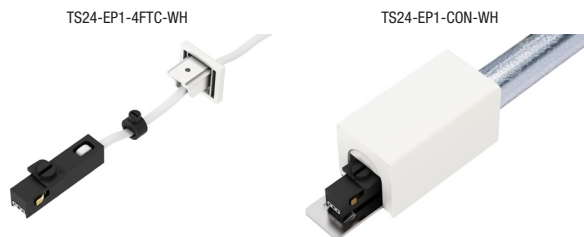
System	Type	Canopy	Power Supply	Finish
TS24	EP1	4SQ	RT	WH
TS24 Track Surface Mount 24VDC	EP1 End Power Feed, Single Circuit, up to 100 Watts	4SQ 4" Square, Standard 2.5" deep Electrical Junction Box for Remote Power Supply	RT 24VDC Remote Power Supply (Not Included)	BK Black Cover WH White Cover

CENTER POWER FEED

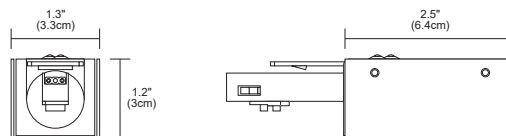


System	Type	Canopy	Power Supply	Finish
TS24	CP1	4SQ	RT	WH
TS24 Track Surface Mount 24VDC	CP1 Center Power Feed, Single Circuit Dual Feed, up to 2x100 Watts CPD Dual Connector, 2x100 Watts	4SQ 4" Square, Standard 2.5" deep Electrical Junction Box for Remote Power Supply	RT 24VDC Remote Power Supply (Not Included)	BK Black Cover WH White Cover

CONDUIT FEED

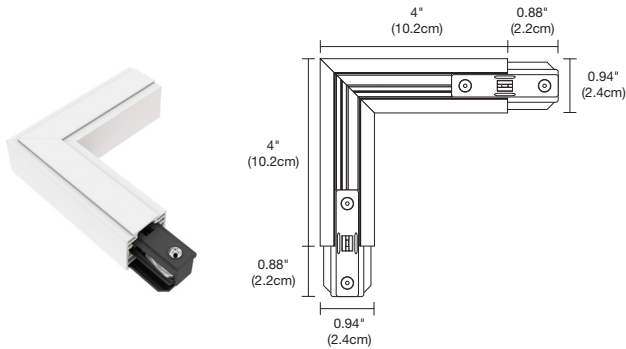


System	Type	Canopy	Finish
TS24	EP1	CON	WH
TS24 Track Surface Mount 24VDC	EP1 End Power Feed, Single Circuit, up to 100 Watts	CON 1/2" Conduit Feed Connector 4FTC 4' #14Ga Plenum Rated Cable	BK Black WH White



PROJECT	FIXTURE TYPE	DATE
---------	--------------	------

COMPONENTS Connectors, End Cap, & Mounting Clips



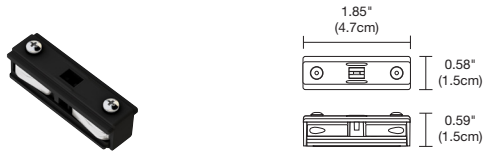
L-CONNECTOR

Conductive or Non-Conductive L-Connector joins two straight Track Surface Channels together to make a 90° angle. Order Non-Conductive when adding two Power Supplies in a square configuration.

System	Type	Ceiling Type	Finish
TS24	1C	LC	WH
TS24 Track Surface Mount 24VDC	1C Single Circuit	LC L-Connector Conductive LNC L-Connector Non-Conductive	BK Black with Black Cover WH White with White Cover

STRAIGHT CONNECTOR

Miniature Straight Connector joins two Track sections end to end and may be covered by the Plastic Insert.

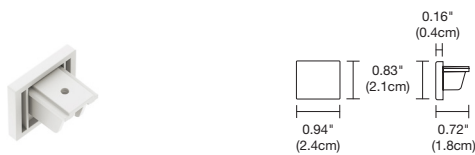


System	Type	Finish
T24	ILSC	WH
T24 Track 24VDC	ILSC Inline Straight Connector Conductive	BK Black WH White

System	Type	Finish
TS24	IJ	WH
TS24 Track 24VDC	IJ Insulated Joiner Non-Conductive	BK Black WH White

END CAP

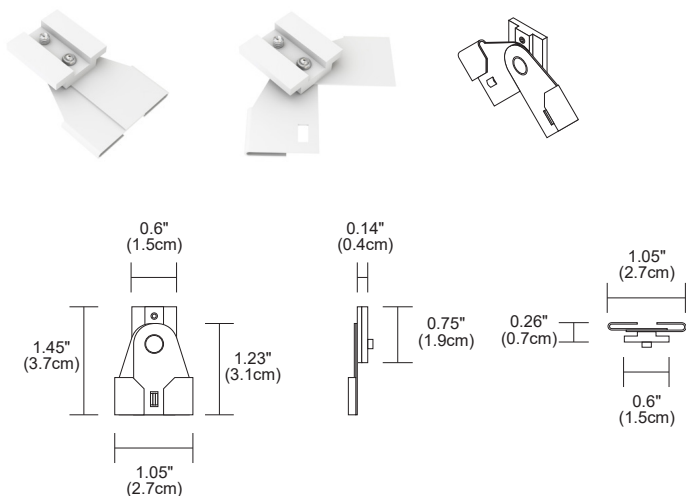
Need to order with each dead end of TS24 Track System.



System	Type	Fixture	Finish
TS24	1C	CA	WH
TS24 Track Surface Mount 24VDC	1C Single Circuit	CA End Cap	BK Black Cover WH White Cover

TRACK SURFACE T-BAR CEILING MOUNTING CLIP (FOR 1" WIDE T-BAR)

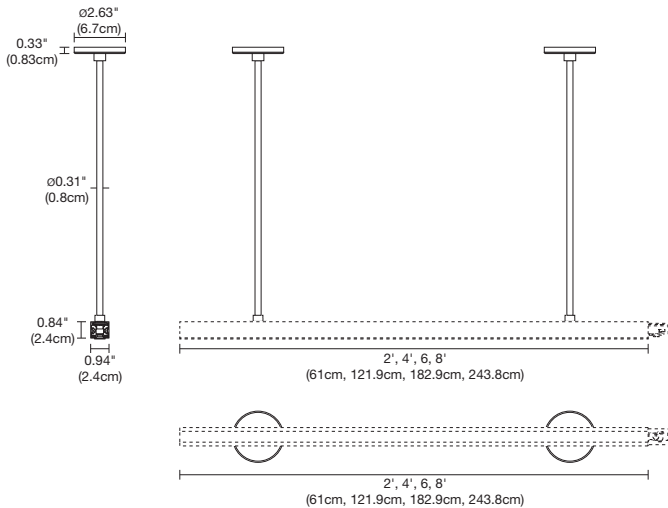
Order 1 for every 2ft of TS24 Track.



System	Type	Ceiling	Ceiling	Finish
T24	MCL	TB	1	WH
T24 Track 24VDC	MCL Mounting Clip	TB T-Bar	1 1" Wide	BK Black WH White

PROJECT	FIXTURE TYPE	DATE
---------	--------------	------

STEM MOUNT Components



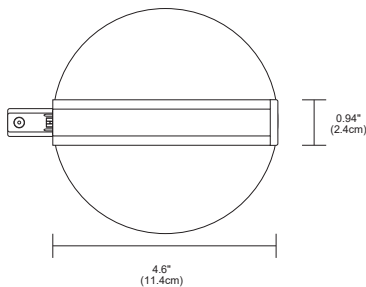
STEMS WITHOUT POWER

The TS24 Stem Mount allows the TS24 track system to be suspended from a ceiling. Available in sizes from 4" to 48". White Finish Options, 4" Round Canopy or 2" Round canopy. Custom sizes are available upon request.

System	Suspension Type	Canopy	Size	Finish
TS24	STM	2R	36	WH
TS24 Track Surface Mount 24VDC	STM Stem Mount	2R 2" Round Canopy 4R 4" Round Canopy	4 4" 6 6" 12 12" 14 14" 18 18" 24 24" 30 30" 36 36" 48 48"	BK Black WH White

STEM END FEED WITH POWER

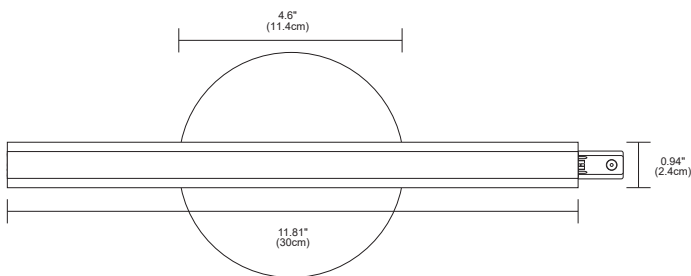
The TS24 End Feed Stem Mount Single Circuit With Power allows the TS24 track to be suspended and powered from a ceiling up to 40' away. Stem lengths available in sizes from 4" to 48", with choice of 4.6" Round canopy that fits on a standard J box or 2.6" Round Canopy for new construction that comes with its own 2" J box and plaster ring. White Finish Options. Custom sizes are available upon request.



System	Type	Suspension Type	Canopy	Size	Finish
TS24	EP1	STM	2R	36	WH
TS24 Track Surface Mount 24VDC	EP1 End Feed Power Single Circuit	STM Stem Mount	2R 2" Round Canopy 4R 4" Round Canopy	4 4" 6 6" 12 12" 14 14" 18 18" 24 24" 30 30" 36 36" 48 48"	BK Black WH White

STEM CENTER FEED WITH POWER

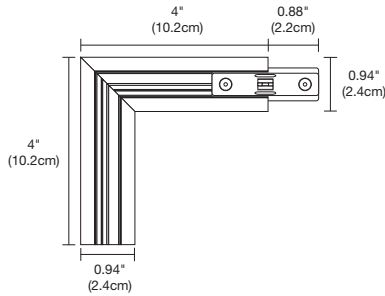
The TS24 Center Feed Stem Mount Single Circuit With Power allows the TS24 track to be suspended and powered from a ceiling up to 40' away, with remote power supply. Stem lengths available in sizes from 4" to 48", with choice of 4.6" Round canopy that fits on a standard J box or 2.6" Round Canopy for new construction that comes with its own 2" J box plaster ring. White Finish Options. Custom sizes are available upon request.



System	Type	Suspension Type	Canopy	Size	Finish
TS24	CP1	STM	2R	36	WH
TS24 Track Surface Mount 24VDC	CP1 Center Feed Power Single Circuit	STM Stem Mount	2R 2" Round Canopy 4R 4" Round Canopy	4 4" 6 6" 12 12" 14 14" 18 18" 24 24" 30 30" 36 36" 48 48"	BK Black WH White

PROJECT	FIXTURE TYPE	DATE
---------	--------------	------

STEM MOUNT Components



STEM L CONNECTOR WITH POWER

The TS24 Feed Stem Mount Single L Connector Single Circuit With Power allows the TS24 track to be suspended and powered from a ceiling up to 40' away with remote power supply. Stem lengths available in sizes from 4" to 48", with choice of 4.6" Round canopy that fits on a standard J box or 2.6" Round Canopy for new construction that comes with its own 2" J box plaster ring. White Finish Options. Custom sizes are available upon request.

System	Type	Suspension Type	Canopy	Size	Finish
TS24	LP1	STM	2R	36	WH
TS24 Track Surface Mount 24VDC	LP1 L Connector Single Circuit Power Feed L1 L Connector	STM Stem Mount	2R 2" Round Canopy 4R 4" Round Canopy	4 4" 6 6" 12 12" 14 14" 18 18" 24 24" 30 30" 36 36" 48 48"	BK Black WH White

PROJECT		FIXTURE TYPE		DATE	
---------	--	--------------	--	------	--

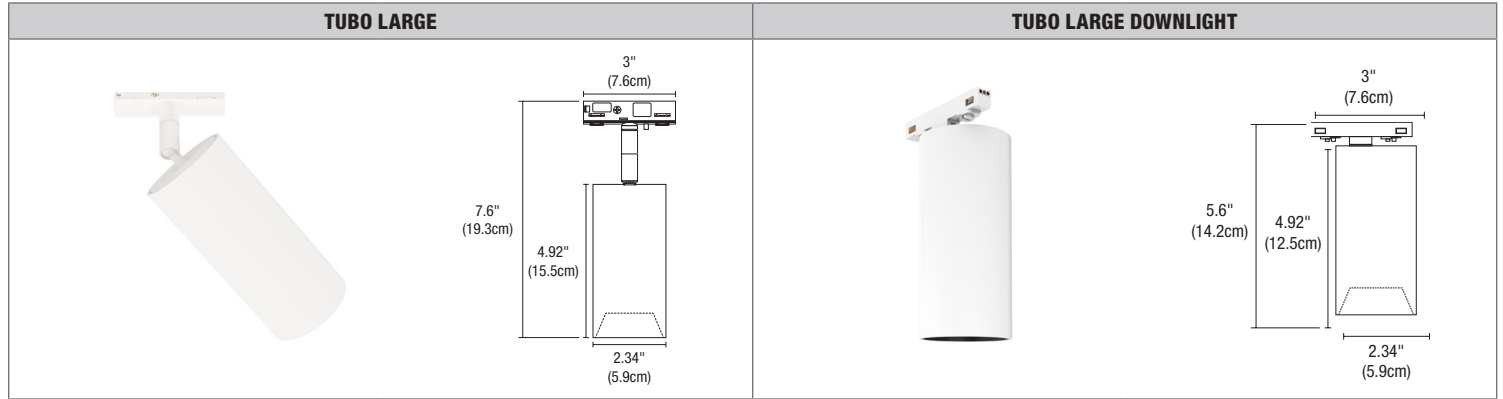
T24 TRACK HEADS

24VDC WITH INTEGRATED LED, STATIC WHITE & WARM DIM TECHNOLOGY

REV 12.01.21

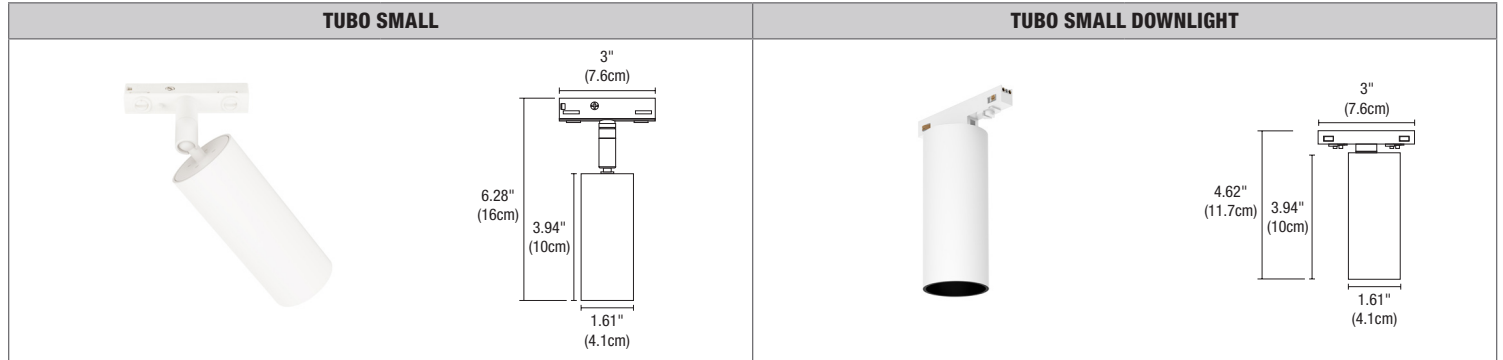
PureEdge T24 Track Heads are Compatible with TruTrack® (TR24-1C, TR24-2C) Pipeline Systems including Modular Suspension, Pipeline Track Suspensions and Pipeline Stem Mount Wall/Display (P1SDM, PT, PSTU2CR, PSTU2CR) and Surface Mount track (TS24-1C).

24VDC - All uniform beam spread options are field changeable. See page 4 for additional accessories.



System	Fixture	Beam Spread	Color Temperature	Finish
T24	TUBL	FL	30K	WH
T24 24V Track System	TUBL Tubo Large TUBLD Tubo Large Downlight	NS Narrow Spot 10° SP Spot 20° NF Narrow Flood 35° FL Flood 45° VW Very Wide Flood 75°	24K 2400K Very Warm White 27K 2700K Incandescent White 30D 3000D Warm Dim* 30K 3000K Warm White 35K 3500K Neutral White	BK Black Powder Coat WH White Powder Coat
		For 7° use STB16-BK snoot with NS	*Not available in VW 30D NS: 7.5W, 400 lumens	

BEAM ANGLE REFERENCE 45°					
COLOR TEMPERATURE	24K	27K	30K	30D	35K
TOTAL LUMENS	1032	920	891	683	1024
WATTS	14	14	14	14	14
LUMENS PER WATT (lm/w)	74	66	65	49	73
CRI	97	92	92	97	98
TM-30 DATA	R9: 60 Rf: 93 Rg: 98	R9: 97 Rf: 92 Rg: 100	R9: 64 Rf: 91 Rg: 98	R9: 90 Rf: 95 Rg: 102	R9: 92 Rf: 94 Rg: 101



System	Fixture	Beam Spread	Color Temperature	Finish
T24	TUBS	FL	30K	WH
T24 24V Track System	TUBS Tubo Small TUBSD Tubo Small Downlight	NS Narrow Spot 15° SP Spot 25° NF Narrow Flood 35° FL Flood 45° VW Very Wide Flood 75°	24K 2400K Very Warm White 27K 2700K Incandescent White 30D 3000D Warm Dim* 30K 3000K Warm White 35K 3500K Neutral White	BK Black Powder Coat WH White Powder Coat
		For 7° use STB16-BK snoot with NS	*Only available in NF, FL and VW	

BEAM ANGLE REFERENCE 45°					
COLOR TEMPERATURE	24K	27K	30K	30D	35K
TOTAL LUMENS	485	433	419	287	481
WATTS	9	9	9	8	9
LUMENS PER WATT (lm/w)	57	51	40	39	57
CRI	97	92	94	94	98
TM-30 DATA	R9: 60 Rf: 93 Rg: 98	R9: 97 Rf: 92 Rg: 100	R9: 64 Rf: 91 Rg: 98	R9: 90 Rf: 95 Rg: 102	R9: 92 Rf: 94 Rg: 101

*For more detailed information, including Title 24 compliance, please view individual product specifications at www.PureEdgeLighting.com.

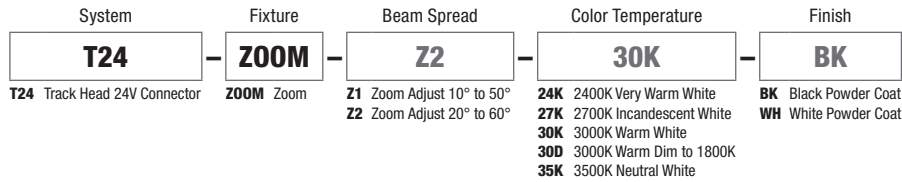
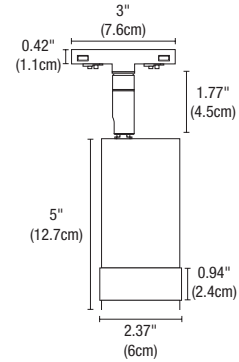
PROJECT	FIXTURE TYPE	DATE
---------	--------------	------

T24 TRACK HEADS

24VDC WITH INTEGRATED LED, STATIC WHITE & WARM DIM TECHNOLOGY

REV 12.01.21

TUBO LARGE ZOOM



	Z1		Z2	
BEAM ANGLE	10°	50°	20°	60°
COLOR TEMPERATURE	30K	30K	30K	30K
TOTAL LUMENS	721	957	977	1268
WATTS	16	16	16	16
LUMENS PER WATT (lm/w)	46	61	69	89
CRI	93	93	94	94
TM-30 DATA	R9: 66 Rf: 92 Rg: 101	R9: 66 Rf: 92 Rg: 101	R9: 74 Rf: 92 Rg: 102	R9: 74 Rf: 92 Rg: 102

PROJECT		FIXTURE TYPE		DATE	
---------	--	--------------	--	------	--

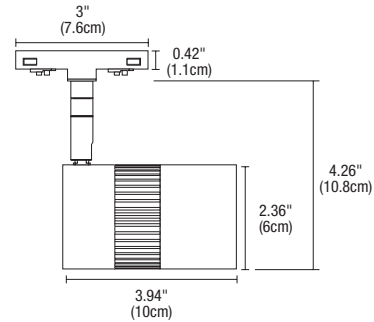
T24 TRACK HEADS

24VDC WITH INTEGRATED LED, STATIC WHITE & WARM DIM TECHNOLOGY

REV 12.01.21

All uniform beam spread options are field changeable. See page 4 for additional accessories.

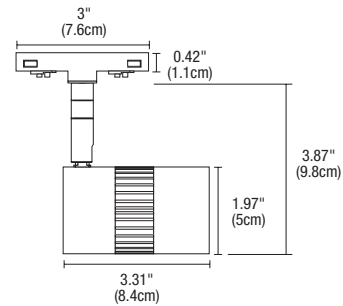
RADIANT LARGE



System	Fixture	Beam Spread	Color Temperature	Finish
T24	RADL	FL	30K	WH
T24 24V Track System	RADL Radiant Large	NS Narrow Spot 10° SP Spot 20° NF Narrow Flood 35° FL Flood 45° WF Wide Flood 60°	24K 2400K Very Warm White 27K 2700K Incandescent White 30K 3000K Warm White 30D 3000D Warm Dim* 35K 3500K Neutral White	BK Black Powder Coat WH White Powder Coat
		Warm Dim: NS (10°), SP (25°)	*Not available in NF	

BEAM ANGLE REFERENCE 45°					
COLOR TEMPERATURE	24K	27K	30K	30D	35K
TOTAL LUMENS	1256	1119	1084	838	1246
WATTS	14	14	14	14	14
LUMENS PER WATT (lm/w)	90	80	80	58	89
CRI	97	92	92	97	98
TM-30 DATA	R9: 60 Rf: 93 Rg: 98	R9: 97 Rf: 92 Rg: 100	R9: 64 Rf: 91 Rg: 98	R9: 90 Rf: 95 Rg: 102	R9: 92 Rf: 94 Rg: 101

RADIANT MEDIUM



System	Fixture	Beam Spread	Color Temperature	Finish
T24	RADM	FL	30K	WH
T24 24V Track System	RADM Radiant Medium	SP Spot 20° NF Narrow Flood 35° FL Flood 45° WF Wide Flood 60°	24K 2400K Very Warm White 27K 2700K Incandescent White 30K 3000K Warm White 30D 3000D Warm Dim 35K 3500K Neutral White	BK Black Powder Coat WH White Powder Coat

BEAM ANGLE REFERENCE 45°					
COLOR TEMPERATURE	24K	27K	30K	30D	35K
TOTAL LUMENS	846	754	730	360	839
WATTS	11	11	11	8	11
LUMENS PER WATT (lm/w)	77	69	64	47	76
CRI	97	92	92	93	98
TM-30 DATA	R9: 60 Rf: 93 Rg: 98	R9: 97 Rf: 92 Rg: 100	R9: 64 Rf: 91 Rg: 98	R9: 90 Rf: 95 Rg: 102	R9: 92 Rf: 94 Rg: 101

MATERIAL	Extruded Aluminum	FREQUENCY	50/60HZ	APPLICATION	Suitable for damp or dry locations. Indoor use only.	COMPLIANCE LABEL	ETL to UL 2108 Standard
INPUT VOLTAGE	24VDC	POWER FACTOR	> 0.90	DIMMING & FLICKER	0-10V dimming Flicker less than 2%	LED LAMP LIFE	60,000 Hours

*For more detailed information, including Title 24 compliance, please view individual product specifications at www.PureEdgeLighting.com.




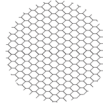


PROJECT		FIXTURE TYPE		DATE	
---------	--	--------------	--	------	--



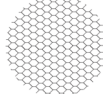


T24 TRACK HEADS




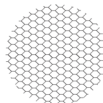


24VDC WITH INTEGRATED LED, STATIC WHITE & WARM DIM TECHNOLOGY


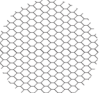


REV 12.01.21

Additional Lenses and Accessories

TUBO LARGE LENS		SNOOT		LOUVER	FOCUS LENS	LINEAR SPREAD FILM	
							
ORDERING CODE	STATIC WHITE LEN-2-ILO-NS-SW LEN-2-ILO-SP-SW LEN-2-ILO-NF-SW LEN-2-ILO-FL-SW LEN-2-ILO-VW-SW	WARM DIM LEN-2-ILO-NS-WD LEN-2-ILO-SP-WD LEN-2-ILO-NF-WD LEN-2-ILO-FL-WD	STB16-BK STB16-WH (WHITE SHELL)	ST16-BK ST16-WH	L016-H	LF-TUBL-SM (SOFT FOCUS), MF (MEDIUM FOCUS), WF (WIDE FOCUS)	LF-TUBL-LS
REFLECTOR SIZE	2" (50mm) Diameter						
BEAM SPREADS	NS (10°), SP (20°), NF (35°), FL (45°), VW (75°)		Conical snoot creates a 7° Beam spread and is designed to reduce spill and control glare. Spun aluminum.	Snoot is designed to reduce spill and control glare. Spun aluminum.	Hexcell louver eliminates glare. 0.125" Thickness.	Soft focus lens is included with every track head. Diffuses the beam, providing uniform illumination.	Linear spread film: directs the light into an elongated beam. Typical applications using 10°, 15°, 25° include illuminating landscape oriented art. 35°, 40°, 60° create an elongated oval typically used for wall washing.

TUBO SMALL LENS		SNOOT		LOUVER	FOCUS LENS	LINEAR SPREAD FILM
						
ORDERING CODE	STATIC WHITE LEN-1.4-EVA-NS-SW LEN-1.4-EVA-SP-SW LEN-1.4-EVA-NF-SW LEN-1.4-EVA-FL-SW LEN-1.4-EVA-VW-SW	WARM DIM LEN-1.4-EVA-NF-WD LEN-1.4-EVA-FL-WD LEN-1.4-EVA-VW-WD	TUBS-ST-BK TUBS-ST-WH (WHITE SHELL)	L016-H	LF-TUBS-SM (SOFT FOCUS), MF (MEDIUM FOCUS), WF (WHITE FOCUS)	LF-TUBS-LS
REFLECTOR SIZE	1.375" (35mm) Diameter					
BEAM SPREADS	NS (15°), SP (25°), NF (35°), FL (45°), VW (75°)		Conical snoot creates a 7° Beam spread and is designed to reduce spill and control glare. Spun aluminum.	Hexcell louver eliminates glare. 0.125" Thickness.	Soft focus lens is included with every track head. Diffuses the beam, providing uniform illumination.	Linear spread film: directs the light into an elongated beam. Typical applications using 10°, 15°, 25° include illuminating landscape oriented art. 35°, 40°, 60° create an elongated oval typically used for wall washing.

RADIANT LARGE LENS		SNOOT		LOUVER	FOCUS LENS	LINEAR SPREAD FILM	
							
ORDERING CODE	STATIC WHITE LEN-2-CAR-NS-SW LEN-2-CAR-SP-SW LEN-2-CAR-NF-SW LEN-2-CAR-FL-SW LEN-2-CAR-WF-SW	WARM DIM LEN-2-CAR-NS-WD LEN-2-CAR-SP-WD LEN-2-CAR-FL-WD LEN-2-CAR-WF-WD	STB16-BK STB16-WH (WHITE SHELL)	ST16-BK ST16-WH	L016-H	LF-RADL-SM (SOFT FOCUS), MF (MEDIUM FOCUS), WF (WIDE FOCUS)	LF-RADL-LS
REFLECTOR SIZE	2" (50mm) Diameter						
BEAM SPREADS	NS (10°), SP (20°), NF (35°), FL (45°), WF (60°)	NS (15°), SP (25°), FL (45°), WF (60°)	Conical snoot creates a 7° Beam spread and is designed to reduce spill and control glare. Spun aluminum.	Snoot is designed to reduce spill and control glare. Spun aluminum.	Hexcell louver eliminates glare. 0.125" Thickness.	Soft focus lens is included with every track head. Diffuses the beam, providing uniform illumination.	Linear spread film: directs the light into an elongated beam. Typical applications using 10°, 15°, 25° include illuminating landscape oriented art. 35°, 40°, 60° create an elongated oval typically used for wall washing.

RADIANT MEDIUM LENS		LOUVER	FOCUS LENS	LINEAR SPREAD FILM	
					
ORDERING CODE	STATIC WHITE LEN-1.4-EVA-SP-SW LEN-1.4-EVA-NF-SW LEN-1.4-EVA-FL-SW LEN-1.4-EVA-WF-SW	WARM DIM LEN-1.4-EVA-SP-WD LEN-1.4-EVA-NF-WD LEN-1.4-EVA-FL-WD LEN-1.4-EVA-WF-WD	L011-H	LF-RADM-SM (SOFT FOCUS) MF (MEDIUM FOCUS), WF (WIDE FOCUS)	LF-RADM-LS
REFLECTOR SIZE	1.375" (35mm) Diameter		MR16 Hexcell louver accessory eliminates glare. 2" Diameter x .125" Thick.	Soft focus lens is included with every track head. Diffuses the beam, providing uniform illumination.	Linear spread film: directs the light into an elongated beam. Typical applications using 10°, 15°, 25° include illuminating landscape oriented art. 35°, 40°, 60° create an elongated oval typically used for wall washing.
BEAM SPREADS	SP (20°), NF (35°), FL (45°), WF (60°)		Hexcell louver eliminates glare. 0.125" Thickness.		

PROJECT		FIXTURE TYPE		DATE	
----------------	--	---------------------	--	-------------	--

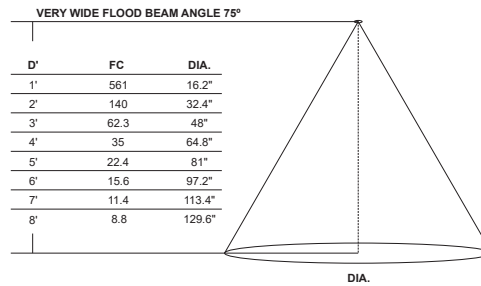
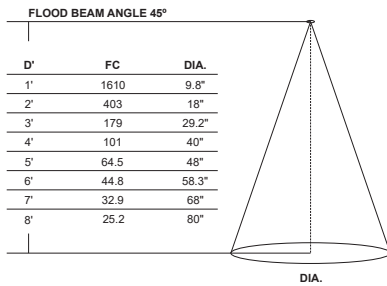
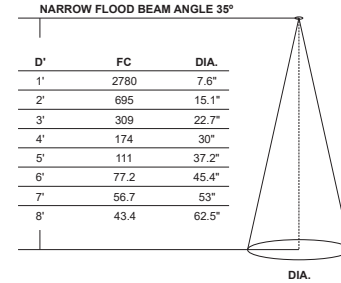
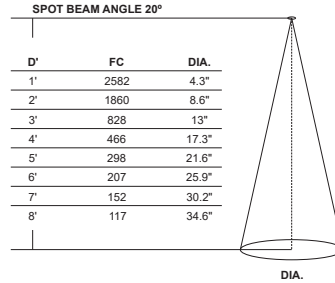
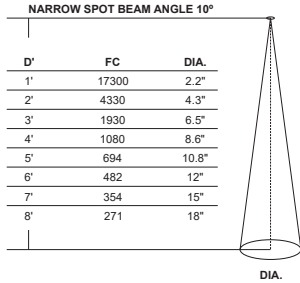
T24 TRACK HEADS

24VDC WITH INTEGRATED LED, STATIC WHITE & WARM DIM TECHNOLOGY

REV 12.01.21

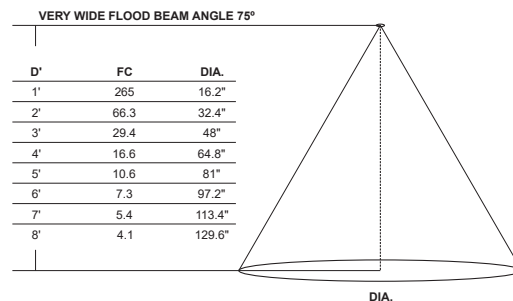
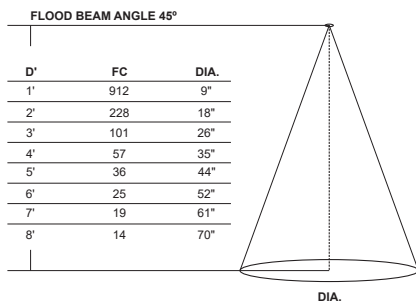
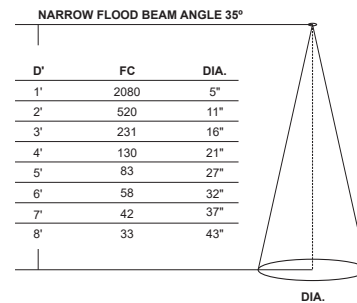
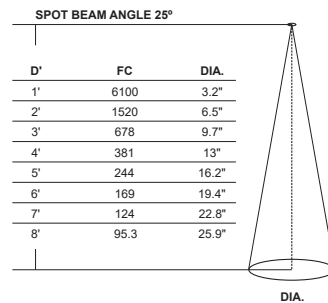
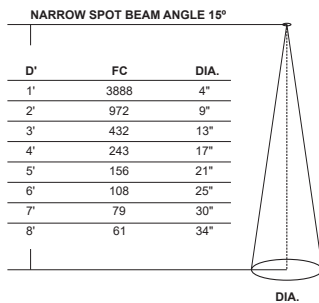
TUBO LARGE Photometric Data

D - Distance from fixture
FC - Initial foot candles at the center of beam
DIA - Diameter



TUBO SMALL Photometric Data

D - Distance from fixture
FC - Initial foot candles at the center of beam
DIA - Diameter



PROJECT	FIXTURE TYPE	DATE
---------	--------------	------

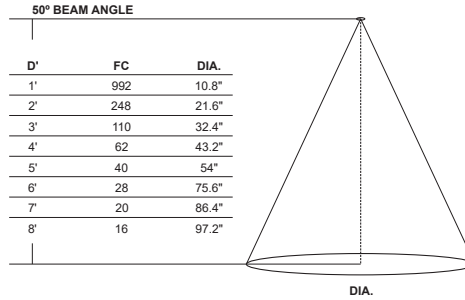
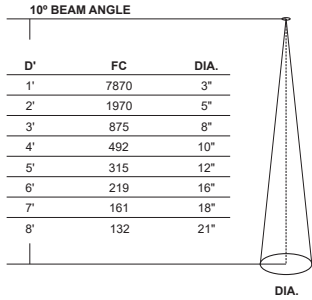
T24 TRACK HEADS

24VDC WITH INTEGRATED LED, STATIC WHITE & WARM DIM TECHNOLOGY

REV 12.01.21

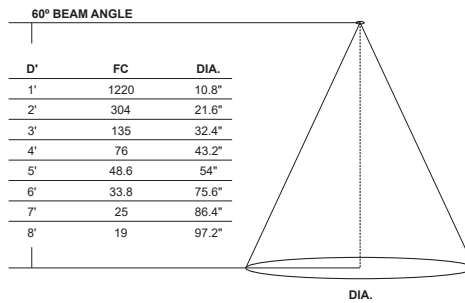
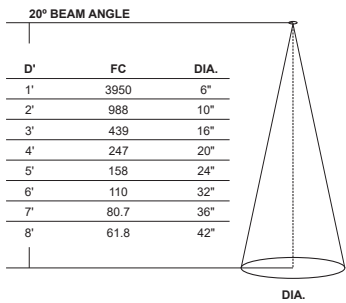
TUBO ZOOM Z1 Photometric Data

D - Distance from fixture
FC - Initial foot candles at the center of beam
DIA - Diameter



TUBO LARGE ZOOM Z2 Photometric Data

D - Distance from fixture
FC - Initial foot candles at the center of beam
DIA - Diameter



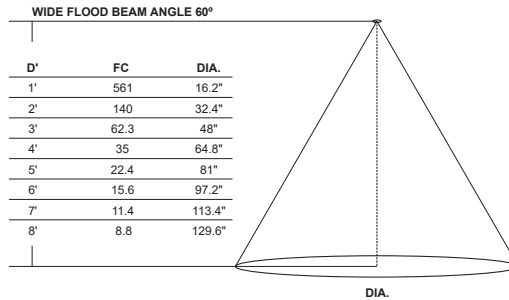
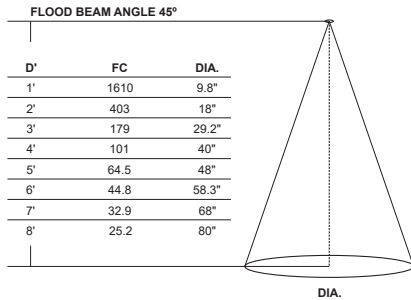
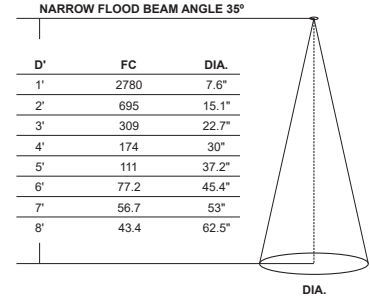
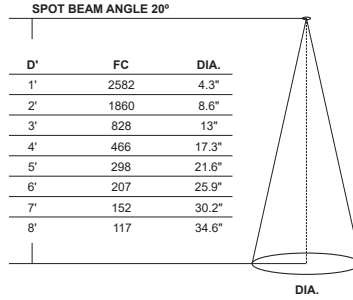
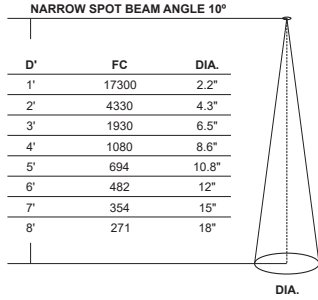
PROJECT	FIXTURE TYPE	DATE
---------	--------------	------

T24 TRACK HEADS

24VDC WITH INTEGRATED LED, STATIC WHITE & WARM DIM TECHNOLOGY

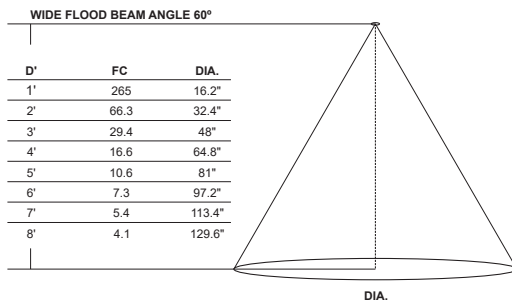
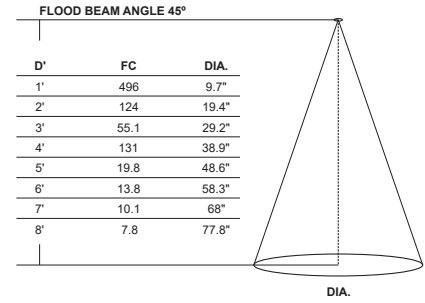
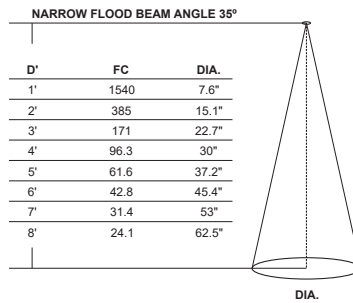
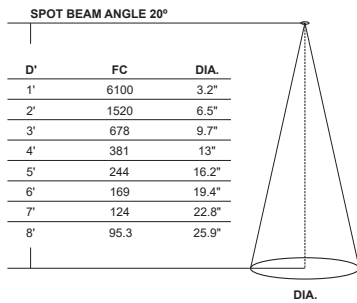
RADIANT LARGE Photometric Data

D - Distance from fixture
FC - Initial foot candles at the center of beam
DIA - Diameter



RADIANT MEDIUM Photometric Data

D - Distance from fixture
FC - Initial foot candles at the center of beam
DIA - Diameter



PROJECT	FIXTURE TYPE	DATE	
---------	--------------	------	--

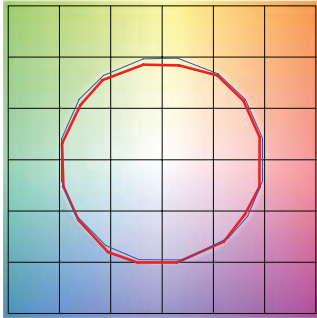
TM30 DATA

24VDC WITH INTEGRATED LED, STATIC WHITE & WARM DIM TECHNOLOGY

TM-30-15 DATA: Consistent color temperatures among multiple track heads is possible through a 3 phase binning process in which each order is inspected with a color meter to ensure uniformity.

2400K | Rf: 91.2 | Rg: 96.8

Color Vector Graphic

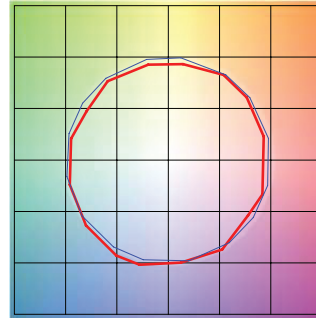


■ Test ■ Reference

HUE BIN	Rf	GRAPHIC SHIFTS %	
		CHROMA	HUE
1	92.0	-2.4%	1.5%
2	94.7	-2.1%	0.0%
3	95.4	-1.9%	-0.1%
4	88.7	-6.7%	-3.1%
5	92.8	-5.6%	1.0%
6	92.7	-3.4%	3.4%
7	89.9	-4.3%	4.1%
8	92.4	-1.4%	4.4%
9	89.0	-0.6%	5.8%
10	88.9	0.4%	6.2%
11	89.7	4.0%	5.4%
12	92.6	3.0%	-0.7%
13	90.9	1.1%	-7.0%
14	89.9	0.5%	-5.8%
15	92.1	-3.2%	0.1%
16	88.9	-1.7%	-6.3%

2700K | Rf: 87.7 | Rg: 96.1

Color Vector Graphic

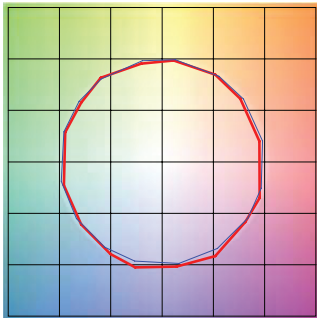


■ Test ■ Reference

HUE BIN	Rf	GRAPHIC SHIFTS %	
		CHROMA	HUE
1	88.0	-4.3%	2.6%
2	91.6	-2.4%	2.0%
3	93.7	-1.4%	1.9%
4	88.9	-5.6%	-3.1%
5	92.3	-5.5%	-0.5%
6	92.9	-3.5%	0.1%
7	84.5	-7.5%	4.6%
8	90.8	-3.0%	4.4%
9	84.5	-1.3%	8.3%
10	83.9	2.0%	9.8%
11	87.2	5.3%	7.1%
12	89.2	5.4%	-2.6%
13	88.7	0.3%	-7.8%
14	86.8	1.7%	-9.3%
15	87.6	-5.4%	-1.3%
16	83.6	-3.3%	-9.5%

3000K | Rf: 88.1 | Rg: 99.7

Color Vector Graphic

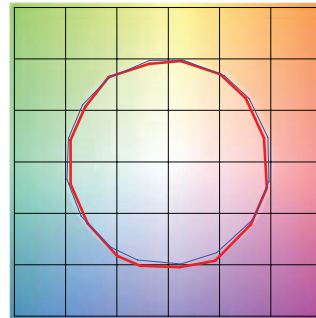


■ Test ■ Reference

HUE BIN	Rf	GRAPHIC SHIFTS %	
		CHROMA	HUE
1	92.5	-3.1%	0.3%
2	93.3	-2.3%	1.9%
3	90.9	-0.8%	3.9%
4	94.3	-1.1%	1.4%
5	92.5	-2.6%	1.5%
6	96.4	1.2%	-0.3%
7	92.6	-2.5%	-0.0%
8	96.9	-1.4%	0.2%
9	92.3	-1.8%	4.3%
10	86.6	-0.7%	7.0%
11	86.5	2.4%	8.2%
12	89.8	5.9%	1.7%
13	93.9	2.6%	-2.7%
14	89.4	5.1%	-5.8%
15	90.1	-0.1%	-4.7%
16	86.5	0.3%	-9.7%

3500K | Rf: 86.1 | Rg: 95.5

Color Vector Graphic

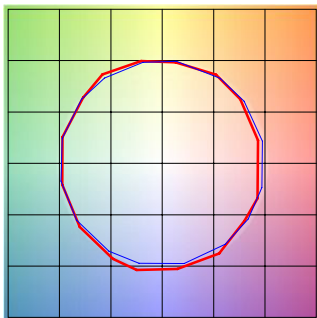


■ Test ■ Reference

HUE BIN	Rf	GRAPHIC SHIFTS %	
		CHROMA	HUE
1	90.8	-3.8%	0.3%
2	92.3	-2.8%	2.1%
3	89.7	-1.0%	4.3%
4	92.6	-1.4%	1.7%
5	91.8	-3.1%	1.3%
6	96.2	0.8%	-0.4%
7	92.9	-3.2%	0.2%
8	94.3	-2.5%	1.5%
9	90.4	-2.5%	5.2%
10	84.3	-1.4%	9.5%
11	83.1	3.5%	9.8%
12	88.2	4.8%	3.4%
13	94.0	2.7%	-2.0%
14	88.7	5.9%	-5.8%
15	88.7	0.7%	-5.9%
16	86.8	-0.7%	-6.7%

3000D | Rf: 89.8 | Rg: 101.4

Color Vector Graphic



■ Test ■ Reference

HUE BIN	Rf	GRAPHIC SHIFTS %	
		CHROMA	HUE
1	90.2	-4.2%	1.5%
2	90.9	-2.0%	3.7%
3	87.9	0.8%	5.5%
4	92.1	-0.9%	0.6%
5	93.0	1.5%	1.6%
6	92.2	3.9%	-0.2%
7	92.1	-0.3%	-2.0%
8	96.7	0.0%	-1.2%
9	92.5	-0.6%	3.7%
10	88.3	1.1%	7.0%
11	87.2	4.1%	7.4%
12	87.2	6.7%	-1.0%
13	88.2	3.8%	-7.2%
14	85.3	4.3%	-9.9%
15	90.9	-2.2%	-3.6%
16	83.4	-2.2%	-11.2%

PROJECT	FIXTURE TYPE	DATE
---------	--------------	------