



1718 W. Fullerton Chicago, IL 60614
 Ph: 773.770.1195 • Fax: 773.935.5613
 www.PureEdgeLighting.com • info@PureEdgeLighting.com
 © 2016 PureEdge Lighting. All Rights Reserved.

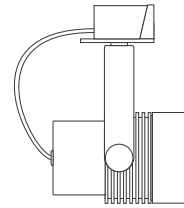
Installation Instructions for Exterior Micro Track Head

TX12-MICRO-__

IMPORTANT SAFETY INFORMATION

To reduce the risk of fire, electrical shock, exposure to excessive UV radiation, or injury to persons:

- Do not look directly at the lamp while the fixture is on.
- **RISK OF FIRE:** Use only the type of lamp and maximum wattage indicated in this instruction manual.
- Never cover the halogen lamp with anything other than a lamp shield provided by Edge Lighting and never place flammable material close to the fixture.
- Never turn the fixture on and off by connecting and disconnecting the halogen lamp.
- Do not touch the fixture head, shade or lamp shield while the fixture is on. These surfaces may be **VERY HOT**.
- Do not touch lamp at anytime. Use soft cloth. Oil from skin may damage lamp.
- It is normal for a new halogen lamp to produce minor smoke when first turned on.
- Do not operate the luminaire with a missing or damaged shield.
- Turn power off and allow to cool before replacing lamp.



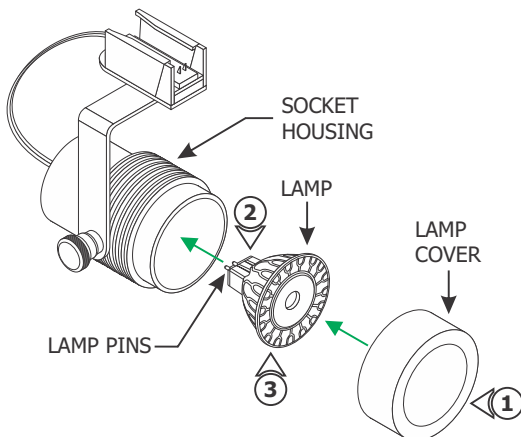
IMPORTANT INFORMATION

- This product is suitable for outdoor locations.
- Ensure that power to the electrical box is **OFF** before beginning installation.
- The fixtures used with the Edge Lighting systems must be identified for use with the corresponding Edge Lighting systems.
- For use with 12VAC low voltage outdoor lighting systems only.

SAVE THESE INSTRUCTIONS!

Install the Track Head

A



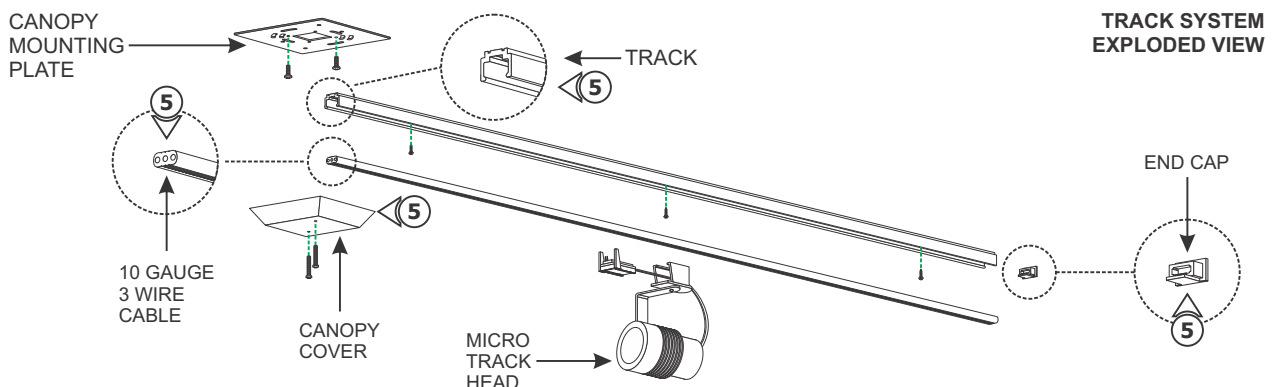
CAUTION: To reduce risk of a burn or electrical shock during lamping, disconnect the power to the fixture.

Use **MAX 50 Watt**, Type MR16 Front Glass Halogen or **MAX 8 Watt**, Type MR16 LED lamp.

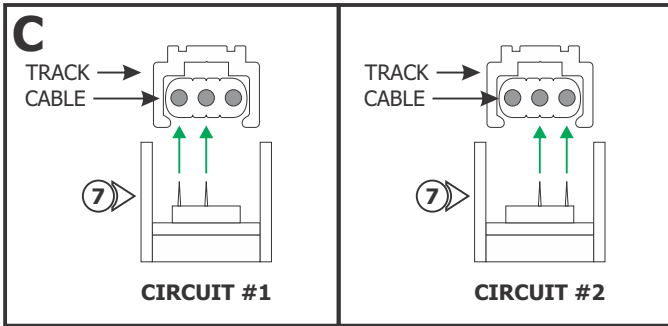


- 1:** Rotate the lamp cover counter-clockwise and remove it from the socket housing.
- 2:** Align the two pins of the lamp with the two holes of the socket housing.
- 3:** Push the lamp pins completely into the socket holes.
- 4:** Seat and rotate the lamp cover clockwise to secure in place.

B

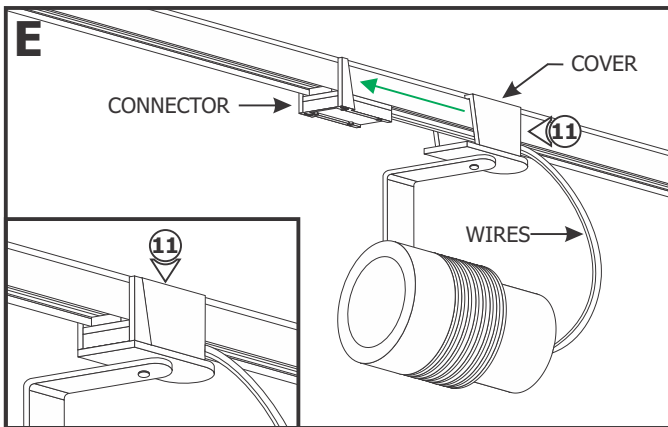
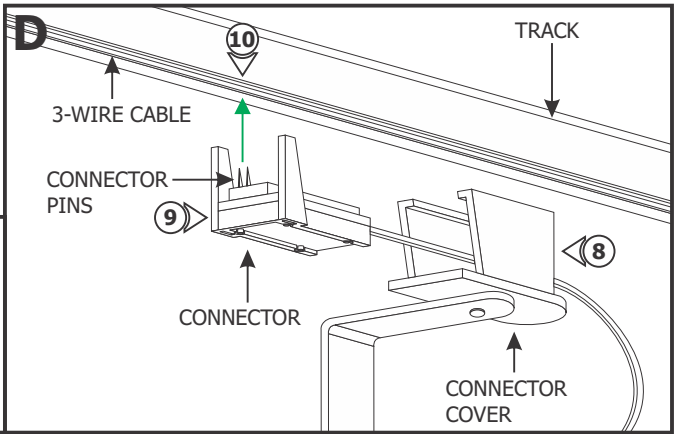


5: Refer to the instructions provided with the Exterior Track to install the track and canopy.



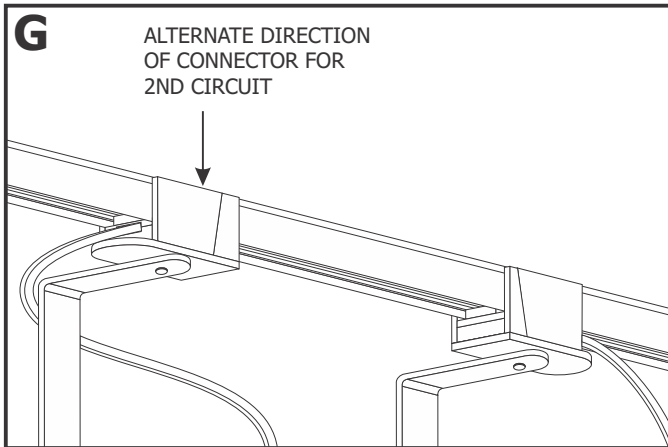
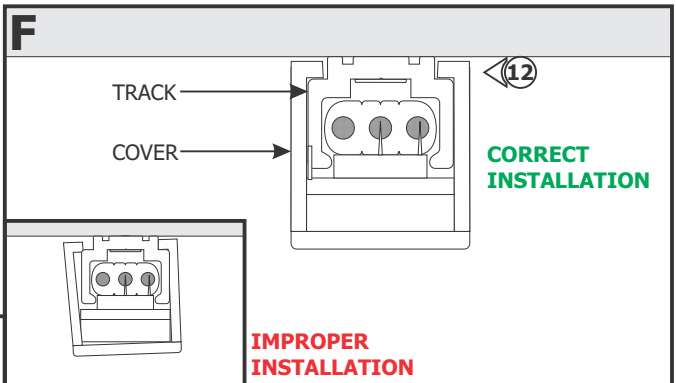
- 6:** Determine the desired location of the fixture on the track.
- 7:** Choose the circuit that the fixture is going to be mounted. Make sure the connector pins line up with the chosen circuit.

- 8:** Slide the connector off of the cover.
- 9:** Press and snap the connector into the cable on the chosen circuit.
- 10:** Ensure the pins of the connector pierce the wires completely.



- 11:** Snap the connector cover over the fixture wires and onto the track. Slide the cover completely onto the connector to secure the fixture in place.

- 12:** Ensure the connector cover lips snap over the back of the track.



- NOTE:** When attaching fixtures to 2-circuit systems, alternate the direction of the connectors on the 3-wire cable for every other fixture to balance the electrical load.
- NOTE: DO NOT** load each circuit over the maximum system rating.

- 13:** Adjust the fixture to the desired position by loosening the knob and rotating the head and the arm.
- 14:** Turn the power on.

