



1718 W. Fullerton Chicago, IL 60614
 Ph: 773.770.1195 • Fax: 773.935.5613
 www.PureEdgeLighting.com • info@PureEdgeLighting.com
 © 2016 PureEdge Lighting. All Rights Reserved.

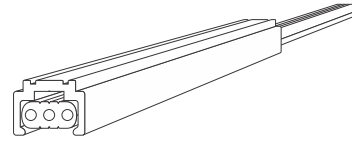
Installation Instructions for Exterior Track and Canopy

TX12-SQ-_-_-

IMPORTANT INFORMATION

- This product is suitable for outdoor locations.
- The fixtures used with the Edge Lighting systems must be identified for use with the corresponding Edge Lighting systems.
- If wiring through building structure, consult a qualified electrician for Class 1 wiring requirements.
- Exterior tracks are available in 4ft or 8ft. Make sure the cable length (sold separately as TX12-CB-BK or TX12-CB-WH) is at least 1ft longer than track. Order minimum 5ft cable for 4ft track.

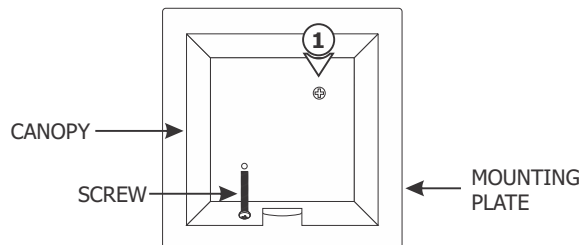
SAVE THESE INSTRUCTIONS!



- The low voltage cable should be protected by routing in close proximity of the luminaire or fitting, or next to a building structure such as a house or deck.
- The low voltage cable have to be cut off so that it is connected to a connector within 6 inches (15.2cm) from a building structure, a luminaire, or fitting.
- The low voltage cable should not be buried except for a maximum 6 inches (15.2cm) in order to connect to the main low voltage cable.

Install the Track

A



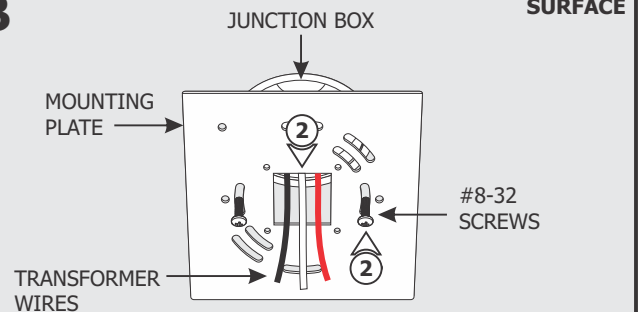
NOTE: Ensure that power to the electrical box is **OFF** before beginning installation.

- 1:** Loosen the two Phillips screws from the canopy to remove the mounting plate.

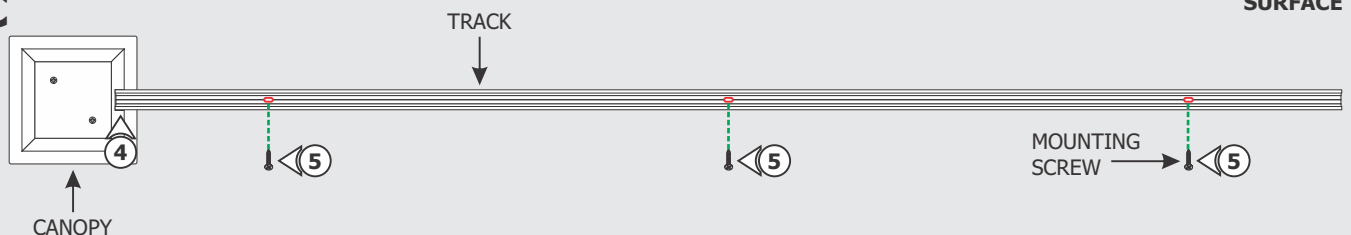
NOTE: Remote transformer wires must be present in the junction box. Refer to the instructions provided with the transformer.

- 2:** Feed the transformer wires through the mounting plate center hole. Secure the mounting plate to the junction box using the two #8-32 Phillips screws.

B

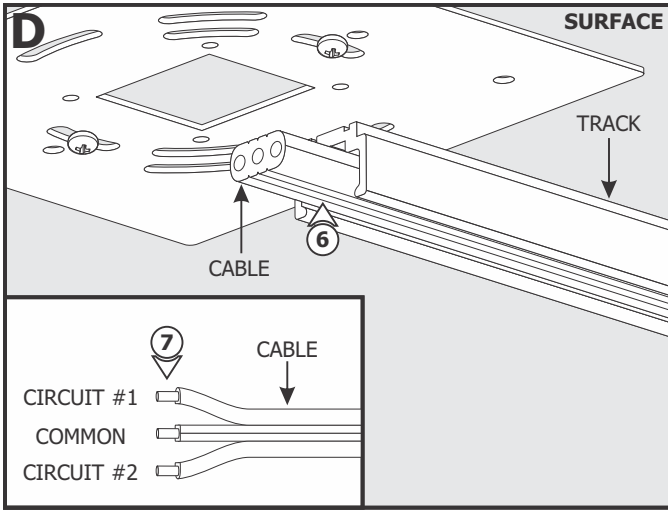


C



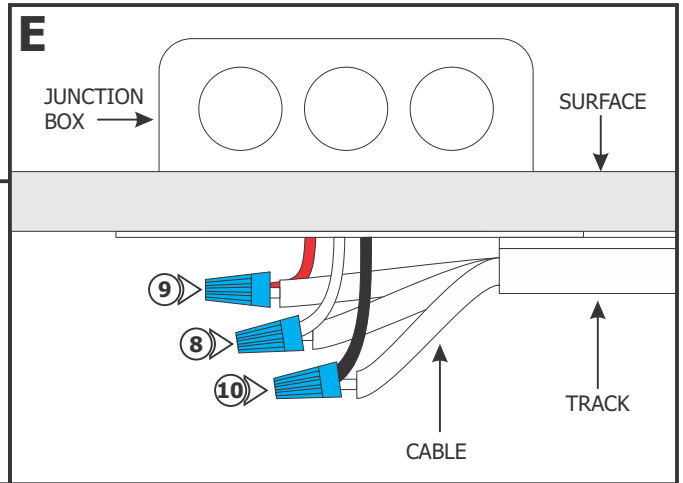
NOTE: Typical installation under outdoor awning or deck.

- 3:** Determine the location of the track on the surface. If heavy or multiple fixtures will be installed on the track, drill additional holes as close as 6" on the track using a 0.14" drill bit.
- 4:** Slightly attach the cover onto the mounting plate using the two Phillips screws. Place the track against the opening of the cover (**not inside the cover**) and mark the points through the track holes on the surface.
- 5:** Secure the track to the surface using the provided mounting screws and remove the canopy cover. Additional mounting screws are needed for additional holes.



6: Slide the flat cable into the track.

7: Split the wire ends and strip 1/2" off of each wire.

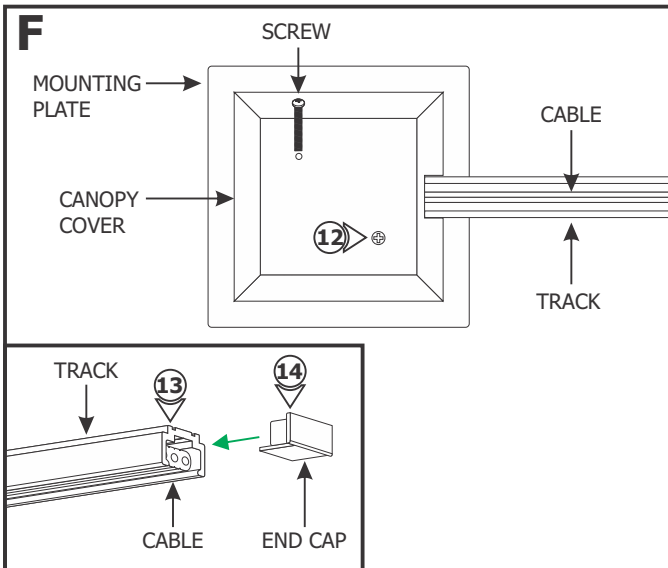


8: Connect the middle flat cable wire to the neutral wire with a wire nut in the junction box.

9: Connect one of the two remaining wires to circuit #1 hot wire with a wire nut in the junction box.

10: Connect the last flat cable wire to circuit #2 hot wire with a wire nut in the junction box.

11: If necessary, refer to the wiring diagram below.



12: Align and place the canopy cover over the mounting plate. Secure it by tightening the two Phillips screws.

13: Cut the other end of the flat cable.

14: Push the end cap into the end of the track.

Wiring Diagram

