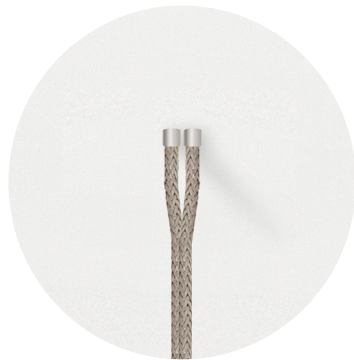


VANISHING POINT 24VDC DUAL SUSPENSION GRIP JACK CEILING COAXIAL CABLE CONNECTION SYSTEM

DESIGNED BY GREGORY KAY | ASSEMBLED IN AMERICA | US PATENT PENDING

REV 01.08.21



VR-DGJ24S-WH
Vanishing Point .150" Opening Plaster-In

DESCRIPTION

The Vanishing Point 24VDC Dual Grip Jack Connection System allows a Pure Edge Linear Dual end feed coaxial cable to disappear into the ceiling (Dynamic Tunable White Systems, Linear Up Down Lights, and Dual Feed Modular, BIY, and MIYO systems). Available in two distinct mounting options for either drywall or millwork, the Vanishing Point dual grip jack system achieves the most minimal connection allowing for a refined and continuous architecture of any space. Remote power supply only (sold separately). Patent Pending.

DRYWALL APPLICATION (PLASTER-IN)

VR - Remote Power Supply has NO visible canopy line, just the two small points of connection where the cables disappear into the ceiling. 24V remote power supply (order separately) Title 24 compliant.

MILLWORK APPLICATION

V2MR - Connection point at ceiling 2.0" canopy sits flush in Millwork ceilings for a clean look. 24v remote power supply (order separately). Title 24 compliant.

ACCESSORIES

VR-CG - .043" Non-Power Cable Grip for Drywall

V2MR-CG - Non-Power Cable Grip for Millwork, 2" Flush Plate

CONNECTION TYPES

24V Dual Grip Jack for Dynamic Tunable White and fixtures with both Direct and Indirect light (Up and Down)

WARRANTY / LABELS

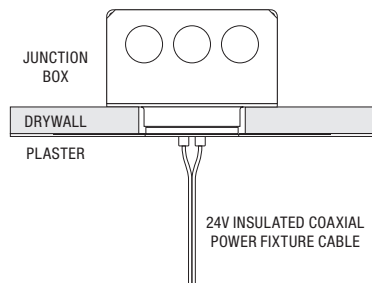
Prorated 5 year warranty. Assembled in America. ETL (Conforms to UL1598 and CSA 22.2 #250.0), Title 24

APPLICATIONS

Designed for indoor use only. Ideal applications in residential, commercial, retail, and hospitality environments include kitchens, living rooms, dining rooms, entryways, offices, conference rooms, architectural spaces, lobbies, large-scale public spaces, hotels, restaurants, and luxury health spas.



V2MR-DGJ24S-BZ
Vanishing Point 2" Flush Canopy for Millwork Ceiling, with ELV power supply in J-Box



System	Type/Voltage	Finish
VR	DGJ24S	WH
VR Vanishing Point 0.150" Connection Plaster in to Drywall. No Outline of Canopy at connection point. Remote Power Supply	DGJ24S Dual Grip Jack 24 volt Coaxial cable with plastic sheathing	WH White BK Black SN Satin Nickel BZ Bronze
V2MR Vanishing Point 2.0" Millwork Flush-Mount Canopy, Remote 24 VDC Power Supply, for use with Millwork		
System	Type/Voltage	
VR	CG	
VR Vanishing Point .043" Connection, Plastered in to Drywall. No Outline of Canopy at connection point	CG Non-Power Cable Grip. Max 33 lbs.	

PROJECT	FIXTURE TYPE	DATE
---------	--------------	------

VANISHING POINT 24VDC DUAL SUSPENSION GRIP JACK CEILING COAXIAL CABLE CONNECTION SYSTEM



To Remote Power Supply (not included)



To Remote Power Supply (not included)



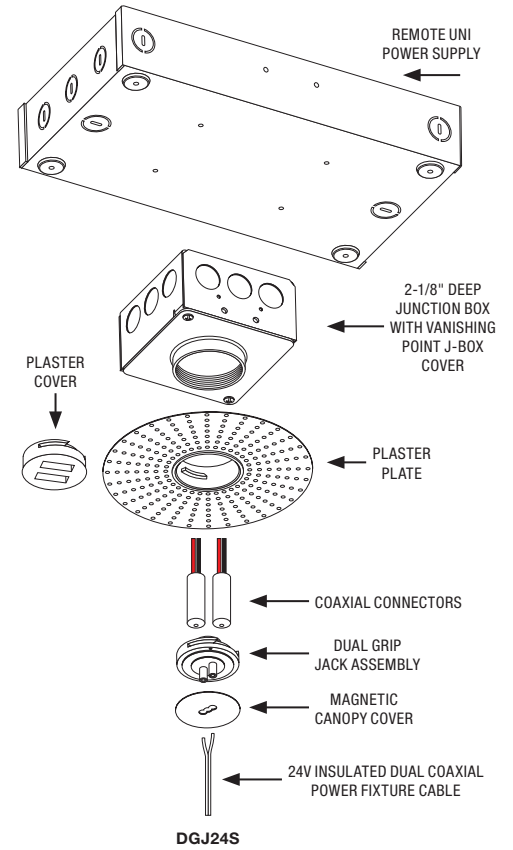
VR-DGJ24S

Vanishing Point Flush to dry wall, plaster in and paint, with Remote Power



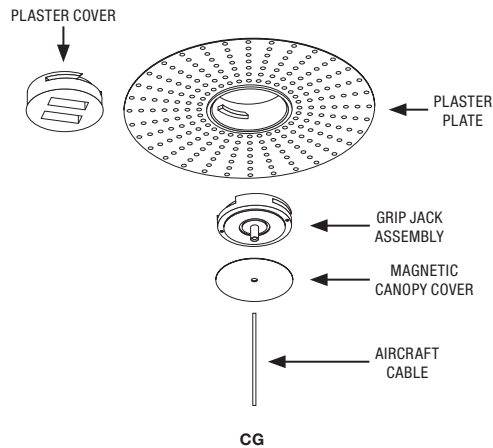
V2MR-DGJ24S

Vanishing Point 2" Flush Canopy for Millwork with Remote Power



VR-CG

Non-Power Cable Grip for Drywall, plaster in and paint (Order Separately)



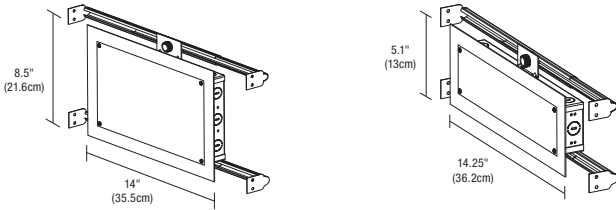
PROJECT		FIXTURE TYPE		DATE	
---------	--	--------------	--	------	--

UNIVERSAL POWER SUPPLIES & RECOMMENDED DIMMERS			
ORDERING CODE	PSB-2X40W-UNI-24VDC	PSB-2X60W-UNI-24VDC	PSB-96W-UNI-24VDC
SPECIFICATIONS			
MAXIMUM LOAD	2X40W	2X60W	96W
INPUT VOLTAGE	120-277VAC	120-277VAC	120-277VAC
OUTPUT VOLTAGE	24VDC	24VDC	24VDC
DIMENSIONS	12.15" X 6.48" X 2.18"	12.15" X 6.48" X 2.18"	12.4" X 3.12" X 2.18"
CLASSIFICATION	CLASS 2	CLASS 2	CLASS 2
IN-WALL MOUNTING	PSB-2X40W-UNI-24VDC-IW	PSB-2X60W-UNI-24VDC-IW	PSB-96W-UNI-24VDC-IW
UNIVERSAL POWER SUPPLIES & RECOMMENDED DIMMERS			
ORDERING CODE	PSB-2X96W-UNI-24VDC	PSB-2X96W-UNI-24VDC	PSB-4X96W-UNI-24VDC
SPECIFICATIONS			
MAXIMUM LOAD	2X96W	3X96W	4X96W
INPUT VOLTAGE	120-277VAC	120-277VAC	120-277VAC
OUTPUT VOLTAGE	24VDC	24VDC	24VDC
DIMENSIONS	12.15" X 6.48" X 2.18"	14" X 10" X 3"	17" X 13" X 3"
CLASSIFICATION	CLASS 2	CLASS 2	CLASS 2
IN-WALL MOUNTING	PSB-2X96W-UNI-24VDC-IW	NA	NA
ELV DIMMING & CONTROLS			
LUTRON DIVA: DVELV-300P	•	•	•
LUTRON SKYLARK: SELV-300P	•	•	•
LUTRON RADIO RA2: RRD-6NA	•	•	•
LUTRON MAESTRO: MAELV-600	•	•	•
LEGRAND ADORNE: ADTP-703TUM4	•	•	•
0-10 DIMMING & CONTROLS			
PHILIPS SUNRISE: SR1200ZTUNV	•	•	•
LUTRON DIVA: DVTW-WH, DVSTV-WH	•	•	•
LUTRON NOVA T: NTSTV-DV-XX	•	•	•
LUTRON GRAFIX EYE QS: QSGRJ-XP	•	•	•
LUTRON RADIO RA2: RRD-10ND	•	•	•
LEVITON: LEV40050	•	•	•
LEVITON IP710-LFZ	•	•	•
LEGRAND: ADPD4FBL3P2W4	•	•	•
TRIAC DIMMING & CONTROLS			
LUTRON SKYLARK: S2-L-WH	•	•	•
LUTRON DIVA DVLV-600P-WH	•	•	•
LUTRON DIVA DVLV-603P-WH	•	•	•
LUTRON MAESTRO MALV-600-WH	•	•	•
LUTRON MAESTRO MALV-1000-WH	•	•	•
LUTRON MAESTRO MA-R-XX	•	•	•

- Flicker free dimming
- Aluminum casing for optimal heat dissipation
- Isolated output power per NEC and UL safety requirements
- UL & ETL recognized/ listed, meets UL 8750, 1310 requirements
- Auto-reset; short circuit, overload and thermal protection
- Class 2 power supply
- Efficient, High power factor > 0.90
- The Solid State Constant Voltage Uni-Power Supply is compatible with most commercially available Dimmers:
 - Triac Dimmer : (Forward Phase) Typically used for the dimming of Incandescent and Low Voltage Magnetic Transformers
 - ELV Dimmer : (Reverse Phase) Dimming of Electronic Low Voltage Transformers and Power Supply's used for LED lighting
 - 0-10 Dimmer : Dims the Low Voltage side of a 0-10 volt power supply commonly used in large scale lighting or commercial applications.
- The Uni-Power Supply is recommended with any Siemens/Murray brand of arc fault breaker to overcome the issues with tripping the breakers with an ELV LED Low Voltage Drivers.

PROJECT	FIXTURE TYPE	DATE
---------	--------------	------

IN WALL MOUNTING OPTIONS



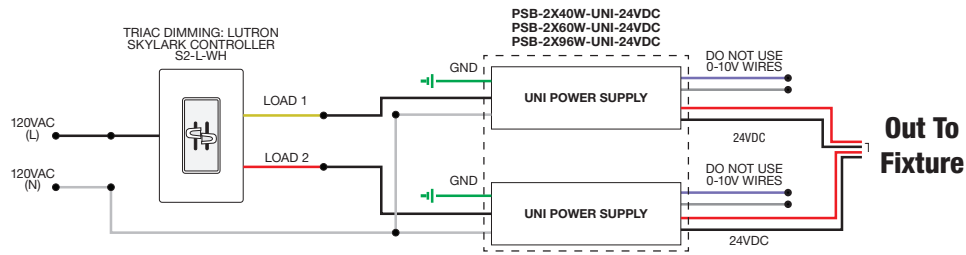
In-Wall Mounting Kit: Includes power supply, box cover and stud hangers for installing Junction Box in wall. Select "IW" in the options section of compatible power supply ordering codes if an In-Wall Mounting Kit is needed.

Ordering Codes 5.1" x 14.25": PSB-40W-UNI-24VDC-IW
 PSB-60W-UNI-24VDC-IW
 PSB-96W-UNI-24VDC-IW

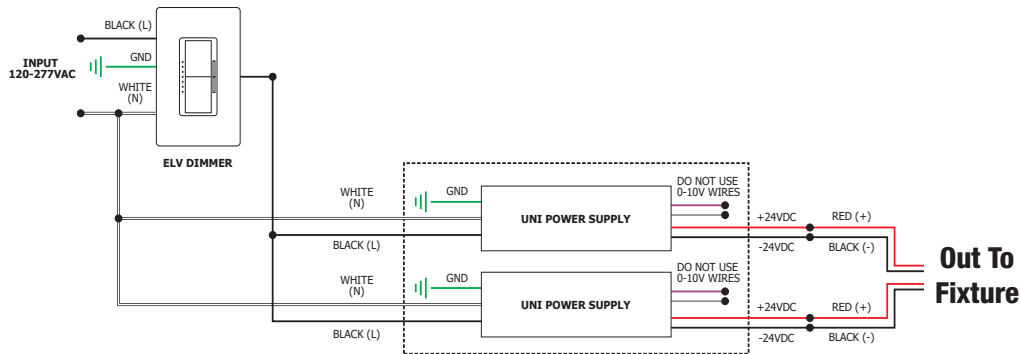
Ordering Codes 8.5" x 14.25": PSB-2X40W-UNI-24VDC-IW
 PSB-2X60W-UNI-24VDC-IW
 PSB-2X96W-UNI-24VDC-IW

WIRING DIAGRAMS UNIVERSAL POWER SUPPLY

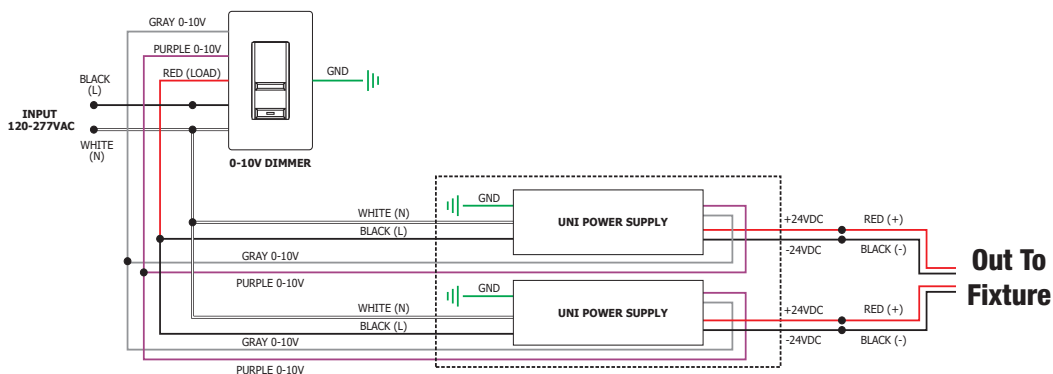
Application: Triac dimming for two power supplies, use for Tunable White
Dimming: Dimmable with Triac dimmer: Lutron: Skylark S2-L



Application: ELV dimming for Tunable White and Warm Dim
Dimming: Dimmable with ELV dimmer: Legrand, Adorne ADTP703TU; Lutron: Diva DVELV-300P, Skylark SELV-300P, Maestro MAELV-600 and Radio Ra 2



Application: 0-10V dimming for Tunable White
Dimming: Dimmable with 0-10V dimmer: Philips Sunrise: SR1200ZTUNV; Lutron Diva: DVTV-WH, DVSTV-WH; Lutron Nova T: NTSTV-DV-XX; Lutron Grafix EYE QS: QSGRJ-XP; Lutron Radio Ra2: RRD-10ND; Leviton: LEV40050; Leviton IP710-LFZ; Legrand: ADPD4FBL3P2W4



PROJECT		FIXTURE TYPE		DATE	
---------	--	--------------	--	------	--