

# VANISHING POINT RADIANT MEDIUM LED 24VDC TRACK HEAD

DESIGNED BY GREGORY KAY | ASSEMBLED IN AMERICA

REV 10.21.20



**VR**  
Vanishing Point .5" Opening Plaster-In, Remote Power supply (Order separately)



**V2P**  
Vanishing Point 2" Flush Magnetic Canopy Cover to dry wall, with ELV power supply in J-Box



**V2MP**  
Vanishing Point 2" Flush Canopy for Millwork Ceiling, with ELV power supply in J-Box

## DESCRIPTION

The Vanishing Point System Radiant Track Head Medium offers four distinct mounting options for drywall and millwork, allowing for the most minimal and refined architecture in almost any application. The Radiant Medium LED is offered with your choice of three beam spreads as well as field-changeable optic reflectors (optional). The flat-back cylinder with a radiant heat sink swivels 90° vertically and 360° horizontally. Available in five color temperatures, including warm dim (30D) and two finish options to choose from. Remote power supply can feed over 30 fixtures. 97+CRI produces Designer grade color rendering. Patent Pending. Up to 900 total Lumens at 3500K (see pg2).

## DRYWALL APPLICATIONS (PLASTER-IN):

**VR** - Remote Power Supply has NO visible canopy line, just the small (0.5") point of connection where the fixture Fast Jack stem disappears into the ceiling. 24VDC remote power supply (Order Separately). Title 24 compliant.  
**V2P** - ELV power supply fits within the junction box. The plaster-in and paint plate allows for the slightest outline of the 2.0" round canopy. 24 VDC/50W IC or 60W Non-IC ELV.

## MILLWORK APPLICATIONS:

**V2MR** - Connection point at ceiling 2.0" canopy sits flush in Millwork ceilings for a clean look. 24VDC remote power supply (sold separately). Available in Black. Title 24 compliant.  
**V2MP** - Connection point at ceiling 2.0" canopy sits flush in Millwork ceilings with included ELV power supply that fits inside J-BOX. Available in Black. 24 VDC/50W IC or 60W Non-IC ELV.

## OPTIONAL REFLECTORS

Field adjustable single optic reflector gives a smooth uniform beam at 20° / 40° / 60° beam spread options

## APPLICATIONS

Designed for indoor use only in drywall and millwork, dry and damp locations. Ideal applications in Commercial, Retail, Residential, Hospitality, Education, and Healthcare Institutions.

## POWER SUPPLIES & DIMMING\*

Input Voltage: 120VAC/24VDC  
 Power Consumption: 9-11 watts  
**VR / V2MR:** Remote Power Class 2 wiring, 0-10V Dimming, up to 100 Watts  
**V2P / V2MP:** 50W IC or 60W Non-IC ELV (power supply inside J-box) ELV Dimming only

\*Remote power supplies are ordered separately

## SPECIFICATIONS

Construction: Die Cast Aluminum  
 Aim/Adjustment: 90 deg Tilt, 360 Rotation  
 Color Rendering: COB Chromaticity range within a 2-step MacAdam Ellipse  
 Average LED life: 60,000 hrs

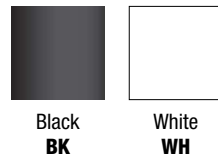
## LAMPING

	BEAM ANGLE REFERENCE 40°				
COLOR TEMPERATURE	24K	27K	30K	30D	35K
TOTAL LUMENS	867	808	675	628	900
WATTS	10.6	10.6	9	11	10.75
LUMENS PER WATT (lm/w)	81	75	75	57	83
CRI	93	97	92	98	97
TM-30 DATA	R9: 60 Rf: 91.3 Rg: 99.1	R9: 97 Rf: 93.1 Rg: 99	R9: 92 Rf: 90.8 Rg: 99	R9: 88.7 Rf: 90.8 Rg: 100	R9: 60 Rf: 91.3 Rg: 99.1
LAMP LIFE	60,000 Hours, 70% Lumen Maintenance				

## WARRANTY / LABELS

Pro-rated 5 year warranty. Assembled in America , ETL (Conforms to UL1598 and CSA 22.2 #250.0) RoHs, Title 24 (Remote power supplies only) RoHs

## FINISHES



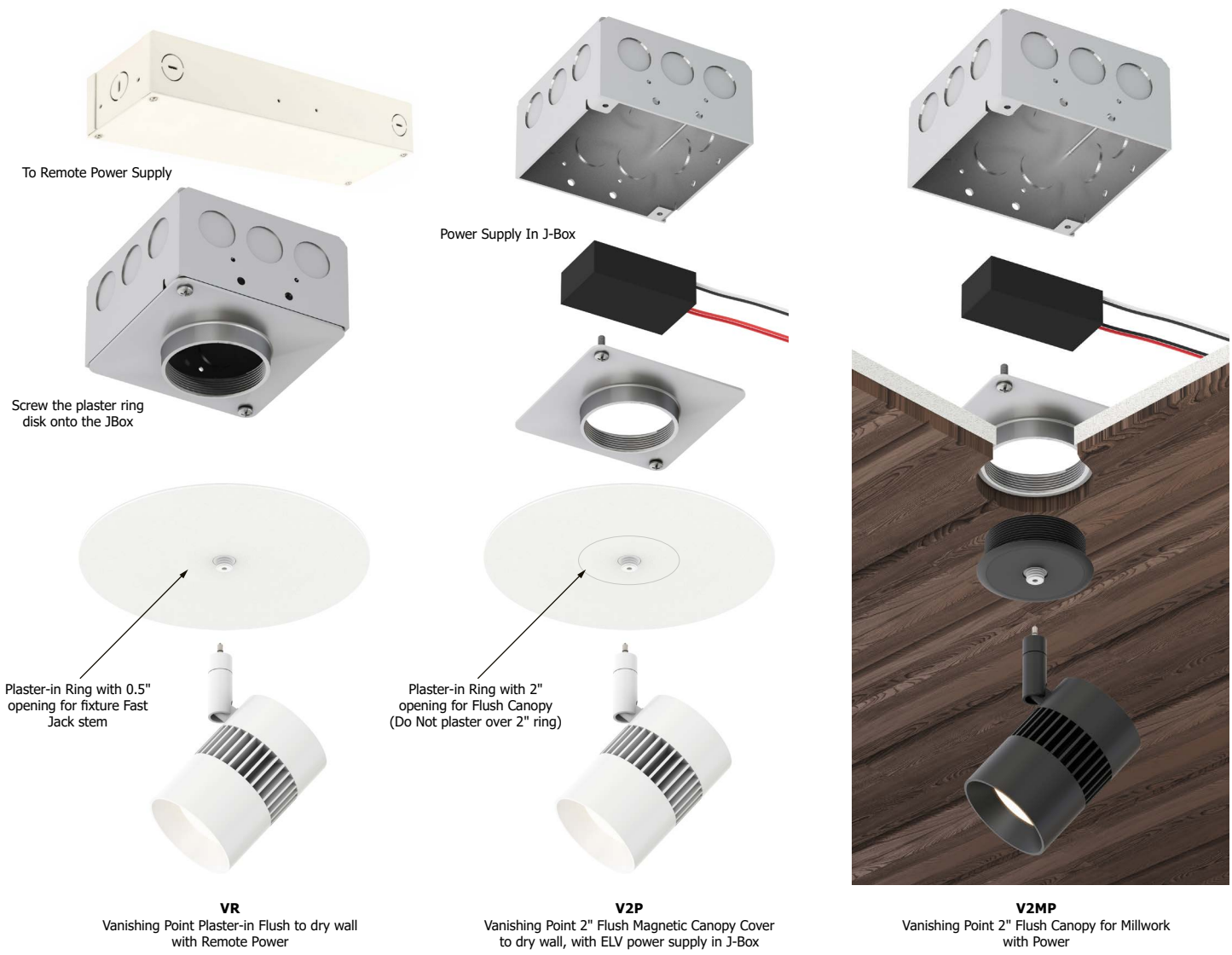
System: **VR** - Type: **FJ24** - Fixture: **RADM** - Head / Beam Spread Lens: **FL** - Color Temperature: **30K** - Finish: **WH**

**VR** Vanishing Point Drywall (Plaster-in) with .5" opening. Remote Power supply (order separately) Title 24  
**FJ24** Fast Jack 24VAC  
**RADM** Radiant Medium  
**SP** Spot 20°  
**FL** Flood 40°  
**WF** Wide Flood 60°  
**24K** 2400K  
**27K** 2700K  
**30K** 3000K  
**30D** 3000K Warm Dim to 1800K  
**35K** 3500K  
**BK** Black  
**WH** White\*  
 \*Not available with Millwork

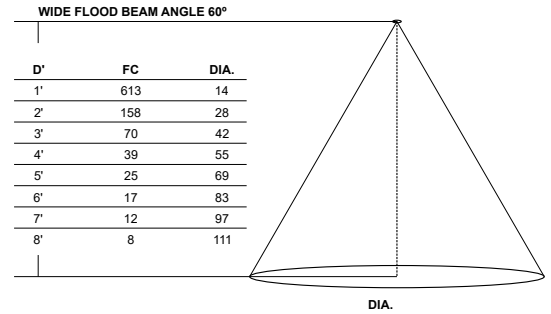
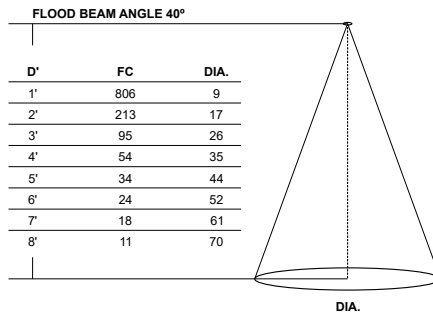
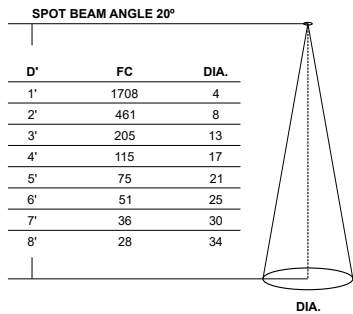
PROJECT	FIXTURE TYPE	DATE
---------	--------------	------

# VANISHING POINT RADIANT MEDIUM LED 24VDC TRACK HEAD

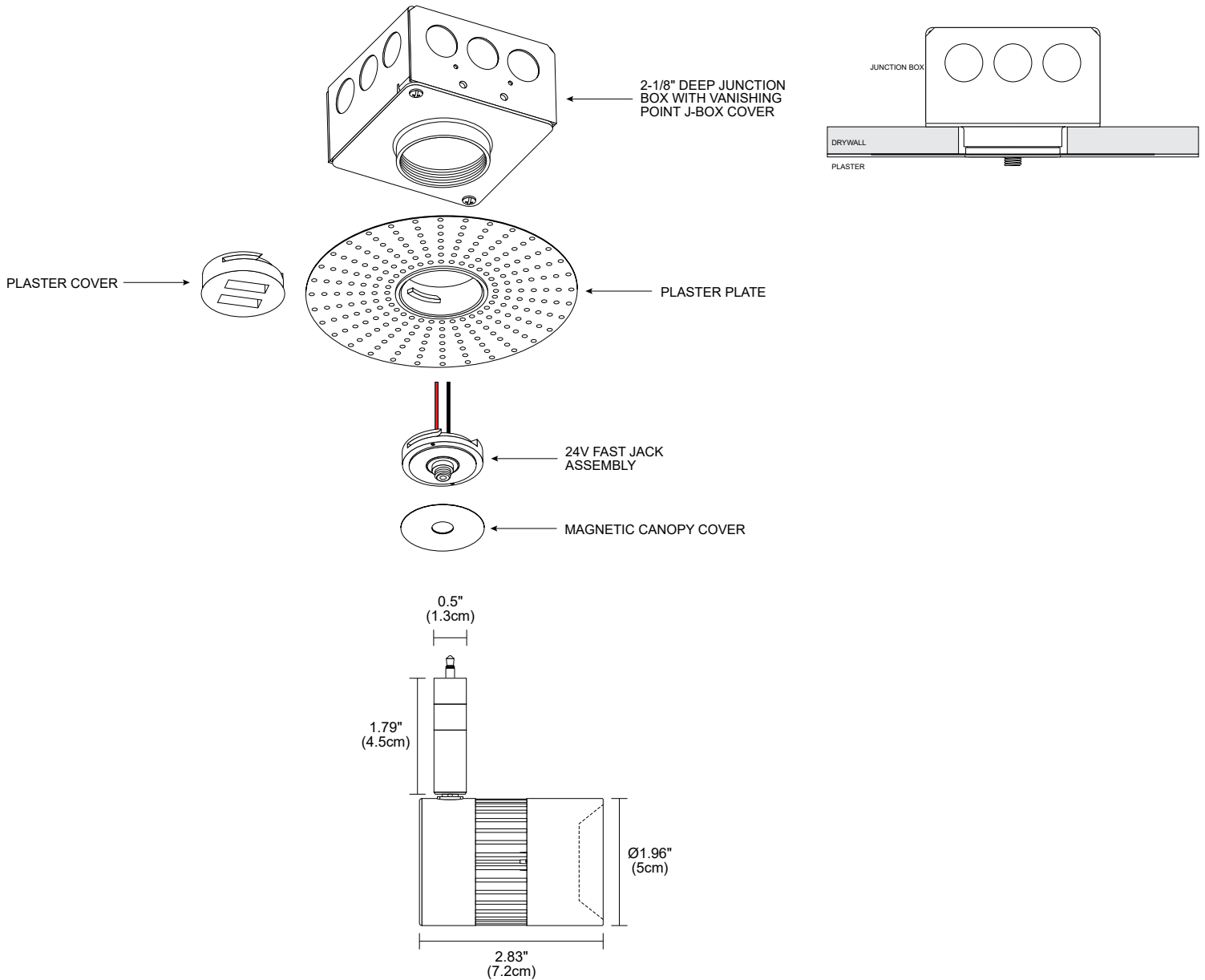
REV 10.21.20




D - Distance from RADIANT MEDIUM fixture  
 FC - Initial foot candles at the center of beam  
 DIA - Diameter




PROJECT	FIXTURE TYPE	DATE
---------	--------------	------







### FILM LENS ACCESSORIES



FILM LENS SOFT FOCUS	
DIFFUSES A BEAM PATTERN TO PROVIDE EVEN ILLUMINATION	
PRODUCT	RADIANT MEDIUM 
ORDERING CODE	LF-RADM-SF

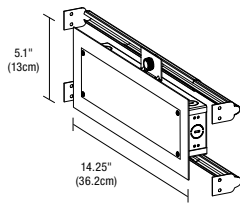
FILM LENS LINEAR SPREAD	
LINEAR SPREAD LENS DIRECTS LIGHT THROUGH 10° / 15° / 25° DEGREE BEAM LENS CREATING AN ELONGATED SHAPE, USED FOR LONG RECTANGLE PAINTINGS OR ART WORK. LINEAR SPREAD LENS DIRECTS LIGHT THROUGH 35° / 40° / 60° DEGREE BEAM LENS CREATING AN ELONGATED OVAL SHAPE, USED IN ART WORK AND WALL WASH APPLICATIONS.	
PRODUCT	RADIANT MEDIUM 
ORDERING CODE	LF-RADM-SF

RADIANT MEDIUM	ORDERING CODE
20° BEAM SPREAD	REF-1.75-SP
40° BEAM SPREAD	REF-1.75-FL
60° BEAM SPREAD	REF-1.75-WF

PROJECT		FIXTURE TYPE		DATE	
---------	--	--------------	--	------	--

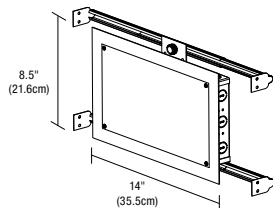
0-10 VOLT (010) POWER SUPPLIES & RECOMMENDED DIMMERS†				
ORDERING CODE	PSB-25W-010-24VDC 	PSB-60W-010-24VDC 	PSB-96W-010-24VDC 	PSB-2X96W-010-24VDC 
SPECIFICATIONS				
MAXIMUM LOAD	25W	60W	96W	2X96W
INPUT VOLTAGE	120VAC	120-277VAC	120-277VAC	120-277VAC
OUTPUT VOLTAGE	24VDC	24VDC	24VDC	24VDC
DIMENSIONS	12.4" X 3.12" X 2.18"	12.4" X 3.12" X 2.18"	12.4" X 3.12" X 2.18"	12.15" X 6.48" X 2.18"
CLASSIFICATION	CLASS 2	CLASS 2	CLASS 2	CLASS 2
IN-WALL MOUNTING	PSB-25W-010-24VDC-IW	PSB-60W-010-24VDC-IW	PSB-96W-010-24VDC-IW	PSB-2X96W-010-24VDC-IW

0-10 VOLT (010) POWER SUPPLIES & RECOMMENDED DIMMERS†			
ORDERING CODE	PSB-3X96W-010-24VDC 	PSB-4X96W-010-24VDC 	
SPECIFICATIONS			
MAXIMUM LOAD	3X96W	4X96W	
INPUT VOLTAGE	120-277VAC	120-277VAC	
OUTPUT VOLTAGE	24VDC	24VDC	
DIMENSIONS	14" X 10" X 3"	17" X 13" X 3"	
CLASSIFICATION	CLASS 2	CLASS 2	
IN-WALL MOUNTING	N/A	N/A	
DIMMING & CONTROLS			
PHILIPS SUNRISE: SR1200ZTUNV	•	•	
LUTRON DIVA: DVTV-WH, DVSTV-WH	•	•	
LUTRON NOVA T: NTSTV-DV-XX	•	•	
LUTRON GRAFIX EYE QS: QSGRJ-XP	•	•	
LUTRON RADIO RA2: RRD-10ND	•	•	
LEVITON: LEV40050	•	•	
LEVITON IP710-LFZ	•	•	
LEGRAND: ADPD4FBL3P2W4	•	•	



**5.1 x 14.25 inch In-Wall Mounting Kit:** Includes power supply, box cover and stud hangers for installing Junction Box in wall. Select "IW" in the options section of compatible power supply ordering codes if an In-Wall Mounting Kit is needed.

**Ordering Codes:** PSB-25W-010-24VDC-IW, PSB-60W-010-24VDC-IW, PSB-96W-010-24VDC-IW



**8.5 x 14 inch In-Wall Mounting Kit:** Includes power supply, box cover and stud hangers for installing Junction Box in wall. Select "IW" in the options section of compatible power supply ordering codes if an In-Wall Mounting Kit is needed.

**Ordering Codes:** PSB-2X96W-010-24VDC-IW

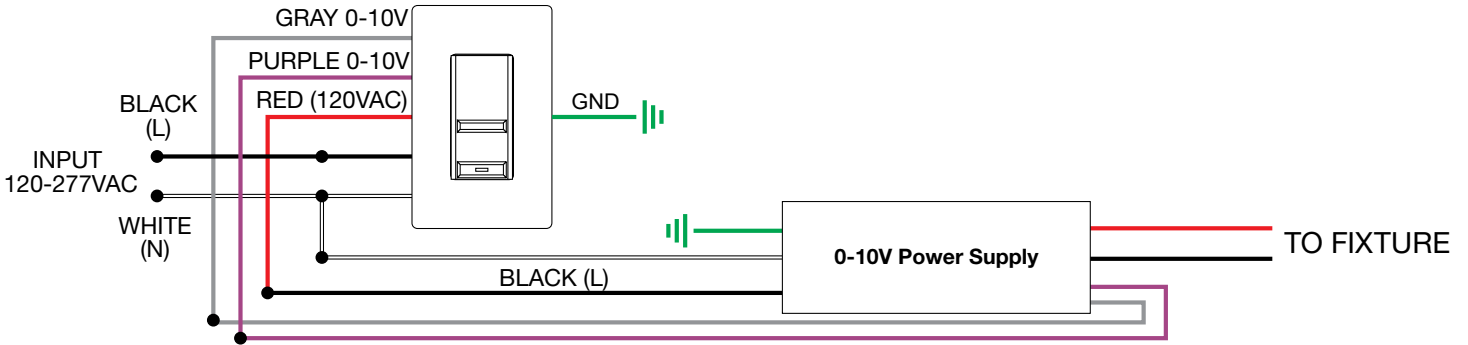
PROJECT		FIXTURE TYPE		DATE	
---------	--	--------------	--	------	--

**SAMPLE WIRING DIAGRAMS 24VDC 010**

**Application:** 0-10V Dimming Applications For Static White and Warm Dim 0-10V Dual Dimming.

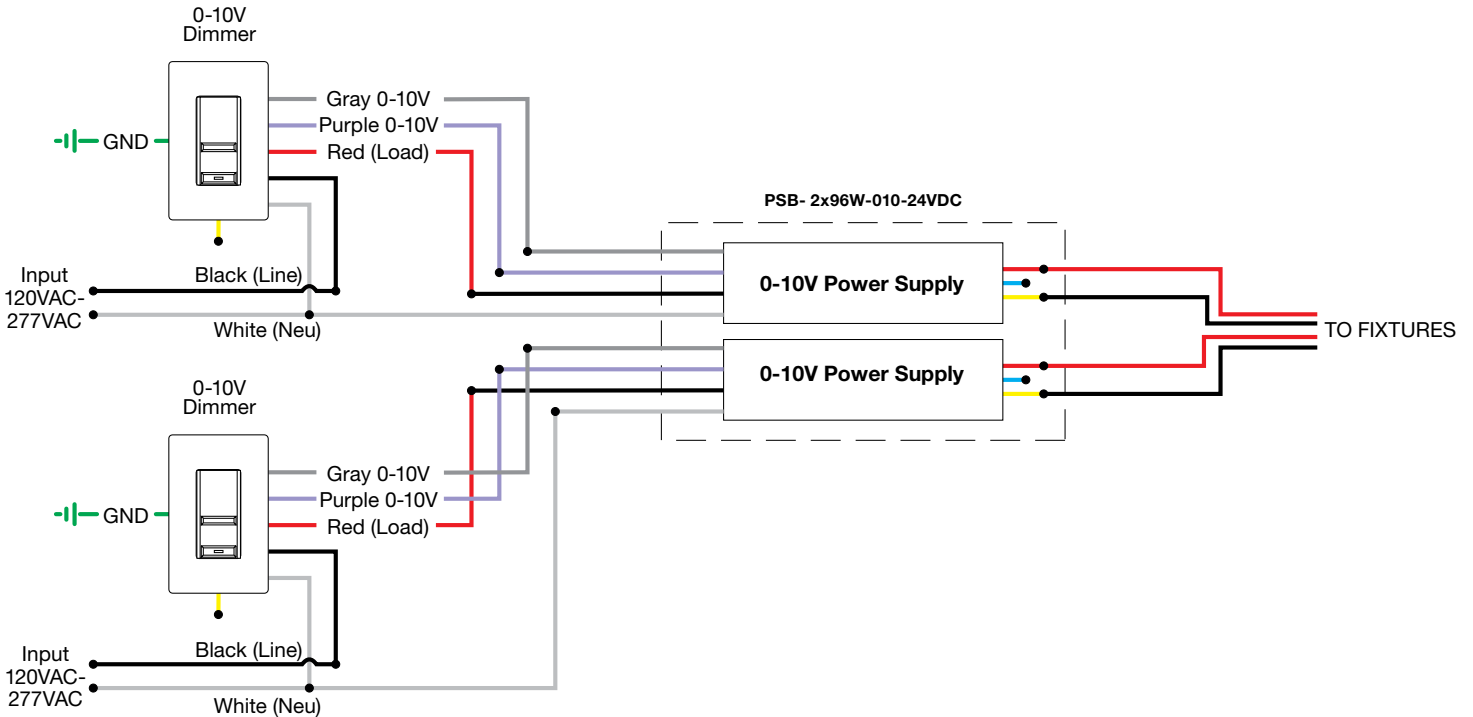
**Dimming:** Dimmable with 0-10V dimmers: Signify (Phillips) Sunrise: SR1200ZTUNV, Leviton Dimmers: LEV40050, IP710-LFZ, \*IP710-DLZ \*(Built in LED locator light) Legrand Dimmer: ADPD4FBL3P2W4 Lutron Systems: Lutron GRAFIX Eye QS Main Unit (with DRX-TVI) Radio Ra2 (with GRX-TVI)

**0-10V DIMMER**

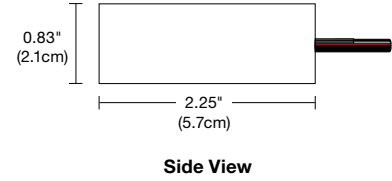
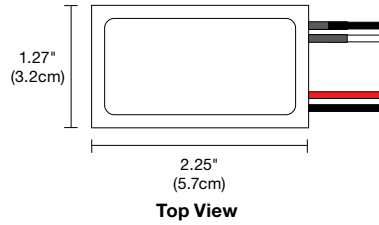
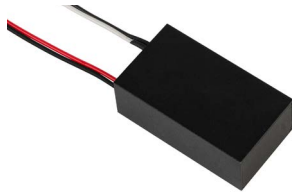


**Application:** Dual 0-10V dimming for Dynamic/Tunable White 2000K-4000K

**Dimming:** Dimmable with Dual 0-10V dimmers: Signify (Phillips) Sunrise: SR1200ZTUNV, Leviton Dimmers: LEV40050, IP710-LFZ, \*IP710-DLZ \*(Built in LED locator light), Legrand Dimmer: ADPD4FBL3P2W4, Lutron Systems: Lutron GRAFIX Eye QS Main Unit (with DRX-TVI) Radio Ra2 (with GRX-TVI)



PROJECT	FIXTURE TYPE	DATE
---------	--------------	------



**DESCRIPTION**

Compact, lightweight remote electronic 60W/24V LED Power Supply\* converts standard 120VAC voltage to 24VDC and features built-in short-circuit protection. The low voltage output may be dimmed using an electronic low voltage dimmer. The Power Supply is certified to be used inside a standard Junction Box enclosure. Power Supply features short circuit and overload protection. Indoor applications only.

*\*Electrical Panels using Siemens/Murray AFCI breakers are not compatible with this ELV transformer. Use 0-10 Volt power supplies with this breaker.*

**POWER INPUT** 120 volts AC, 60Hz

**POWER OUTPUT** Class 2; 24 volts DC 2.5A 60 watt maximum

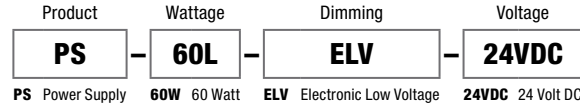
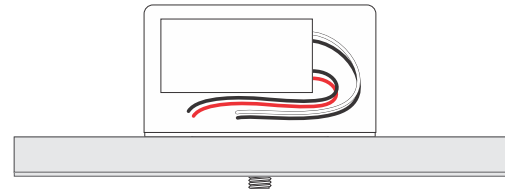
**DIMENSIONS** 2.25" x 1.25" x 0.83"

**DIMMER TYPE** Electronic Low Voltage Dimmer Lutron: Diva #DVELV-300P; Skylark #SELV-300P; Maestro #MAELV-600

**APPLICATIONS**

Indoor\*

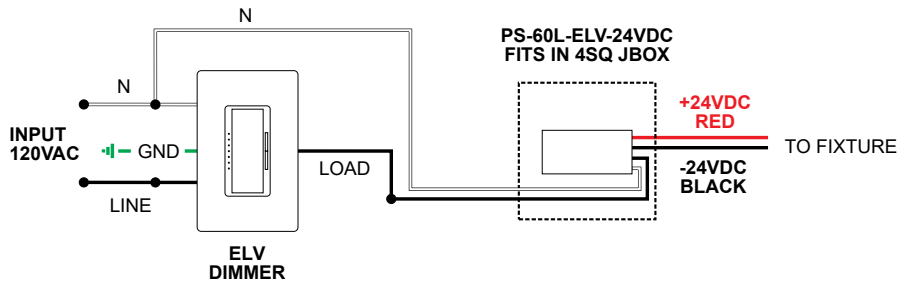
To avoid overheating the power supply, install it in a ventilated remote location where air flows. Maintain proper spacing among power supplies when multiple power supplies are installed in the same remote location.



**SAMPLE WIRING DIAGRAMS 24VDC ELV**

**Application:** ELV dimming for Static White

**Dimming:** Dimmable with ELV dimmer: Legrand, Adorne ADTP703TU; Lutron: Diva DVELV-300P, Skylark SELV-300P, Maestro MAELV-600 and Radio Ra 2



PROJECT		FIXTURE TYPE		DATE	
---------	--	--------------	--	------	--



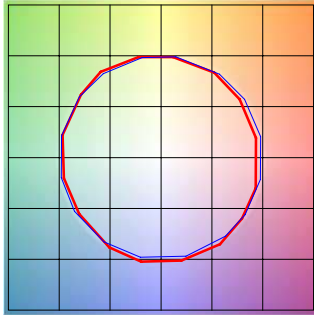
# T24 TRACK HEAD TM30 DATA

## LED 24VDC TRACK HEAD

**TM-30-15 DATA:** The data below is for Radiant Medium. Consistent color temperatures among multiple track heads is possible through a 3 phase binning process in which each order is inspected with a color meter to ensure uniformity.

**2400K** | Rf: 91.0 | Rg: 99.6

Color Vector Graphic

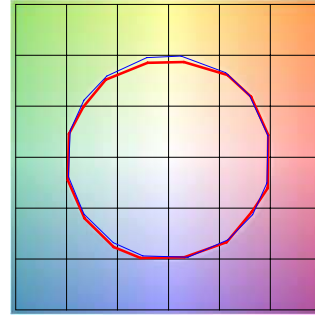


■ Test ■ Reference

		GRAPHIC SHIFTS %	
HUE BIN	Rf	CHROMA	HUE
1	90.1	-4.6%	-0.3%
2	90.6	-4.0%	2.7%
3	88.6	-1.6%	5.1%
4	93.1	-0.9%	2.7%
5	94.6	1.1%	3.3%
6	94.6	2.9%	1.0%
7	94.1	-0.2%	-2.7%
8	97.1	-0.9%	-1.2%
9	94.5	-2.4%	1.0%
10	90.3	-2.5%	4.5%
11	88.6	1.5%	7.1%
12	89.2	4.1%	1.5%
13	90.6	3.4%	-5.3%
14	84.5	3.5%	-8.9%
15	92.3	-0.5%	-4.7%
16	85.4	-2.9%	-9.4%

**2700K** | Rf: 93.3 | Rg: 98.8

Color Vector Graphic

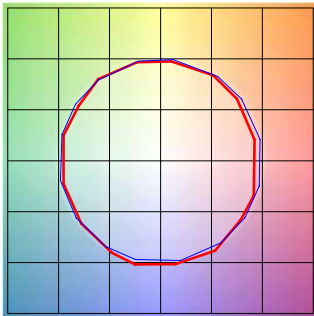


■ Test ■ Reference

		GRAPHIC SHIFTS %	
HUE BIN	Rf	CHROMA	HUE
1	95.9	0.3%	0.7%
2	95.5	0.6%	-2.0%
3	93.7	-0.8%	-2.8%
4	89.8	-5.2%	-4.0%
5	93.1	-5.2%	0.2%
6	93.9	-2.4%	2.9%
7	89.0	-3.1%	5.5%
8	93.6	0.5%	3.7%
9	92.9	1.2%	3.8%
10	92.7	2.0%	3.9%
11	93.7	3.2%	2.9%
12	93.7	2.7%	-1.8%
13	94.9	-0.7%	-3.4%
14	94.7	1.3%	-2.4%
15	92.9	-2.1%	2.0%
16	92.2	1.7%	-5.0%

**3000K** | Rf: 90.5 | Rg: 98.0

Color Vector Graphic

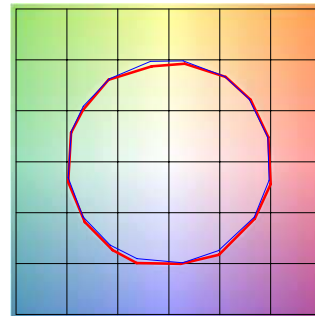


■ Test ■ Reference

		GRAPHIC SHIFTS %	
HUE BIN	Rf	CHROMA	HUE
1	88.7	-5.3%	0.5%
2	90.7	-3.6%	2.8%
3	89.4	-1.7%	4.6%
4	93.3	-2.1%	1.4%
5	94.6	-0.8%	2.2%
6	96.2	0.6%	-0.2%
7	92.5	-3.4%	-0.9%
8	96.4	-1.7%	0.5%
9	92.0	-2.4%	3.7%
10	87.3	-1.1%	7.1%
11	87.6	1.7%	8.2%
12	89.2	4.8%	0.4%
13	90.6	2.5%	-5.7%
14	86.7	3.3%	-9.0%
15	90.9	-2.4%	-3.9%
16	84.1	-3.5%	-10.3%

**3500K** | Rf: 93.9 | Rg: 100.9

Color Vector Graphic

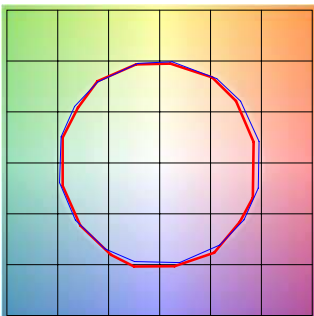


■ Test ■ Reference

		GRAPHIC SHIFTS %	
HUE BIN	Rf	CHROMA	HUE
1	95.7	0.6%	0.3%
2	96.7	0.8%	-1.2%
3	96.0	0.2%	-1.0%
4	94.3	-2.5%	-1.9%
5	93.2	-4.8%	-0.2%
6	97.1	-0.3%	1.4%
7	93.8	-1.7%	3.2%
8	97.3	0.2%	1.3%
9	93.3	0.8%	4.2%
10	91.4	1.4%	5.2%
11	90.6	2.8%	4.5%
12	92.6	4.4%	0.5%
13	96.3	0.7%	-1.9%
14	93.9	3.6%	-1.8%
15	92.4	1.2%	-0.9%
16	91.5	2.3%	-3.3%

**3000D** | Rf: 90.5 | Rg: 98.0

Color Vector Graphic



■ Test ■ Reference

		GRAPHIC SHIFTS %	
HUE BIN	Rf	CHROMA	HUE
1	88.7	-5.3%	0.5%
2	90.7	-3.6%	2.8%
3	89.4	-1.7%	4.6%
4	93.3	-2.1%	1.4%
5	94.6	-0.8%	2.2%
6	96.2	0.6%	-0.2%
7	92.5	-3.4%	-0.9%
8	96.4	-1.7%	0.5%
9	92.0	-2.4%	3.7%
10	87.3	-1.1%	7.1%
11	87.6	1.7%	8.2%
12	89.2	4.8%	0.4%
13	90.6	2.5%	-5.7%
14	86.7	3.3%	-9.0%
15	90.9	-2.4%	-3.9%
16	84.1	-3.5%	-10.3%

PROJECT		FIXTURE TYPE		DATE	
---------	--	--------------	--	------	--

# VANISHING POINT RADIANT LARGE LED 24VDC TRACK HEAD

DESIGNED BY GREGORY KAY | ASSEMBLED IN AMERICA | PATENT PENDING

REV 10.21.20



**VR**

Vanishing Point .5" Opening Plaster-In, Remote Power supply (Order separately)



**V2P**

Vanishing Point 2" Flush Canopy to dry wall, with ELV power supply in J-Box



**V2MP**

Vanishing Point 2" Flush Canopy for Millwork Ceiling, with ELV power supply in J-Box

## DESCRIPTION

The Vanishing Point System Radiant Large offers four distinct mounting options for drywall and millwork, allowing for the most minimal and refined architecture in any environment. The Radiant Large LED track head is offered with your choice of four beam spreads as well as three optical reflectors that can be changed in the field to adjust the beam angle. The flat-back cylinder with a radiant heat sink swivels 90° vertically and 360° horizontally. Available in 5 color temperatures, including Warm Dim (30D) and two finish options to choose from. 97+CRI produces Designer grade color rendering alongside maximum light output in a small package. Remote power supply can feed over 20 fixtures. Patent Pending.

## DRYWALL APPLICATIONS (PLASTER-IN):

**VR** - Remote Power Supply does not have a visible canopy line, just the small (1/2") point of connection where the fixture stem disappears into the ceiling. 24VDC remote power supply (Order Separately) can feed over 20 fixtures. Title 24.

**V2P** - ELV power supply fits within the junction box. The plaster-in and paint plate allows for the slightest outline of the 2.0" Flush, Magnetic Canopy Cover. 24 VDC/50W IC or 60W Non-IC ELV.

## MILLWORK APPLICATIONS:

**V2MR** - 2" canopy sits flush in Millwork for a clean look with 24VDC remote power supply (Order Separately) can feed over 20 fixtures. Title 24.

**V2MP** - 2" canopy sits flush in Millwork with included ELV power supply that fits inside J-BOX. Available in Black, 24 VDC/50W IC or 60W Non-IC ELV.

## OPTIONAL REFLECTORS

Field adjustable single optic reflector gives a smooth uniform beam at 15° / 25° / 40° / 60° beam spread options

## APPLICATIONS

Designed for indoor use only in drywall and millwork. Ideal applications in Commercial, Retail, Residential, Hospitality, Education, and Healthcare Institutions.

## POWER SUPPLIES & DIMMING\*

Input Voltage 120VAC/24VDC

Power Consumption: 14.3-16 watts

**VR / V2MR:** Remote Power Class 2 wiring, 0-10V Dimming, up to 100 Watts

**V2P / V2MP:** 50W IC or 60W Non-IC ELV (power supply inside J-box) ELV Dimming only

\*Remote power supplies are ordered separately

## SPECIFICATIONS

Construction: Billet Aluminum

Aim/Adjustment: 90° Tilt, 360° Rotation

Color Rendering: COB Chromaticity range within a 2-step MacAdam Ellipse

Average LED life: 60,000 hrs

## LAMPING DATA

COLOR TEMPERATURE	BEAM ANGLE REFERENCE 40°				
	24K	27K	30K	30D	35K
TOTAL LUMENS	1209	1106	1128	787	1235
WATTS	14.3	14.2	15	16.3	14.36
LUMENS PER WATT (lm/w)	84.5	77.7	75	48	86
CRI	92	97	82	97.6	97
TM-30 DATA	R9: 60 Rf: 91 Rg: 99	R9: 98 Rf: 93 Rg: 98.8	R9: 89 Rf: 82 Rg: 96.9	R9: 88.4 Rf: 94.5 Rg: 102.5	R9: 91 Rf: 93.9 Rg: 101
LAMP LIFE	60,000 Hours, 70% Lumen Maintenance				

## WARRANTY / LABELS

Pro-rated 5 year warranty. Assembled in America. ETL Intertek (Conforms to UL1598 and CSA 22.2 #250.0) RoHs, Title 24 (Remote power supplies only)

## FINISHES



Black  
**BK**

White  
**WH**

System

Type

Fixture

Fixture Beam Spread Lens

Color Temperature

Finish

<b>VR</b>	<b>FJ24</b>	<b>RADL</b>	<b>NF</b>	<b>30K</b>	<b>WH</b>
-----------	-------------	-------------	-----------	------------	-----------

**VR** Vanishing Point 0.5" Connector In Drywall, No Outline of Canopy at connection point, Remote Power Supply (sold separately) Title 24

**V2P** Vanishing Point, Slight Outline of 2" Flush, Magnetic Canopy Cover to dry wall, with ELV power supply in J-Box

**V2MR** Vanishing Point 2" Flush canopy for Millwork ceiling with, Remote Power Supply (sold separately) Title 24

**V2MP** Vanishing Point 2" Flush canopy for Millwork ceiling with ELV power supply in J-Box

**FJ24** Fast Jack 24VDC Connector

**RADL** Radiant Large

**SP** Spot 15°

**NF** Narrow Flood 25°

**FL** Flood 40°

**WF** Wide Flood 60°

**24K** 2400K

**27K** 2700K

**30K** 3000K

**30D** 3000K Warm Dim to 1800K

**35K** 3500K

**BK** Black

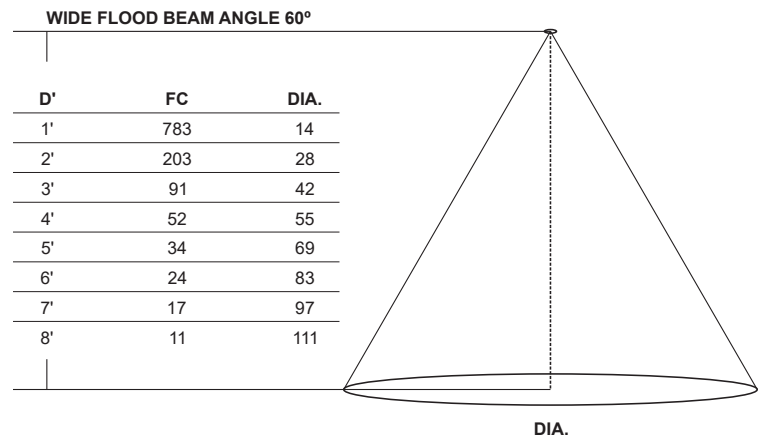
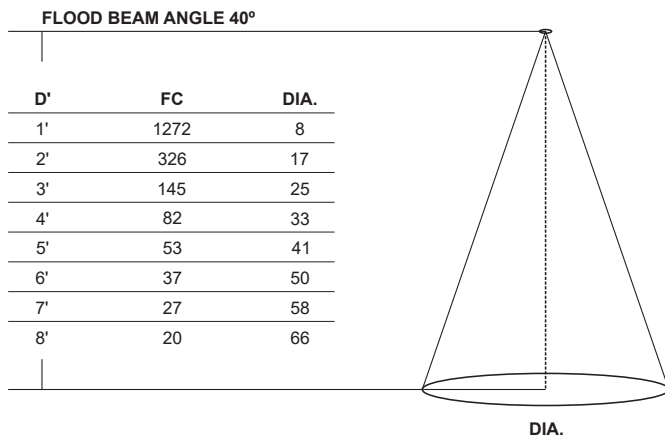
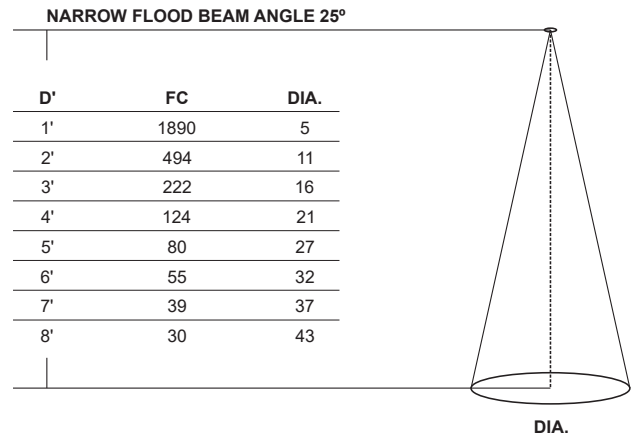
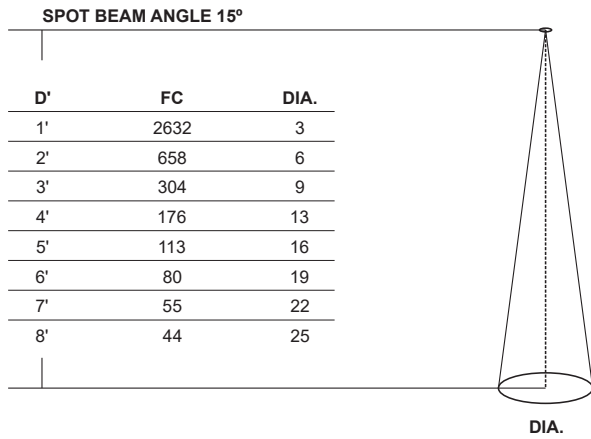
**WH** White\*

\*Not available with Millwork



PROJECT	FIXTURE TYPE	DATE
---------	--------------	------



**D** - Distance from RADIANT LARGE fixture  
**FC** - Initial foot candles at the center of beam  
**DIA** - Diameter



### ADDITIONAL LENSES & ACCESSORIES

FILM LENS SOFT FOCUS		FILM LENS LINEAR SPREAD	
DIFFUSES A BEAM PATTERN TO PROVIDE EVEN ILLUMINATION		LINEAR SPREAD LENS DIRECTS LIGHT THROUGH 10° / 15° / 25° DEGREE BEAM LENS CREATING AN ELONGATED SHAPE, USED FOR LONG RECTANGLE PAINTINGS OR ART WORK. LINEAR SPREAD LENS DIRECTS LIGHT THROUGH 35° / 40° / 60° DEGREE BEAM LENS CREATING AN ELONGATED OVAL SHAPE, USED IN ART WORK AND WALL WASH APPLICATIONS.	
PRODUCT	 RADIANT LARGE	PRODUCT	 RADIANT LARGE
ORDERING CODE	LF-RADL-SF	ORDERING CODE	LF-RADL-LS

RADIANT LARGE	ORDERING CODE
15° BEAM SPREAD	REF-1.75-SP
25° BEAM SPREAD	REF-1.75-NF
40° BEAM SPREAD	REF-1.75-FL
60° BEAM SPREAD	REF-1.75-WF

PROJECT		FIXTURE TYPE		DATE	
---------	--	--------------	--	------	--

# VANISHING POINT RADIANT LARGE LED 24VDC TRACK HEAD



To Remote Power Supply



Screw the plaster ring disk onto the J-Box



Plaster-in Flush Ring with 0.5" opening for fixture Fast Jack stem

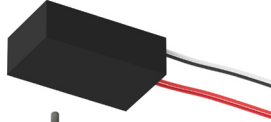


**VR**

Vanishing Point Plaster-in Flush to dry wall, with remote power supply



Power Supply In J-Box

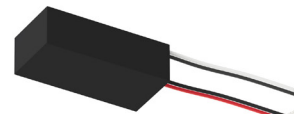
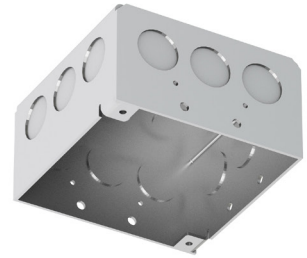


Plaster-in Ring with 2" Magnetic, Flush to drywall Canopy Cover (Do Not plaster over 2" ring)



**V2P**

Vanishing Point 2" Flush Magnetic Canopy Cover to dry wall, with Power Supply in J-Box



**V2MP**

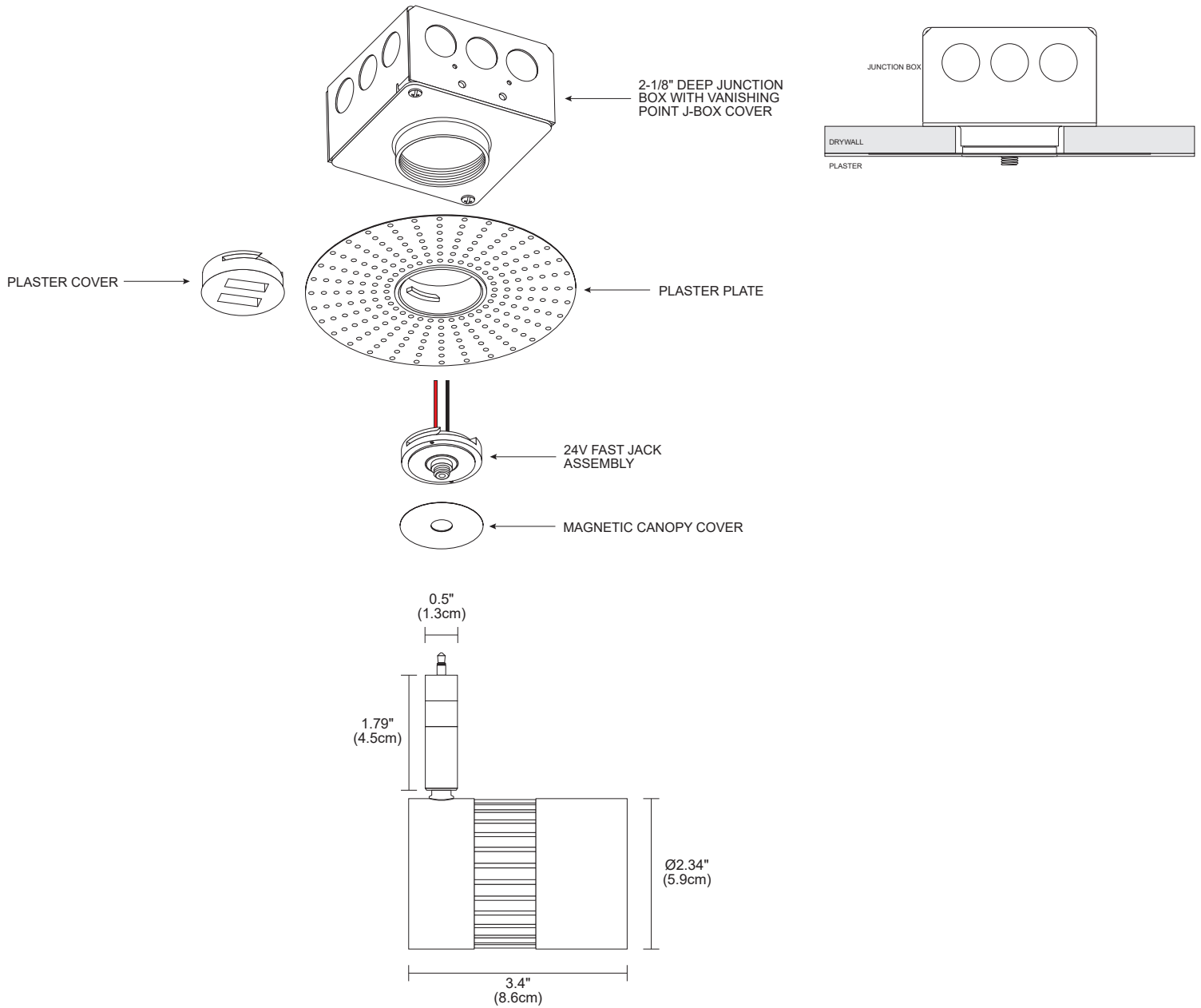


Vanishing Point 2" Flush Canopy for Millwork with Power in J-Box





PROJECT		FIXTURE TYPE		DATE	
---------	--	--------------	--	------	--



# VANISHING POINT RADIANT LARGE

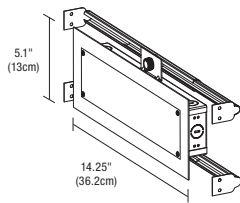
## LED 24VDC TRACK HEAD



PROJECT		FIXTURE TYPE		DATE	
---------	--	--------------	--	------	--

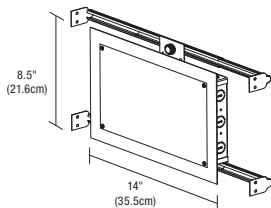
0-10 VOLT (010) POWER SUPPLIES & RECOMMENDED DIMMERS†				
ORDERING CODE	PSB-25W-010-24VDC 	PSB-60W-010-24VDC 	PSB-96W-010-24VDC 	PSB-2X96W-010-24VDC 
SPECIFICATIONS				
MAXIMUM LOAD	25W	60W	96W	2X96W
INPUT VOLTAGE	120VAC	120-277VAC	120-277VAC	120-277VAC
OUTPUT VOLTAGE	24VDC	24VDC	24VDC	24VDC
DIMENSIONS	12.4" X 3.12" X 2.18"	12.4" X 3.12" X 2.18"	12.4" X 3.12" X 2.18"	12.15" X 6.48" X 2.18"
CLASSIFICATION	CLASS 2	CLASS 2	CLASS 2	CLASS 2
IN-WALL MOUNTING	PSB-25W-010-24VDC-IW	PSB-60W-010-24VDC-IW	PSB-96W-010-24VDC-IW	PSB-2X96W-010-24VDC-IW

0-10 VOLT (010) POWER SUPPLIES & RECOMMENDED DIMMERS†			
ORDERING CODE	PSB-3X96W-010-24VDC 	PSB-4X96W-010-24VDC 	
SPECIFICATIONS			
MAXIMUM LOAD	3X96W	4X96W	
INPUT VOLTAGE	120-277VAC	120-277VAC	
OUTPUT VOLTAGE	24VDC	24VDC	
DIMENSIONS	14" X 10" X 3"	17" X 13" X 3"	
CLASSIFICATION	CLASS 2	CLASS 2	
IN-WALL MOUNTING	N/A	N/A	
DIMMING & CONTROLS			
PHILIPS SUNRISE: SR1200ZTUNV	•	•	
LUTRON DIVA: DVTV-WH, DVSTV-WH	•	•	
LUTRON NOVA T: NTSTV-DV-XX	•	•	
LUTRON GRAFIX EYE QS: QSGRJ-XP	•	•	
LUTRON RADIO RA2: RRD-10ND	•	•	
LEVITON: LEV40050	•	•	
LEVITON IP710-LFZ	•	•	
LEGRAND: ADPD4FBL3P2W4	•	•	



**5.1 x 14.25 inch In-Wall Mounting Kit:** Includes power supply, box cover and stud hangers for installing Junction Box in wall. Select "IW" in the options section of compatible power supply ordering codes if an In-Wall Mounting Kit is needed.

**Ordering Codes:** PSB-25W-010-24VDC-IW, PSB-60W-010-24VDC-IW, PSB-96W-010-24VDC-IW



**8.5 x 14 inch In-Wall Mounting Kit:** Includes power supply, box cover and stud hangers for installing Junction Box in wall. Select "IW" in the options section of compatible power supply ordering codes if an In-Wall Mounting Kit is needed.

**Ordering Codes:** PSB-2X96W-010-24VDC-IW

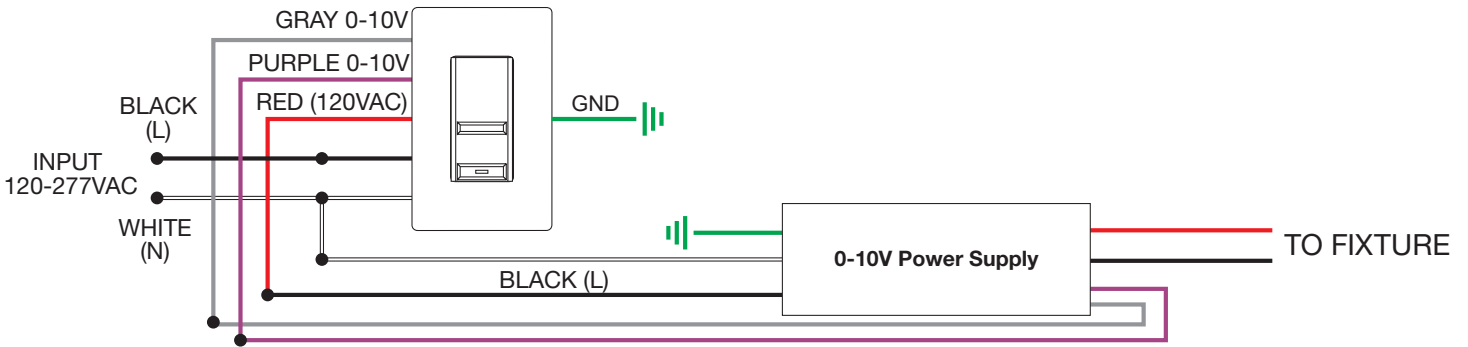
PROJECT		FIXTURE TYPE		DATE	
---------	--	--------------	--	------	--

**SAMPLE WIRING DIAGRAMS 24VDC 010**

**Application:** 0-10V Dimming Applications For Static White and Warm Dim 0-10V Dual Dimming.

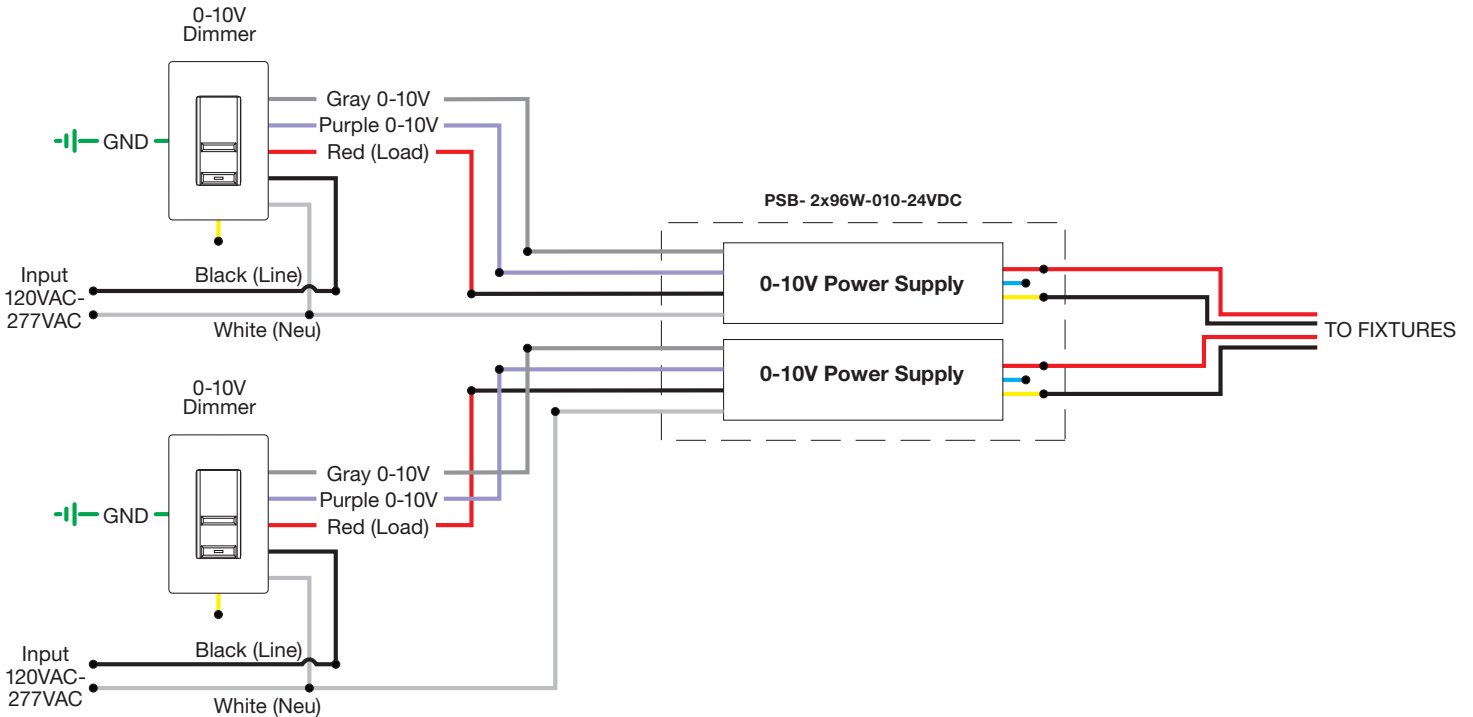
**Dimming:** Dimmable with 0-10V dimmers: Signify (Phillips) Sunrise: SR1200ZTUNV, Leviton Dimmers: LEV40050, IP710-LFZ, \*IP710-DLZ \*(Built in LED locator light) Legrand Dimmer: ADPD4FBL3P2W4 Lutron Systems: Lutron GRAFIX Eye QS Main Unit (with DRX-TVI) Radio Ra2 (with GRX-TVI)

**0-10V DIMMER**

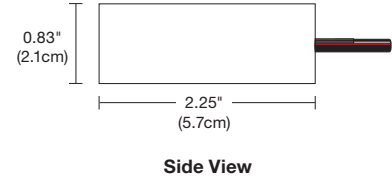
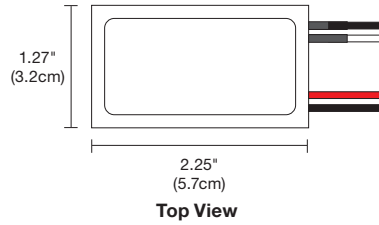
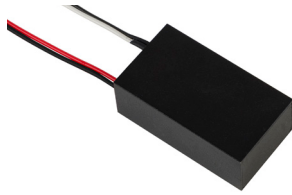


**Application:** Dual 0-10V dimming for Dynamic/Tunable White 2000K-4000K

**Dimming:** Dimmable with Dual 0-10V dimmers: Signify (Phillips) Sunrise: SR1200ZTUNV, Leviton Dimmers: LEV40050, IP710-LFZ, \*IP710-DLZ \*(Built in LED locator light), Legrand Dimmer: ADPD4FBL3P2W4, Lutron Systems: Lutron GRAFIX Eye QS Main Unit (with DRX-TVI) Radio Ra2 (with GRX-TVI)



PROJECT	FIXTURE TYPE	DATE
---------	--------------	------



**DESCRIPTION**

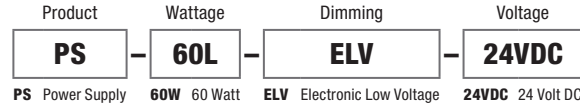
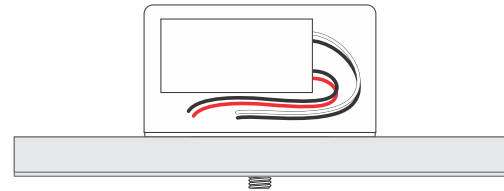
Compact, lightweight remote electronic 60W/24V LED Power Supply\* converts standard 120VAC voltage to 24VDC and features built-in short-circuit protection. The low voltage output may be dimmed using an electronic low voltage dimmer. The Power Supply is certified to be used inside a standard Junction Box enclosure. Power Supply features short circuit and overload protection. Indoor applications only.

*\*Electrical Panels using Siemens/Murray AFCI breakers are not compatible with this ELV transformer. Use 0-10 Volt power supplies with this breaker.*

**APPLICATIONS**

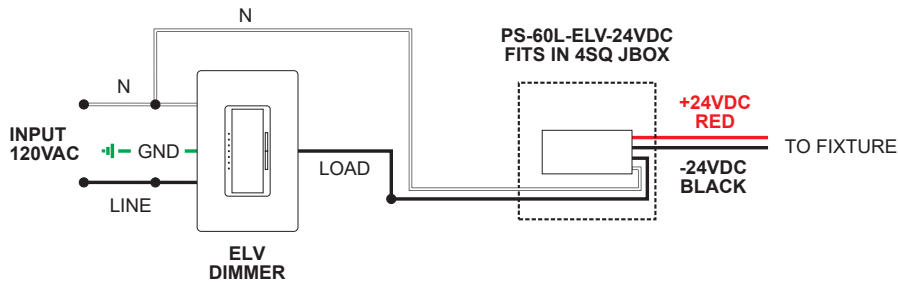
Indoor\*  
To avoid overheating the power supply, install it in a ventilated remote location where air flows. Maintain proper spacing among power supplies when multiple power supplies are installed in the same remote location.

- POWER INPUT** 120 volts AC, 60Hz
- POWER OUTPUT** Class 2; 24 volts DC 2.5A 60 watt maximum
- DIMENSIONS** 2.25" x 1.25" x 0.83"
- DIMMER TYPE** Electronic Low Voltage Dimmer Lutron: Diva #DVELV-300P; Skylark #SELV-300P; Maestro #MAELV-600



**SAMPLE WIRING DIAGRAMS 24VDC ELV**

- Application:** ELV dimming for Static White
- Dimming:** Dimmable with ELV dimmer: Legrand, Adorne ADTP703TU; Lutron: Diva DVELV-300P, Skylark SELV-300P, Maestro MAELV-600 and Radio Ra 2



PROJECT		FIXTURE TYPE		DATE	
---------	--	--------------	--	------	--



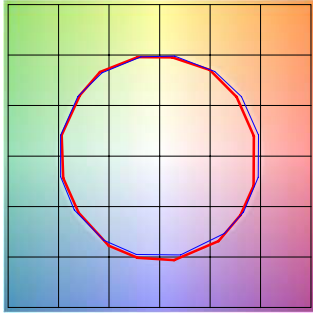
# T24 TRACK HEAD TM30 DATA

## LED 24VDC TRACK HEAD

**TM-30-15 DATA:** The data below is for Radiant Medium. Consistent color temperatures among multiple track heads is possible through a 3 phase binning process in which each order is inspected with a color meter to ensure uniformity.

### 2400K | Rf: 91.3 | Rg: 99.1

COLOR VECTOR GRAPHIC

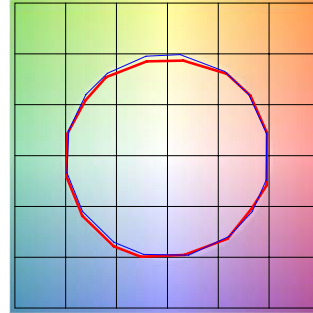


■ Test ■ Reference

		GRAPHIC SHIFTS %	
HUE BIN	Rf	CHROMA	HUE
1	90.1	-4.6%	0.0%
2	91.2	-4.0%	2.4%
3	88.7	-1.6%	4.7%
4	93.6	-1.7%	2.0%
5	94.8	0.2%	3.1%
6	95.3	2.0%	1.3%
7	94.9	-0.9%	-1.9%
8	97.5	-1.0%	-0.4%
9	94.2	-2.2%	1.7%
10	90.1	-2.2%	4.8%
11	88.8	1.9%	6.9%
12	89.7	3.2%	1.8%
13	90.0	3.8%	-7.3%
14	84.7	3.0%	-8.9%
15	92.5	-1.0%	-4.2%
16	85.7	-3.1%	-9.0%

### 2700K | Rf: 99.1 | Rg: 98.9

COLOR VECTOR GRAPHIC

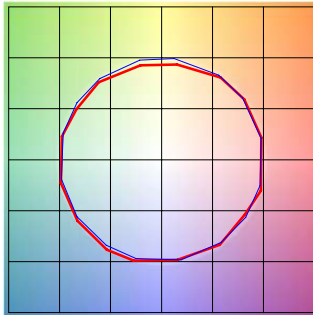


■ Test ■ Reference

		GRAPHIC SHIFTS %	
HUE BIN	Rf	CHROMA	HUE
1	95.7	0.4%	0.8%
2	95.3	0.7%	-2.0%
3	93.3	-0.7%	-3.0%
4	89.5	-5.3%	-4.2%
5	93.0	-5.4%	0.2%
6	93.6	-2.4%	3.2%
7	90.2	-2.6%	5.2%
8	93.3	0.8%	3.8%
9	92.5	1.4%	3.7%
10	93.2	2.4%	3.5%
11	94.0	3.3%	2.2%
12	93.1	2.7%	-2.5%
13	94.3	-0.9%	-3.9%
14	94.7	1.0%	-2.5%
15	92.6	-2.3%	-2.1%
16	92.4	1.5%	-4.7%

### 3000K | Rf: 90.8 | Rg: 99

COLOR VECTOR GRAPHIC

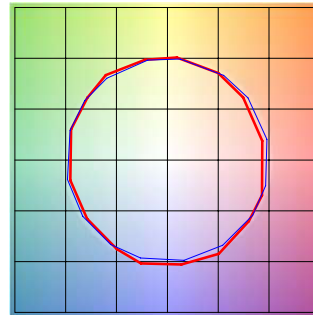


■ Test ■ Reference

		GRAPHIC SHIFTS %	
HUE BIN	Rf	CHROMA	HUE
1	95.9	0.3%	0.7%
2	95.5	0.6%	-2.0%
3	93.7	-0.8%	-2.8%
4	89.8	-5.2%	-4.0%
5	93.1	-5.2%	0.2%
6	93.9	-2.4%	2.9%
7	89.0	-3.1%	5.5%
8	93.6	0.5%	3.7%
9	92.9	1.2%	3.8%
10	92.7	2.0%	3.9%
11	93.7	3.2%	2.9%
12	93.7	2.7%	1.8%
13	94.9	-0.7%	-3.4%
14	94.7	1.3%	-2.4%
15	92.9	-2.1%	2.0%
16	92.2	1.7%	-5.0%

### 3000D | Rf: 90.8 | Rg: 100.1

COLOR VECTOR GRAPHIC

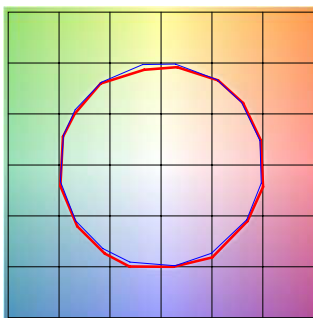


■ Test ■ Reference

		GRAPHIC SHIFTS %	
HUE BIN	Rf	CHROMA	HUE
1	90.0	-4.9%	-0.7%
2	90.7	-3.6%	3.1%
3	87.2	-1.1%	5.9%
4	92.7	1.0%	3.8%
5	93.8	0.9%	2.7%
6	94.2	3.0%	-0.7%
7	92.7	-0.5%	-3.6%
8	96.6	-0.8%	-1.5%
9	94.4	2.5%	1.4%
10	89.7	-2.3%	4.6%
11	87.3	0.5%	7.6%
12	89.9	5.2%	-1.5%
13	92.0	3.6%	-3.4%
14	87.6	4.7%	-7.7%
15	88.2	-0.0%	-6.9%
16	85.8	-1.8%	-10.0%

### 3500K | Rf: 93.6 | Rg: 100

COLOR VECTOR GRAPHIC



■ Test ■ Reference

		GRAPHIC SHIFTS %	
HUE BIN	Rf	CHROMA	HUE
1	95.3	0.9%	0.4%
2	96.1	1.0%	-1.4%
3	95.5	0.2%	-1.4%
4	93.6	-2.7%	-2.4%
5	92.7	-5.3%	-0.4%
6	97.0	-0.6%	1.5%
7	93.1	-1.9%	3.7%
8	96.9	0.2%	1.6%
9	92.8	1.0%	4.5%
10	91.1	1.7%	5.3%
11	90.7	3.0%	4.3%
12	92.5	4.5%	0.3%
13	96.3	0.5%	-2.0%
14	93.9	3.5%	-1.7%
15	92.2	1.2%	-0.6%
16	91.3	2.4%	-3.1%

PROJECT	FIXTURE TYPE	DATE
---------	--------------	------