



1718 W. Fullerton Chicago, IL 60614  
 Ph: 773.770.1195 • Fax: 773.935.5613  
 www.PureEdgeLighting.com • info@PureEdgeLighting.com  
 © 2016 PureEdge Lighting. All Rights Reserved.

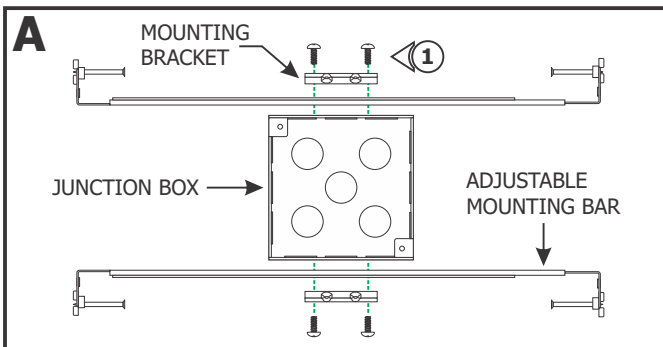
## Installation Instructions for **Vanishing Point 24 Volt Drywall Plaster-In Fast Jack Connection** V\_-FJ24\_-

### IMPORTANT INFORMATION

- This instruction shows a typical installation.
- This product is ceiling mount.

**SAVE THESE INSTRUCTIONS!**

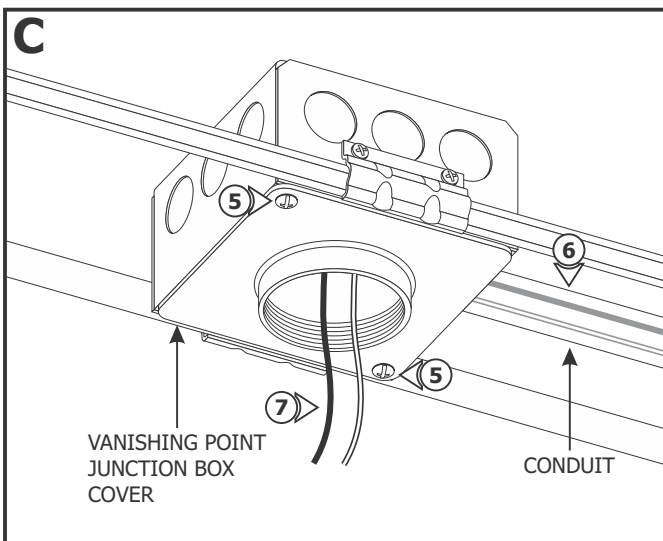
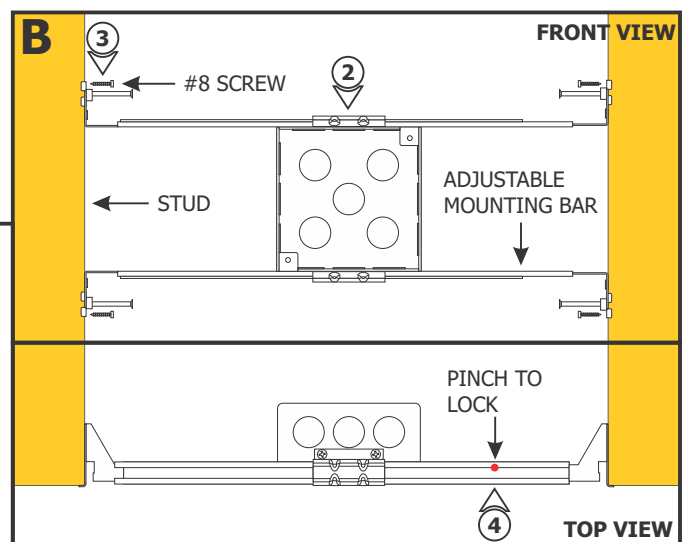
### Section One: Install the Junction Box



- 1:** Mount each adjustable mounting bar to one side of the junction box and secure them with the mounting brackets and two Phillips screws provided.

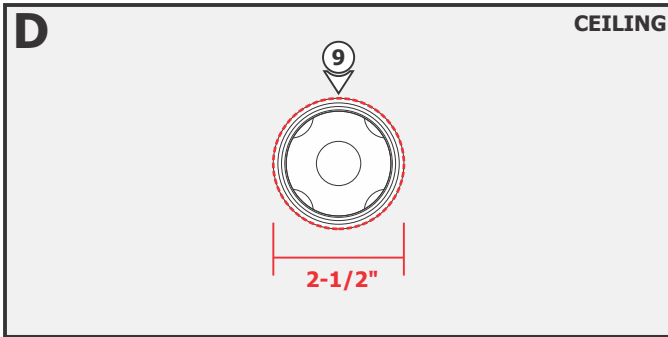
**NOTE:** Adjustable mounting bars mount to studs that are spaced 14.5" to 25" apart.

- 2:** Select the location between the two studs for the junction box to be mounted.
- 3:** Place the adjustable mounting bar tabs between the studs. Secure the adjustable bars to the studs with the #8 screws.
- 4:** Pinch anywhere on the inner edge of the mounting bars to lock in place.



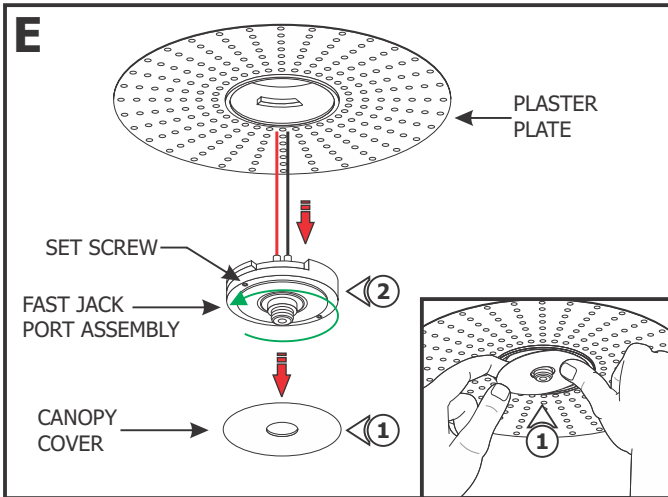
- 5:** Install the Vanishing Point junction box cover to the junction box using two #8-32 screws.
- 6:** Remove a knockout to install a conduit into the junction box. Install conduit(s) (if required by local electrical code).
- 7:** Run the line voltage wires to the junction box.
- 8:** If using remote power supply, then run the low-voltage 24V wires coming from the remote power supply to the junction box.

**NOTE:** Ensure remote power supply wires are present in the junction box. Refer to instructions provided with the power supply.



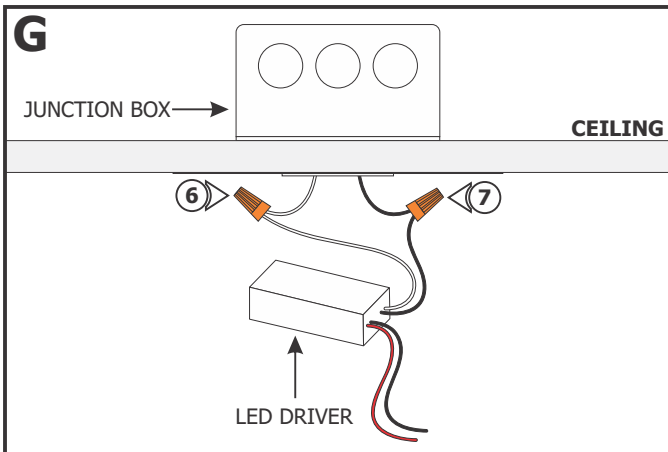
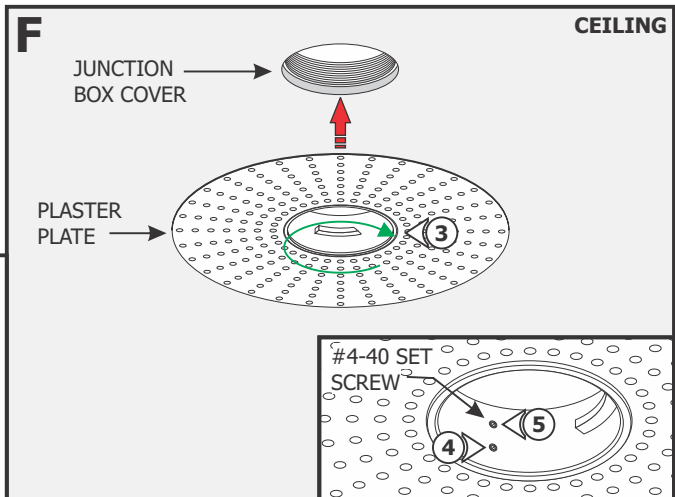
- 9:** Use a 2-1/2" hole saw to cut out the drywall section where the junction box opening is located.
- 10:** Install the drywall. If necessary, plaster and finish the drywall.

## Section Two: Install the Fixture

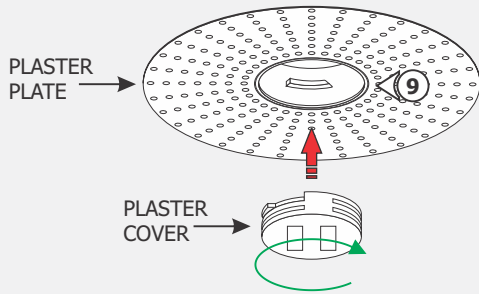


- 1:** Use fingers to push on the perimeter of the canopy cover until it slightly rocks and lift the cover to remove it from the assembly.
- 2:** Loosen (**Do Not Remove**) the #4-40 set screws on the Fast Jack Port assembly using a 0.05" Allen wrench and rotate the Fast Jack Port assembly counter clockwise to remove from the Plaster Plate.

- 3:** Screw the plaster plate clockwise into the junction box cover, ensuring the plate is tight.
- 4:** If the drywall is 5/8" thick, tighten the bottom #4-40 set screw inside the plaster plate using a 0.05" Allen wrench.
- 5:** If the drywall is 3/4" and thicker, tighten the top #4-40 set screw inside the plaster plate using a 0.05" Allen wrench.



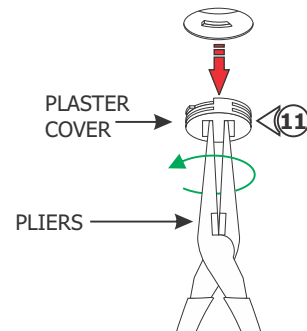
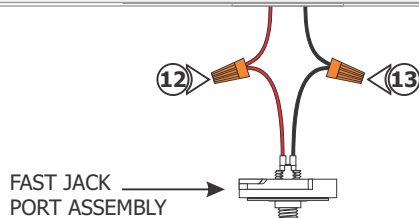
- NOTE:** Steps 6 through 8 are for the 24V power supply included inside the junction box. Omit these steps if using remote power supply.
- NOTE:** Make sure the junction box is grounded in accordance to local electrical codes.
- 6:** Connect the white LED driver wire to the neutral power wire with a wire nut.
- 7:** Connect the black LED driver wire to the hot power wire with a wire nut.
- 8:** Place the LED driver and wire nut connections inside the junction box.

**H****CEILING****9:** Rotate the plaster cover clockwise into the plaster plate.**10:** Plaster, sand and paint the surface.

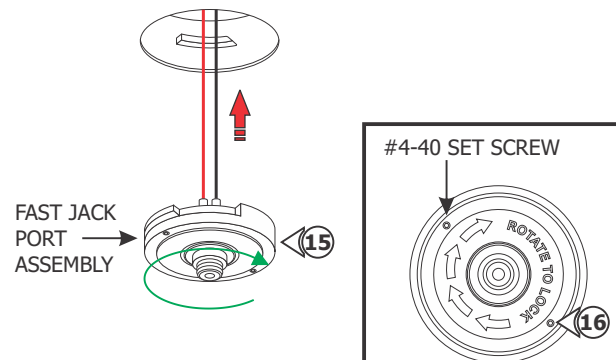
**NOTE:** For areas with lots of vibration, it is suggested to use Durabond to avoid cracking of plaster.

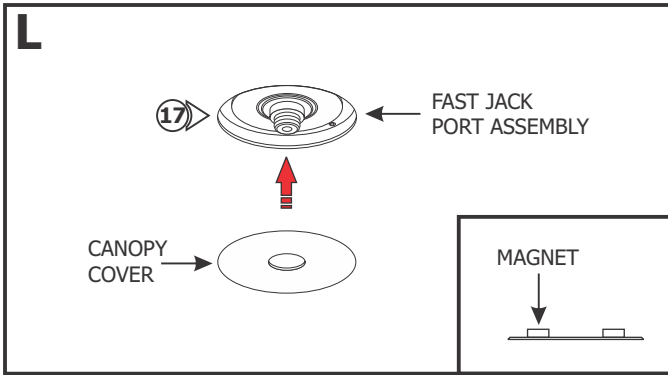
**NOTE:** **Do Not use premixed joint compound "Soft Mud."**  
**No use compuesto para juntas premezclado "Soft Mud."**

**NOTE:** Recommended plaster method: 1st Coat - Durabond 45 with 8" Blade, 2nd Coat - Easy Sand 45 with 10" Blade, 3rd Coat with 12" Blade

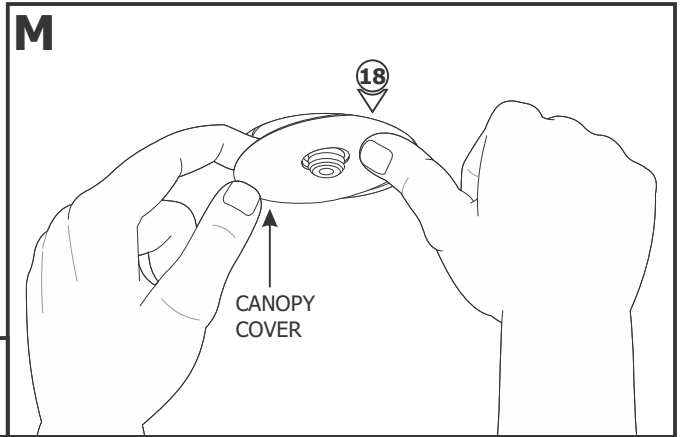
**I****11:** Use pliers to rotate the plaster cover counter clockwise and remove it. Clean the hole.**J****12:** Connect red wire of the Fast Jack Port assembly to the +24VDC power supply wire using a wire nut.**13:** Connect the black wire of the Fast Jack Port assembly to the -24VDC power supply wire using a wire nut.**14:** Place all wire nut connections inside the junction box.**15:** Insert the Fast Jack Port assembly into the opening and rotate clockwise to lock in place.**16:** Tighten the #4-40 set screws using a 0.05" Allen wrench to secure in place.

**NOTE:** Test the fixture.

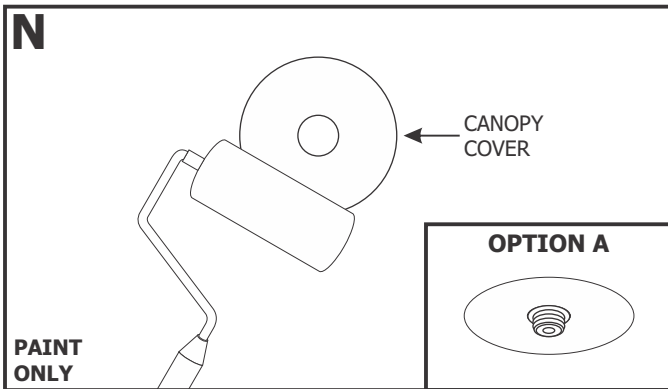
**K**



**17:** Place the canopy cover over the Fast Jack Port assembly. The magnets on the back will keep the canopy cover in place.



**18:** If necessary, use fingers to push on the perimeter of the canopy cover until it slightly rocks and lift the cover to remove it from the assembly.



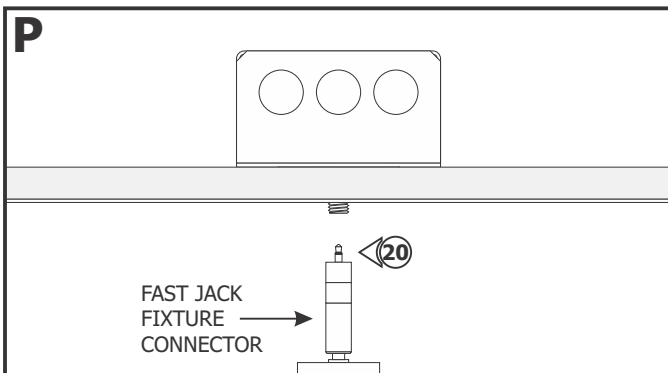
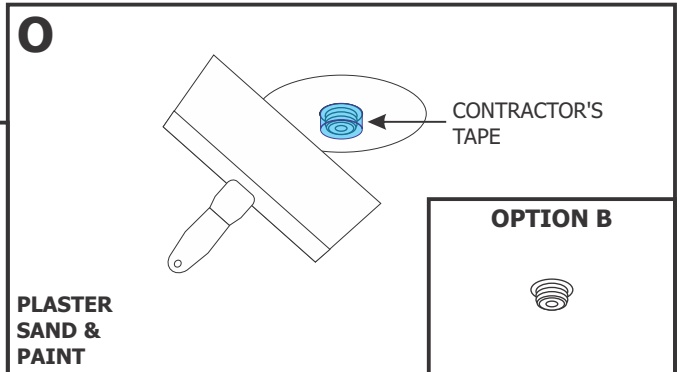
**19:** Choose one of the two options to cover the canopy.

**Option A:** For a slight outline of the canopy, prime and paint the canopy cover on the ground or table. Ensure paint is dry before replacing canopy cover over the Fast Jack Port assembly.

**NOTE:** Option B is recommended for remote power supply only.

**Option B:** For no outline of the canopy, cover the threads of the Fast Jack Port with contractor's tape. Plaster, sand and paint over the canopy cover and surface.

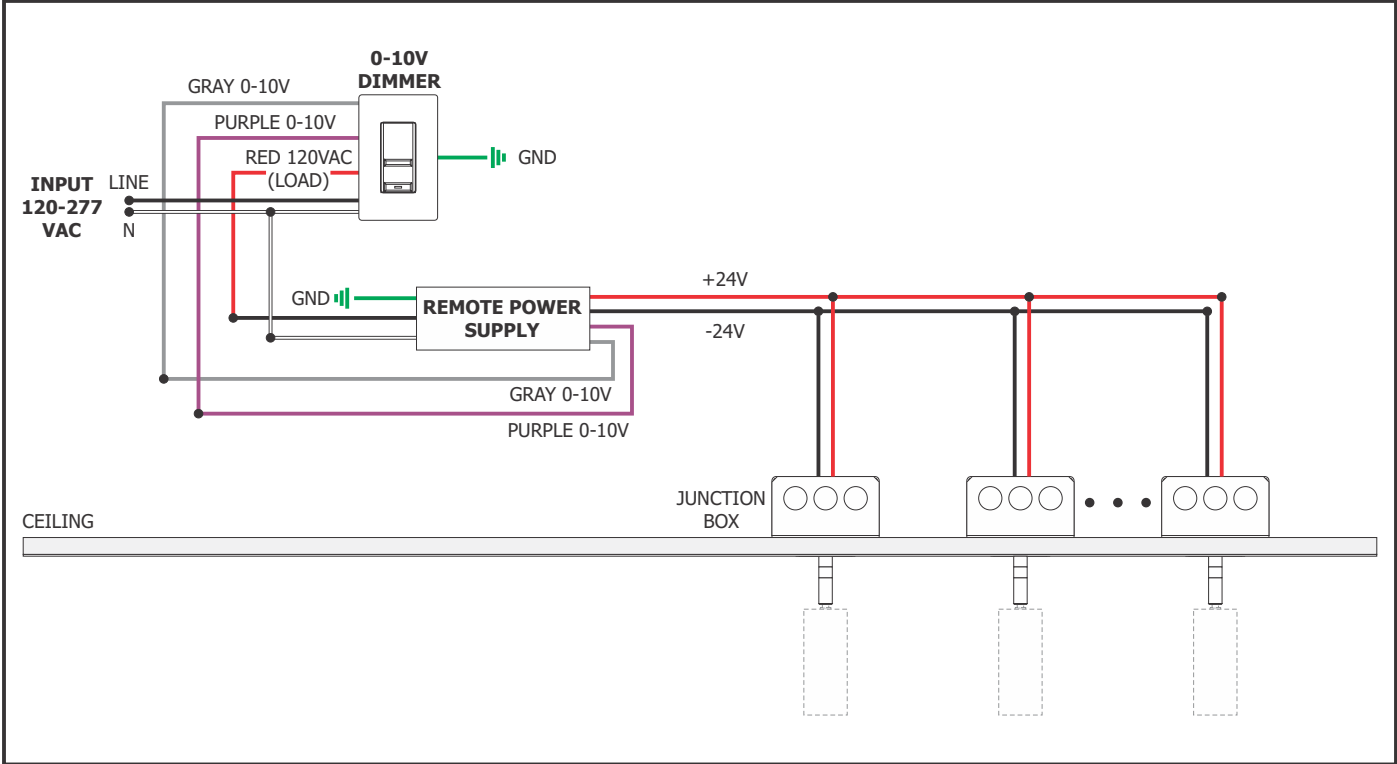
**NOTE:** If using metal tools to apply plaster, be careful not to remove the magnetic canopy cover while plastering.



**CAUTION: Risk of Fire:** Do not load the port greater than included power supply rated wattage (**15W** or **60W**).

**20:** Use fingers to tighten the Fast Jack connector into the Fast Jack port.

# General Wiring for Remote Power





1718 W. Fullerton Chicago, IL 60614  
 Ph: 773.770.1195 • Fax: 773.935.5613  
 www.PureEdgeLighting.com • info@PureEdgeLighting.com  
 © 2016 PureEdge Lighting. All Rights Reserved.

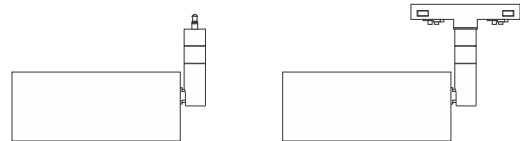
## Installation Instructions for **Tubo Small Vanishing Point and Tubo Small Track Head**

FJ24-TUBS-  T24-TUBS-  

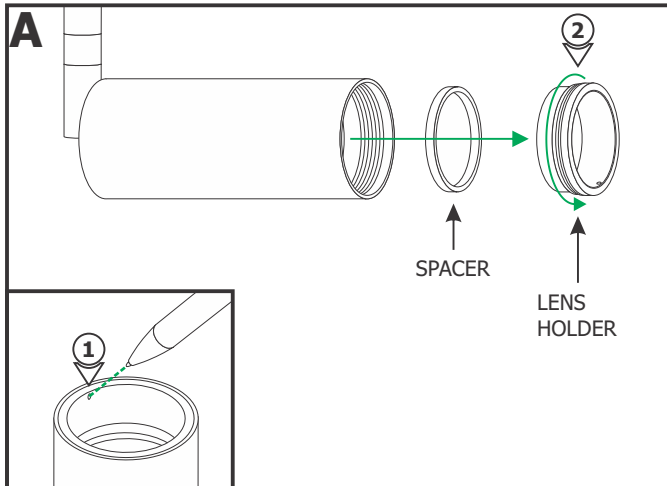
### IMPORTANT INFORMATION

- This product is suitable for indoor locations.
- Ensure that power to the electrical box is **OFF** before beginning installation.
- These lighting fixtures must be used with PureEdge Lighting 24 volt Vanishing Point Monopoint system and track systems only.
- This product is dimmable when the system is powered with PureEdge 0-10 volt, ELV and Universal power supplies.

**SAVE THESE INSTRUCTIONS!**



## Section One: Replace the Reflector and Diffuser

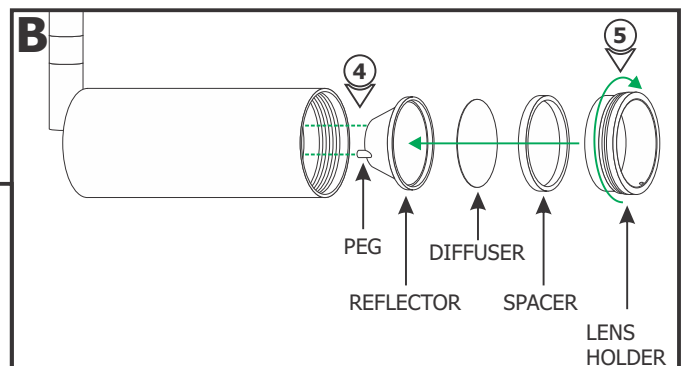


- 1: Use a pen or small Allen wrench to loosen the lens holder.
- 2: Unscrew the lens holder counter-clockwise and remove the lens holder and spacer from the fixture.

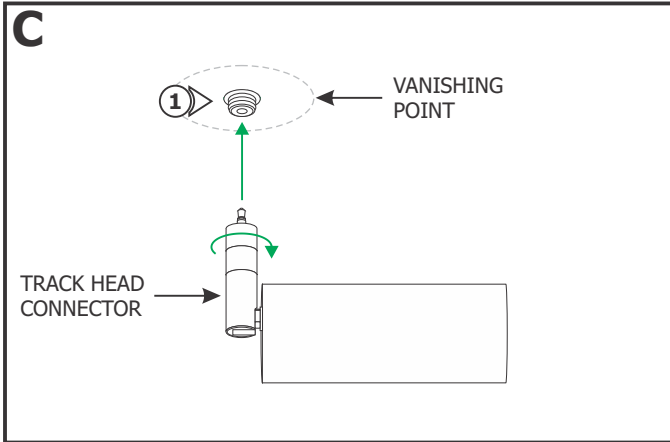
**3:** Remove the diffuser and the reflector.

**4:** Replace the reflector by aligning the pegs with the LED module holes.

**5:** Replace the diffuser and spacer over the reflector and screw the lens holder back clockwise to secure in place.



## Section Two: Install the Track Head for Vanishing Point Monopoint Systems



**NOTE:** Omit this section if installing the track head to Track Systems. Refer to Section Three.

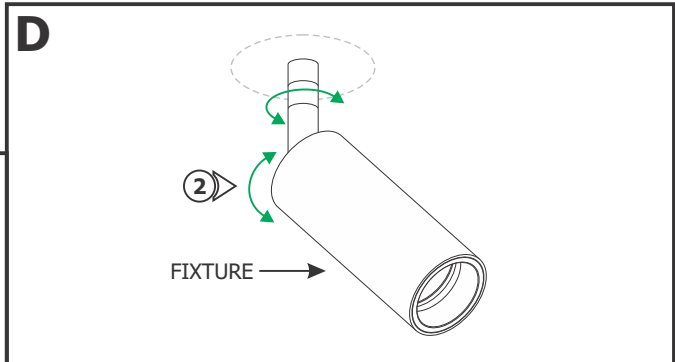
**NOTE:** Refer to the instructions provided with the Vanishing Point to install the system.

**1:** Plug the track head connector into the Vanishing Point connector. Use fingers to tighten the connector and secure in place.

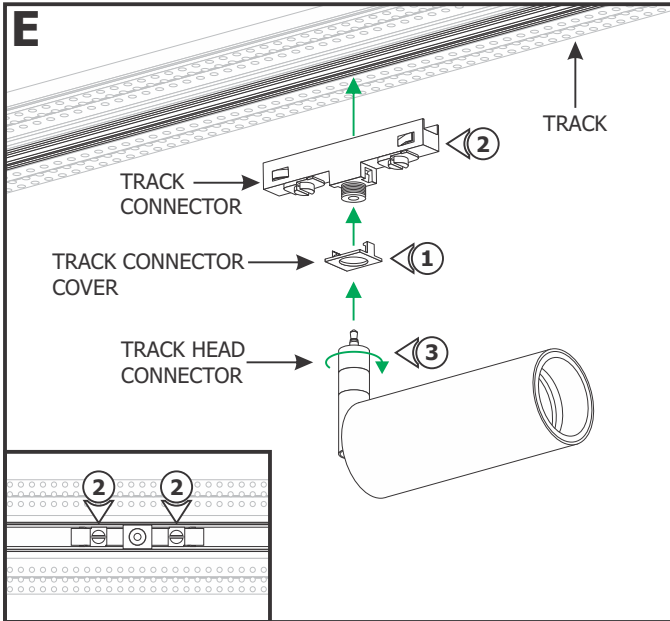
**2:** Adjust the fixture to the desired position by rotating the body vertically or horizontally.

**3:** Turn the power on.

**NOTE:** This fixture consumes **8** watts and contains integrated LED lamps which are rated for 50,000 hours.



## Section Three: Install the Track Head for Track Systems



**NOTE:** Omit this section if installing the track head to Vanishing Point Systems.

**NOTE:** Refer to the instructions provided with the track to install the system.

**1:** Snap the black or white cover onto the track connector.

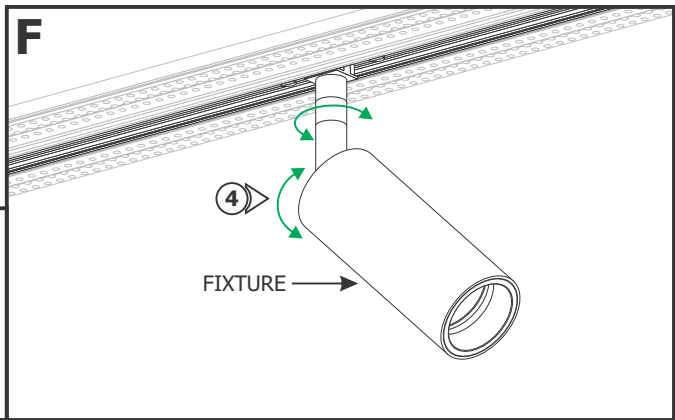
**2:** Insert the track connector into the track. Tighten the slotted screws with a flat head screw driver to secure in place.

**3:** Plug the track head connector into the track connector. Use fingers to tighten the connector and secure in place.

**4:** Adjust the fixture to the desired position by rotating the body vertically or horizontally.

**5:** Turn the power on.

**NOTE:** This fixture consumes **8** watts and contains integrated LED lamps which are rated for 50,000 hours.





1718 W. Fullerton Chicago, IL 60614  
 Ph: 773.770.1195 • Fax: 773.935.5613  
 www.PureEdgeLighting.com • info@PureEdgeLighting.com  
 © 2016 PureEdge Lighting. All Rights Reserved.

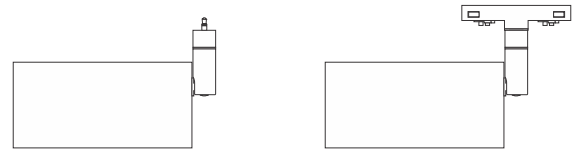
## Installation Instructions for **Tubo Large Vanishing Point and Tubo Large Track Head**

**FJ24-TUBL\_**  
**T24-TUBL\_**

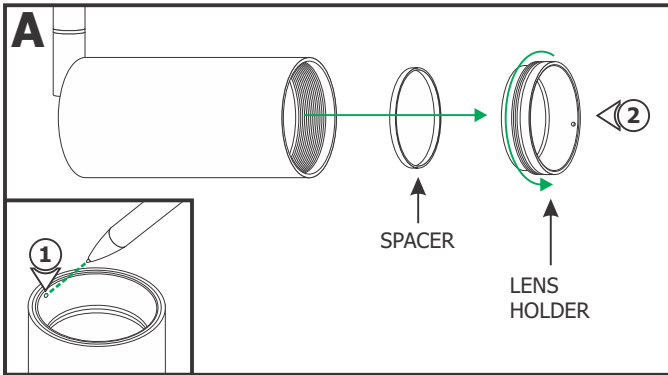
### IMPORTANT INFORMATION

- This product is suitable for indoor locations.
- Ensure that power to the electrical box is **OFF** before beginning installation.
- These lighting fixtures must be used with PureEdge Lighting 24 volt Vanishing Point Monopoint system and track systems only.
- This product is dimmable when the system is powered with PureEdge 0-10 volt, ELV and Universal power supplies.

**SAVE THESE INSTRUCTIONS!**

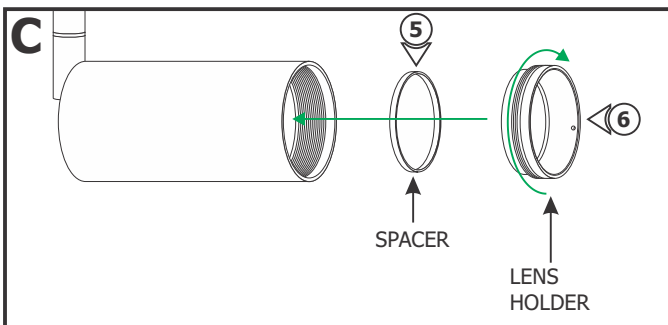
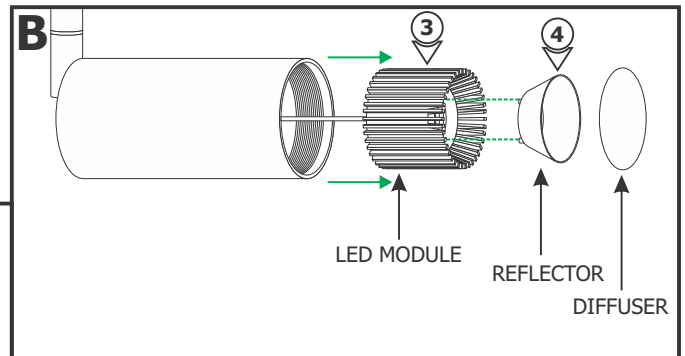


### Section One: Replace the Reflector and Diffuser



- 1: Use a pen or small Allen wrench to loosen the lens holder.
- 2: Unscrew the lens holder counter-clockwise and remove the lens holder and spacer from the fixture.

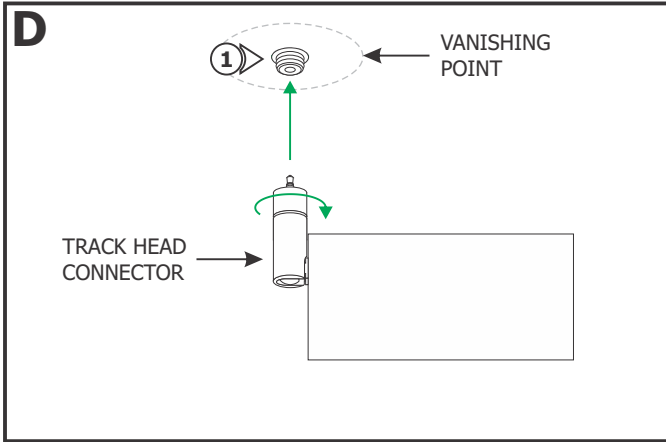
- 3: Carefully remove the diffuser, reflector and LED module from the fixture.
- 4: Replace the reflector by aligning the pegs with the LED module holes.



- 5: Push the LED module, reflector, diffuser and spacer back inside the fixture.
- 6: Screw the lens holder back clockwise to secure in place.



## Section Two: Install the Track Head for Vanishing Point Monopoint Systems



**NOTE:** Omit this section if installing the track head to Track Systems. Refer to Section Three.

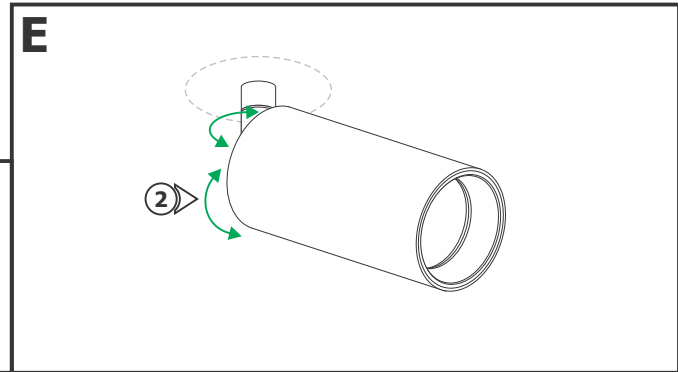
**NOTE:** Refer to the instructions provided with the Vanishing Point to install the system.

**1:** Plug the track head connector into the Vanishing Point connector. Use fingers to tighten the connector and secure in place.

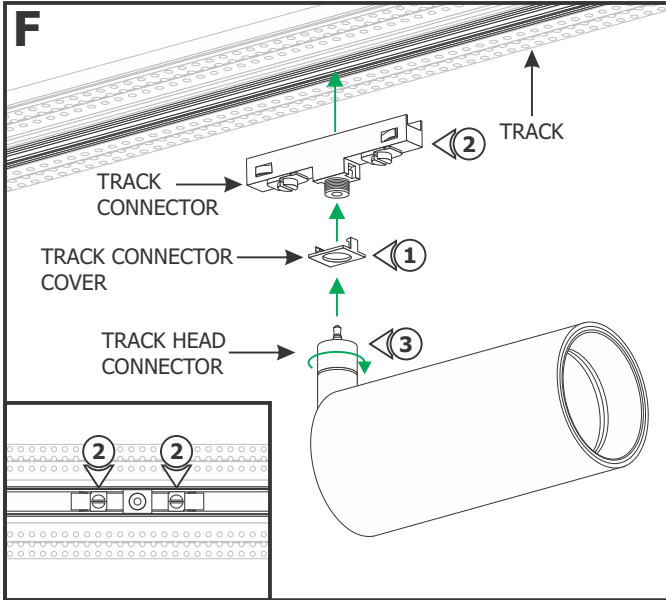
**2:** Adjust the fixture to the desired position by rotating the body vertically or horizontally.

**3:** Turn the power on.

**NOTE:** This fixture consumes **15** watts and contains integrated LED lamps which are rated for 50,000 hours.



## Section Three: Install the Track Head for Track Systems



**NOTE:** Omit this section if installing the track head to Vanishing Point Systems.

**NOTE:** Refer to the instructions provided with the track to install the system.

**1:** Snap the black or white cover onto the track connector.

**2:** Insert the track connector into the track. Tighten the slotted screws with a flat head screw driver to secure in place.

**3:** Plug the track head connector into the track connector. Use fingers to tighten the connector and secure in place.

**4:** Adjust the fixture to the desired position by rotating the body vertically or horizontally.

**5:** Turn the power on.

**NOTE:** This fixture consumes **15** watts and contains integrated LED lamps which are rated for 50,000 hours.

