



1718 W. Fullerton Chicago, IL 60614
 Ph: 773.770.1195 • Fax: 773.935.5613
 www.PureEdgeLighting.com • info@PureEdgeLighting.com
 © 2016 PureEdge Lighting. All Rights Reserved.

Installation Instructions for Vanishing Point 24 Volt Millwork Flush-Mount Canopy Fast Jack Connection

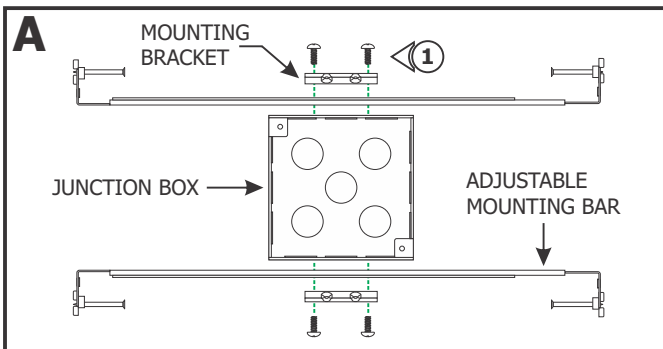
V2M_-FJ24_-

IMPORTANT INFORMATION

- This instruction shows a typical installation.
- This product is ceiling mount.

SAVE THESE INSTRUCTIONS!

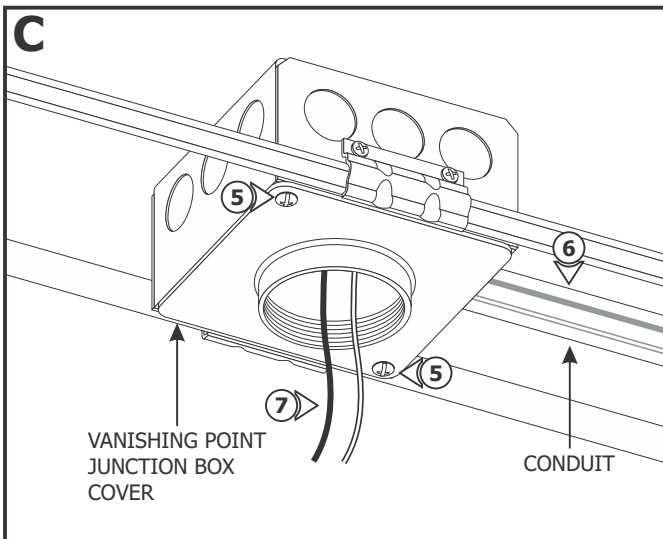
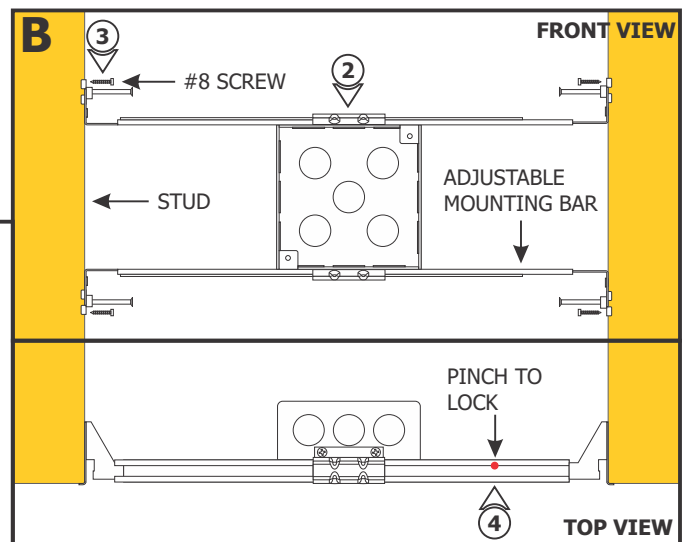
Section One: Install the Junction Box



- 1:** Mount each adjustable mounting bar to one side of the junction box and secure them with the mounting brackets and two Phillips screws provided.

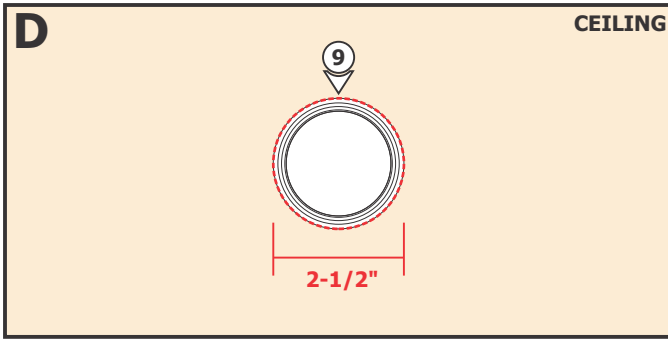
NOTE: Adjustable mounting bars mount to studs that are spaced 14.5" to 25" apart.

- 2:** Select the location between the two studs for the junction box to be mounted.
- 3:** Place the adjustable mounting bar tabs between the studs. Secure the adjustable bars to the studs with the #8 screws.
- 4:** Pinch anywhere on the inner edge of the mounting bars to lock in place.



- 5:** Install the Vanishing Point junction box cover to the junction box using two #8-32 screws.
- 6:** Remove a knockout to install a conduit into the junction box. Install conduit(s) (if required by local electrical code).
- 7:** Run the line voltage wires to the junction box.
- 8:** If using remote power supply, then run the low-voltage 24V wires coming from the remote power supply to the junction box.

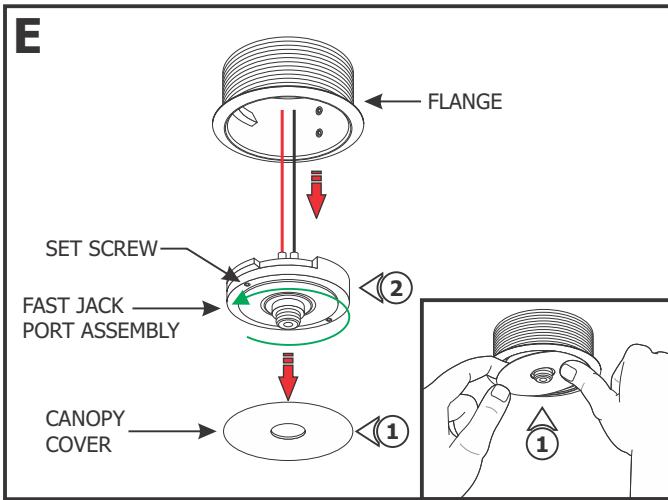
NOTE: Ensure remote power supply wires are present in the junction box. Refer to instructions provided with the power supply.



NOTE: Vanishing Point Millwork needs to be installed onto a minimum 5/8" to maximum 7/8" thick wood/surface. The cut out slot must be 2-1/2" in diameter.

9: Use a 2-1/2" hole saw to cut out the surface where the junction box opening is located.

Section Two: Install the Fixture



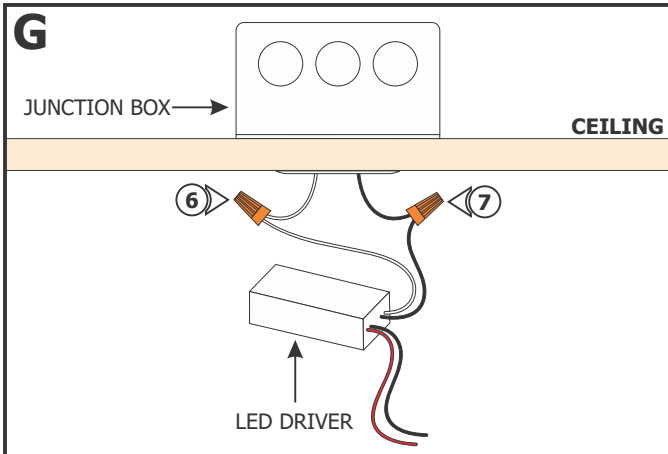
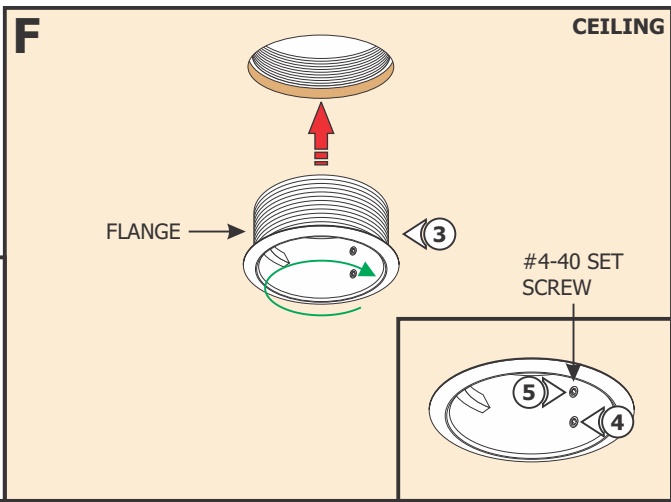
1: Use fingers to push on the perimeter of the canopy cover until it slightly rocks and lift the cover to remove it from the assembly.

2: Loosen (**Do Not Remove**) the #4-40 set screws on the Fast Jack Port assembly using a 0.05" Allen wrench and rotate the Fast Jack Port assembly counter clockwise to remove from the flange.

3: Screw the flange clockwise into the junction box cover, ensuring the flange is tight.

4: If the surface is 5/8" thick, tighten the bottom #4-40 set screw inside the flange using a 0.05" Allen wrench.

5: If the surface is 3/4" and thicker, tighten the top #4-40 set screw inside the flange using a 0.05" Allen wrench.



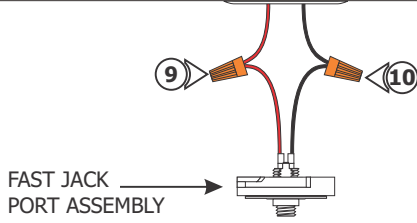
NOTE: Steps 6 through 8 are for the 24V power supply included inside the junction box. Omit these steps if using remote power supply.

NOTE: Make sure the junction box is grounded in accordance to local electrical codes.

6: Connect the white LED driver wire to the neutral power wire with a wire nut.

7: Connect the black LED driver wire to the hot power wire with a wire nut.

8: Place the LED driver and wire nut connections inside the junction box.

H

9: Connect red wire of the Fast Jack Port assembly to the +24VDC power supply wire using a wire nut.

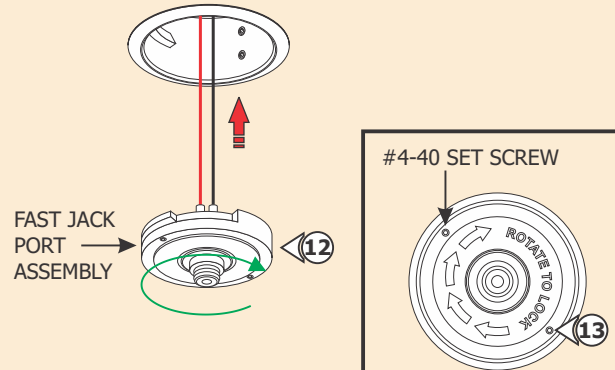
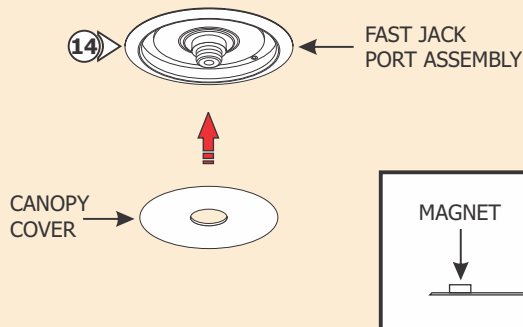
10: Connect the black wire of the Fast Jack Port assembly to the -24VDC power supply wire using a wire nut.

11: Place all wire nut connections inside the junction box.

12: Insert the Fast Jack Port assembly into the opening and rotate clockwise to lock in place.

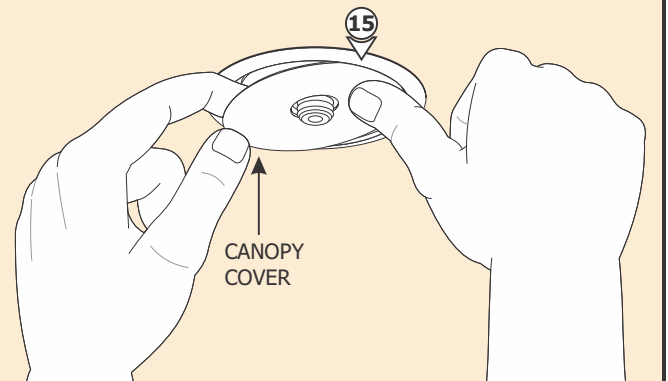
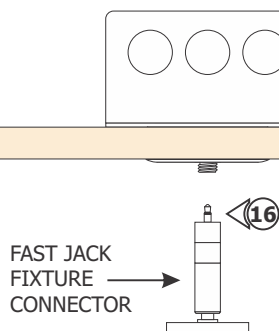
13: Tighten the #4-40 set screws using a 0.05" Allen wrench to secure in place.

NOTE: Test the fixture.

I**J**

14: Place the canopy cover over the Fast Jack Port assembly. The magnets on the back will keep the canopy cover in place.

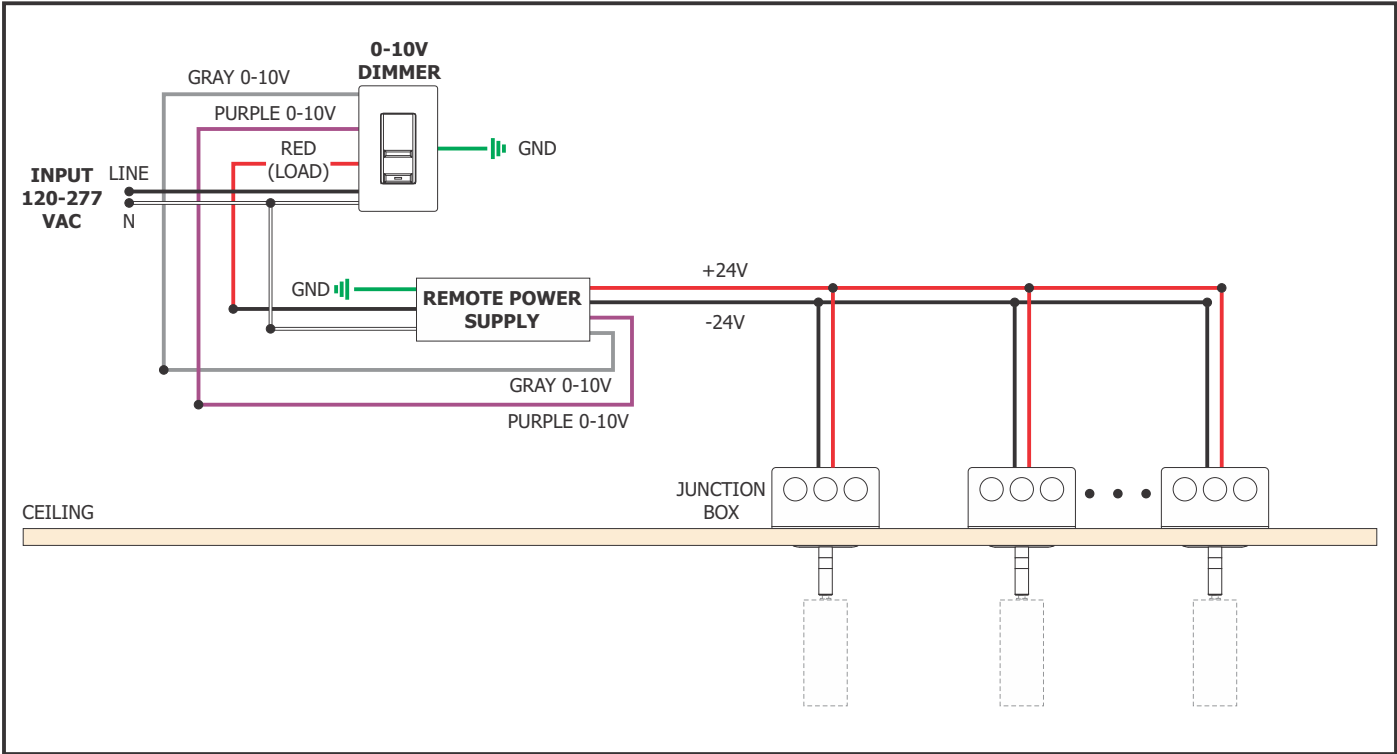
15: If necessary, use fingers to push on the perimeter of the canopy cover until it slightly rocks and lift the cover to remove it from the assembly.

K**L**

CAUTION: Risk of Fire: Do not load the port greater than included power supply rated wattage (**15W** or **60W**).

16: Use fingers to tighten the Fast Jack connector into the Fast Jack port.

General Wiring for Remote Power





1718 W. Fullerton Chicago, IL 60614
 Ph: 773.770.1195 • Fax: 773.935.5613
 www.PureEdgeLighting.com • info@PureEdgeLighting.com
 © 2016 PureEdge Lighting. All Rights Reserved.

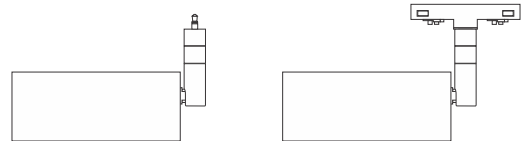
Installation Instructions for **Tubo Small Vanishing Point and Tubo Small Track Head**

FJ24-TUBS- T24-TUBS-

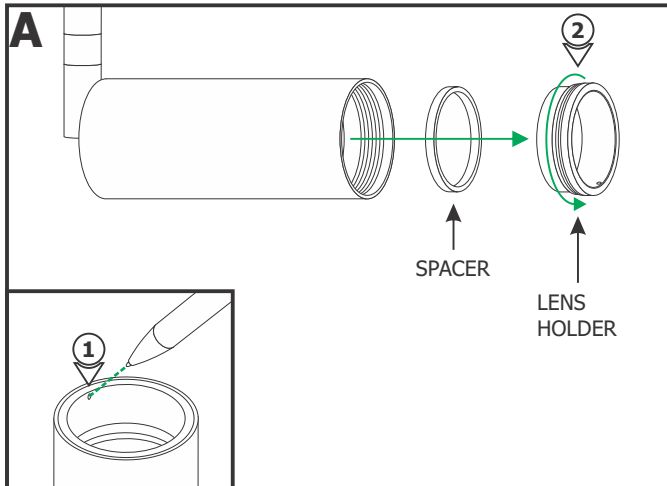
IMPORTANT INFORMATION

- This product is suitable for indoor locations.
- Ensure that power to the electrical box is **OFF** before beginning installation.
- These lighting fixtures must be used with PureEdge Lighting 24 volt Vanishing Point Monopoint system and track systems only.
- This product is dimmable when the system is powered with PureEdge 0-10 volt, ELV and Universal power supplies.

SAVE THESE INSTRUCTIONS!



Section One: Replace the Reflector and Diffuser

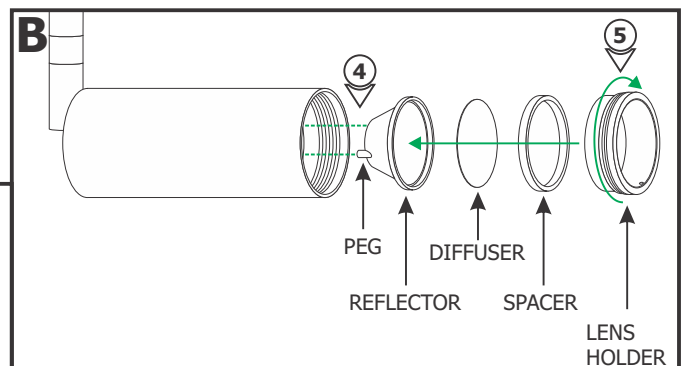


- 1: Use a pen or small Allen wrench to loosen the lens holder.
- 2: Unscrew the lens holder counter-clockwise and remove the lens holder and spacer from the fixture.

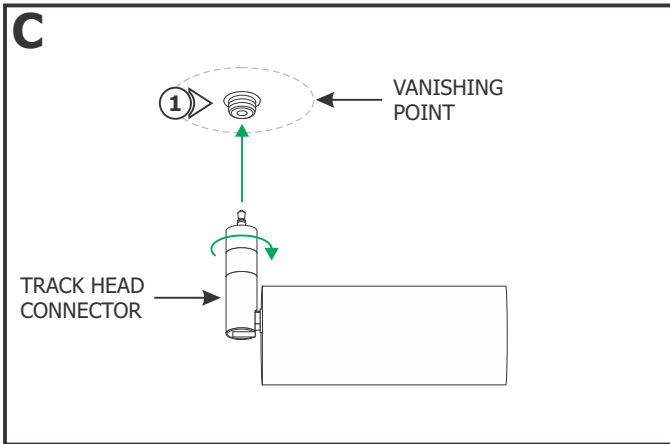
3: Remove the diffuser and the reflector.

4: Replace the reflector by aligning the pegs with the LED module holes.

5: Replace the diffuser and spacer over the reflector and screw the lens holder back clockwise to secure in place.



Section Two: Install the Track Head for Vanishing Point Monopoint Systems



NOTE: Omit this section if installing the track head to Track Systems. Refer to Section Three.

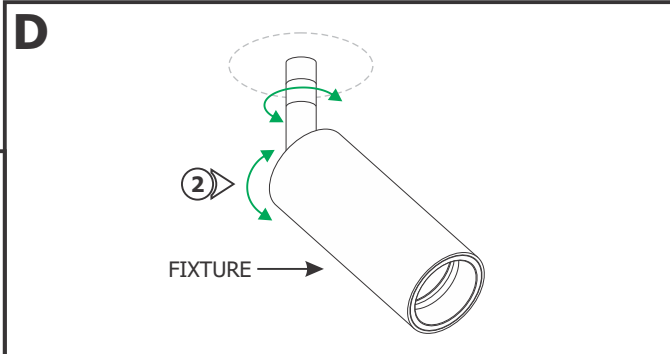
NOTE: Refer to the instructions provided with the Vanishing Point to install the system.

1: Plug the track head connector into the Vanishing Point connector. Use fingers to tighten the connector and secure in place.

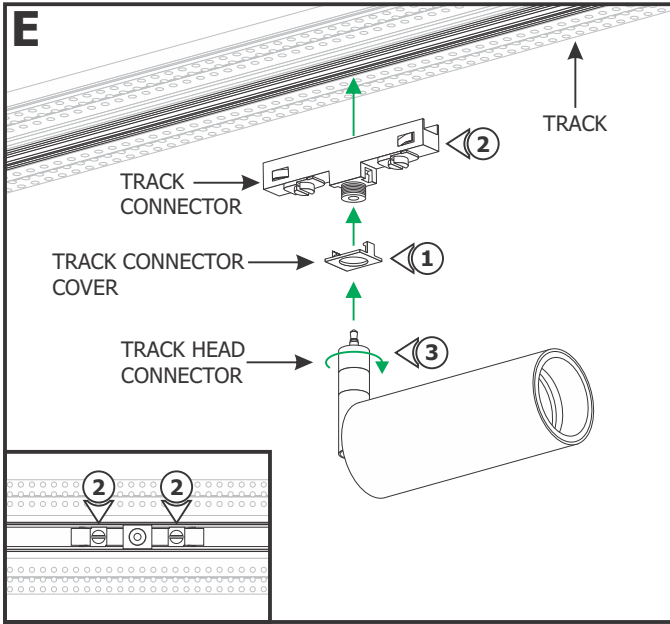
2: Adjust the fixture to the desired position by rotating the body vertically or horizontally.

3: Turn the power on.

NOTE: This fixture consumes **8** watts and contains integrated LED lamps which are rated for 50,000 hours.



Section Three: Install the Track Head for Track Systems



NOTE: Omit this section if installing the track head to Vanishing Point Systems.

NOTE: Refer to the instructions provided with the track to install the system.

1: Snap the black or white cover onto the track connector.

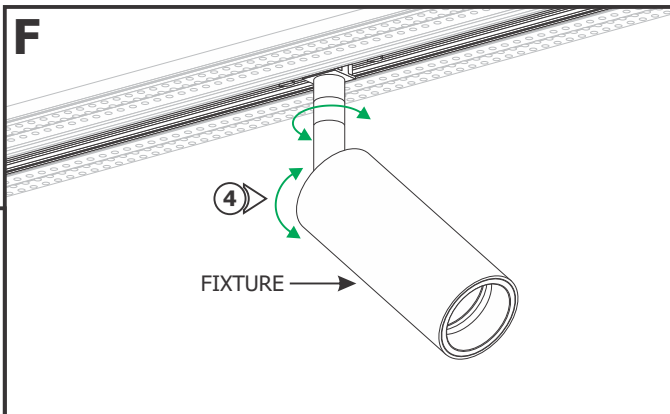
2: Insert the track connector into the track. Tighten the slotted screws with a flat head screw driver to secure in place.

3: Plug the track head connector into the track connector. Use fingers to tighten the connector and secure in place.

4: Adjust the fixture to the desired position by rotating the body vertically or horizontally.

5: Turn the power on.

NOTE: This fixture consumes **8** watts and contains integrated LED lamps which are rated for 50,000 hours.





1718 W. Fullerton Chicago, IL 60614
 Ph: 773.770.1195 • Fax: 773.935.5613
 www.PureEdgeLighting.com • info@PureEdgeLighting.com
 © 2016 PureEdge Lighting. All Rights Reserved.

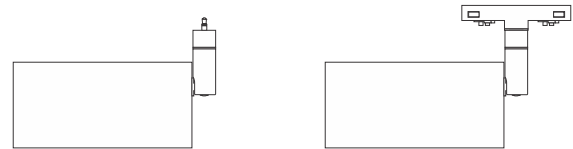
Installation Instructions for **Tubo Large Vanishing Point and Tubo Large Track Head**

FJ24-TUBL_
T24-TUBL_

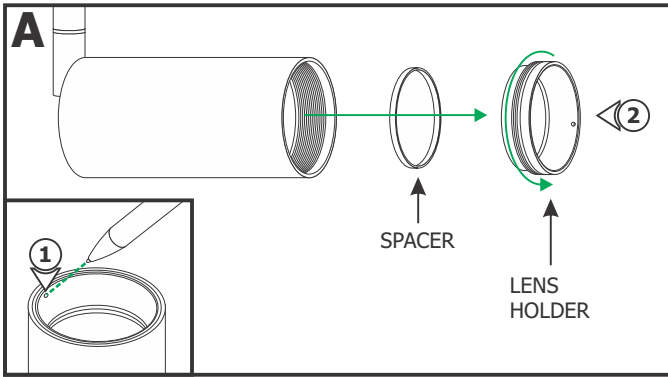
IMPORTANT INFORMATION

- This product is suitable for indoor locations.
- Ensure that power to the electrical box is **OFF** before beginning installation.
- These lighting fixtures must be used with PureEdge Lighting 24 volt Vanishing Point Monopoint system and track systems only.
- This product is dimmable when the system is powered with PureEdge 0-10 volt, ELV and Universal power supplies.

SAVE THESE INSTRUCTIONS!

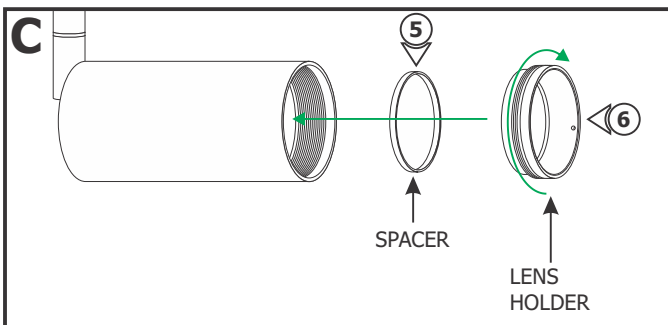
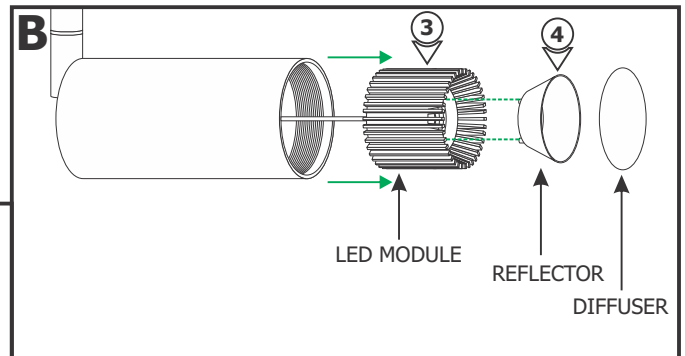


Section One: Replace the Reflector and Diffuser



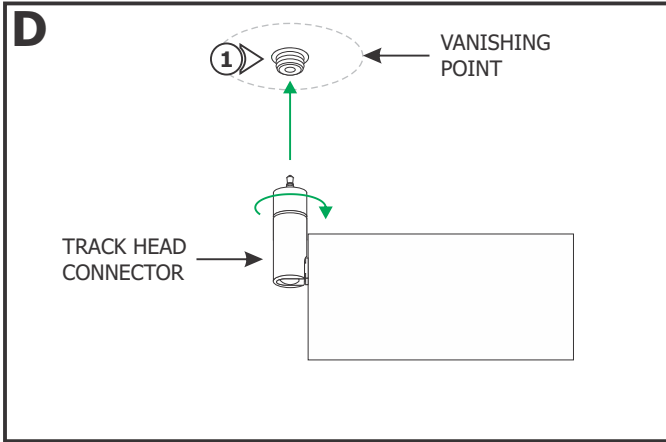
- 1: Use a pen or small Allen wrench to loosen the lens holder.
- 2: Unscrew the lens holder counter-clockwise and remove the lens holder and spacer from the fixture.

- 3: Carefully remove the diffuser, reflector and LED module from the fixture.
- 4: Replace the reflector by aligning the pegs with the LED module holes.



- 5: Push the LED module, reflector, diffuser and spacer back inside the fixture.
- 6: Screw the lens holder back clockwise to secure in place.

Section Two: Install the Track Head for Vanishing Point Monopoint Systems



NOTE: Omit this section if installing the track head to Track Systems. Refer to Section Three.

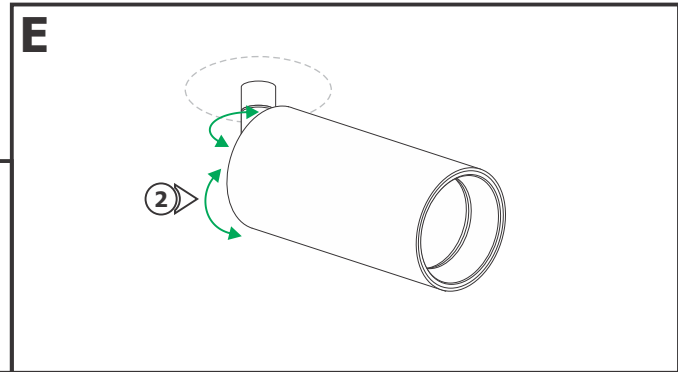
NOTE: Refer to the instructions provided with the Vanishing Point to install the system.

1: Plug the track head connector into the Vanishing Point connector. Use fingers to tighten the connector and secure in place.

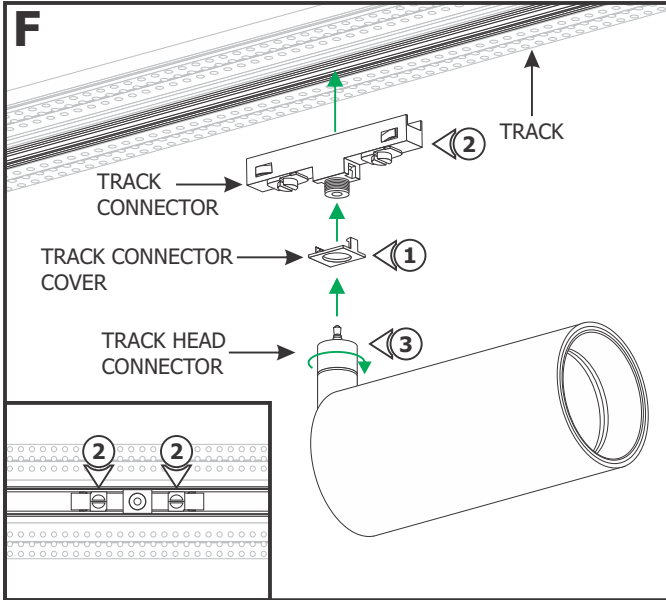
2: Adjust the fixture to the desired position by rotating the body vertically or horizontally.

3: Turn the power on.

NOTE: This fixture consumes **15** watts and contains integrated LED lamps which are rated for 50,000 hours.



Section Three: Install the Track Head for Track Systems



NOTE: Omit this section if installing the track head to Vanishing Point Systems.

NOTE: Refer to the instructions provided with the track to install the system.

1: Snap the black or white cover onto the track connector.

2: Insert the track connector into the track. Tighten the slotted screws with a flat head screw driver to secure in place.

3: Plug the track head connector into the track connector. Use fingers to tighten the connector and secure in place.

4: Adjust the fixture to the desired position by rotating the body vertically or horizontally.

5: Turn the power on.

NOTE: This fixture consumes **15** watts and contains integrated LED lamps which are rated for 50,000 hours.

