

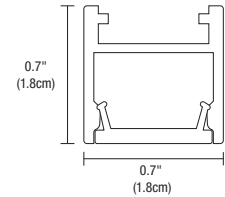
# ZIP CEILING WITH REMOTE POWER

REV.07.05.18

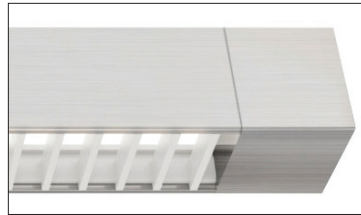
DESIGNED BY GREGORY KAY | ASSEMBLED IN AMERICA



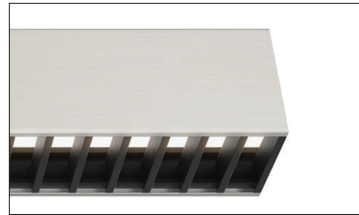
**DIFFUSED WHITE LENS  
(ACTUAL SIZE)**



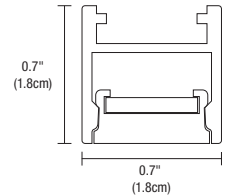
**CHANNEL WITHOUT LOUVER  
(ACTUAL SIZE)**



**DIFFUSED WHITE LENS WITH WHITE LOUVER**



**DIFFUSED WHITE LENS WITH BLACK LOUVER**



**CHANNEL WITH LOUVER  
(ACTUAL SIZE)**

## DESCRIPTION

Zip Ceiling Downlight with Remote Power is a linear LED fixture that offers spot-free, direct light in a clean, contemporary style. Zip is available in various increments from 12"-720" (60'), a 100° beam spread Lens, optional Louver, and a variety of finishes with Warm Dim, Tunable White, and RGB options. Fixture includes a 5 year warranty. For custom designs and quotes, send drawings to [design@PureEdgeLighting.com](mailto:design@PureEdgeLighting.com)

## INSTALLATION

Wattages for this fixture are available in the following options:

- 2W - 2.5 Watts per Foot, Lengths up to 720" (60')
- 5W - 4.4 Watts per Foot, Lengths up to 420" (35')
- 7W - 7.5 Watts per Foot, Lengths up to 312" (26')
- Mounts to a Standard Junction Box, pre-wired from a 60 Watt Non-IC (50W-IC) Power Supply that fits in the ceiling electrical Junction Box or from a Remote Power Supply up to 200 Watts at a maximum 40' away
- Includes your choice of Canopy (1R, 1" Rectangle or 4S, 4.6" Square)
- Includes Ceiling Locking Clips (for support every 4')
- Power Supply, sold separately

## LENSES

- Available in a Diffused White Lens with 100° beam spread or Clear Frosted Lens with 60° beam spread
- Optional Black or White Louver available for both lenses

## FINISHES

Available in Satin Nickel, Chrome, White, and Satin Black

## APPLICATIONS

Designed for indoor use only. Ideal application environments include: Conference Rooms, Kitchens, Dining Rooms, Architectural Lighting, General Lighting, and Retail

## LAMPING

Choose from 10 color temperatures from 2200K-5700K including Warm Dim, Color Tuning, and RGB

- Warm Dim (optional): 2700K to 2000K (27D) or 3000K to 2000K (30D)
- Tunable White (optional): 2000K-4000K
- RGB (optional): Red, Green, and Blue
- 50,000 Hour Lamp Life

## REMOTE POWER SUPPLIES\*, DIMMERS & CONTROLS (SOLD SEPARATELY)

- Electronic Low Voltage Dimming (ELV): 100 Watt Class 2: 200 Watt UL2108
- 0-10 Volt Dimming (0-10V)
- Lutron Hi-lume®
- DMX Dynamic Color Changing

\*In-Wall Mounting Kits available for select power supplies  
Dimmers not available through PureEdge Lighting

System	Wattage Per Foot	Canopy Type	Nominal Size	Color Temperature	Finish
<b>ZCD</b>	<b>5W</b>	<b>1R</b>	<b>720</b>	<b>22K</b>	<b>SN</b>
<b>ZCD</b> Zip Ceiling, Diffused White 100° Lens, without Louver <b>ZCDW</b> Zip Ceiling, Diffused White 100° Lens, with White Louver <b>ZCDB</b> Zip Ceiling, Diffused White 100° Lens, with Black Louver <b>ZCCW</b> Zip Ceiling, Clear Frosted 60° Lens, with White Louver <b>ZCCB</b> Zip Ceiling, Clear Frosted 60° Lens, with Black Louver	<b>2W</b> 2.5 Watts (720" Max, 60') <b>5W</b> 4.4 Watts (420" Max, 35') <b>7W</b> 7.3 Watts (312" Max, 26')	<b>1R</b> 1" Rectangle with Junction Box <b>4S</b> 4.6" Square Canopy	<b>12-720</b> Order in various increments from 12"-720"  *Chrome shipping maximum length, 84" SN, BK, WH shipping, 120"	<b>22K</b> 2200K Amber White <b>27K</b> 2700K Very Warm White <b>27D</b> 2700K Warm Dim (5W only) <b>30K</b> 3000K Warm White <b>30D</b> 3000K Warm Dim (5W only) <b>35K</b> 3500K Neutral White <b>40K</b> 4000K Cool White <b>57K</b> 5700K Daylight White <b>2K4K</b> 2000K-4000K Tunable White (5W only, 20' max) <b>RGB</b> RGB (5W only, 20' max, 100W)	<b>BK</b> Satin Black <b>CH</b> Chrome <b>SN</b> Satin Nickel <b>WH</b> White

PROJECT		FIXTURE TYPE		DATE	
---------	--	--------------	--	------	--

# ZIP CEILING WITH REMOTE POWER

REV.07.05.18

DESIGNED BY GREGORY KAY | ASSEMBLED IN AMERICA

## LAMP DATA Lamp Data for each Channel type

ZCD																				
100° DIFFUSED WHITE LENS WITHOUT LOUVER																				
DESCRIPTION	2W (2.5 watts)						5W (4.4 watts)						7W (7.3 watts)							
WATTS PER FOOT																				
COLOR TEMPERATURE	22K	27K	30K	35K	40K	57K	22K	27K	27D*	30K	30D*	35K	40K	57K	22K	27K	30K	35K	40K	57K
LUMENS PER FOOT (lm/ft)	80	98	107	123	134	142	173	211	260	231	284	264	287	306	275	335	367	420	456	486
LUMENS PER WATT (lm/w)	32	39	43	49	53	57	39	48	54	52	59	60	65	70	38	46	50	58	63	67
CRI	85+	95+	95+	85+	84	84	85+	95+	95+	95+	95+	85+	84	84	85+	95+	95+	85+	84	84

ZCDW																				
100° DIFFUSED WHITE LENS WITH WHITE LOUVER																				
DESCRIPTION	2W (2.5 watts)						5W (4.4 watts)						7W (7.3 watts)							
WATTS PER FOOT																				
COLOR TEMPERATURE	22K	27K	30K	35K	40K	57K	22K	27K	27D*	30K	30D*	35K	40K	57K	22K	27K	30K	35K	40K	57K
LUMENS PER FOOT (lm/ft)	50	61	67	77	83	89	108	132	162	144	177	165	179	191	172	209	229	262	285	303
LUMENS PER WATT (lm/w)	20	24	27	31	33	35	25	30	34	33	37	37	41	43	24	29	31	36	39	42
CRI	85+	95+	95+	85+	84	84	85+	95+	95+	95+	95+	85+	84	84	85+	95+	95+	85+	84	84

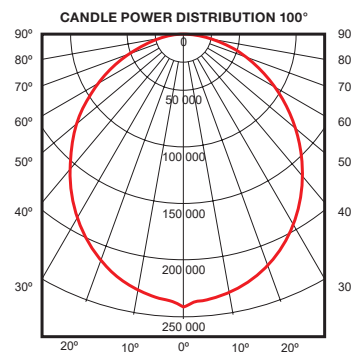
ZCCW																				
60° CLEAR FROSTED LENS WITH WHITE LOUVER																				
DESCRIPTION	2W (2.5 watts)						5W (4.4 watts)						7W (7.3 watts)							
WATTS PER FOOT																				
COLOR TEMPERATURE	22K	27K	30K	35K	40K	57K	22K	27K	27D*	30K	30D*	35K	40K	57K	22K	27K	30K	35K	40K	57K
LUMENS PER FOOT (lm/ft)	57	69	76	87	94	100	122	149	206	163	226	187	203	216	194	237	259	297	323	343
LUMENS PER WATT (lm/w)	23	28	30	35	38	40	28	34	43	37	47	42	46	49	27	32	36	41	44	47
CRI	85+	95+	95+	85+	84	84	85+	95+	95+	95+	95+	85+	84	84	85+	95+	95+	85+	84	84

ZCDB																				
100 DEGREE DIFFUSED WHITE LENS WITH BLACK LOUVER																				
DESCRIPTION	2W (2.5 watts)						5W (4.4 watts)						7W (7.3 watts)							
WATTS PER FOOT																				
COLOR TEMPERATURE	22K	27K	30K	35K	40K	57K	22K	27K	27D*	30K	30D*	35K	40K	57K	22K	27K	30K	35K	40K	57K
LUMENS PER FOOT (lm/ft)	31	38	42	48	52	55	67	82	101	90	110	103	111	119	107	130	142	163	177	188
LUMENS PER WATT (lm/w)	12	15	17	19	21	22	15	19	21	20	23	23	25	27	15	18	19	22	24	26
CRI	85+	95+	95+	85+	84	84	85+	95+	95+	95+	95+	85+	84	84	85+	95+	95+	85+	84	84

ZCCB																				
60 DEGREE CLEAR FROSTED LENS WITH BLACK LOUVER																				
DESCRIPTION	2W (2.5 watts)						5W (4.4 watts)						7W (7.3 watts)							
WATTS PER FOOT																				
COLOR TEMPERATURE	22K	27K	30K	35K	40K	57K	22K	27K	27D*	30K	30D*	35K	40K	57K	22K	27K	30K	35K	40K	57K
LUMENS PER FOOT (lm/ft)	35	43	47	54	59	62	76	93	128	101	140	116	126	134	121	147	161	185	201	214
LUMENS PER WATT (lm/w)	14	17	19	22	23	25	17	21	27	23	29	26	29	31	17	20	22	25	27	29
CRI	85+	95+	95+	85+	84	84	85+	95+	95+	95+	95+	85+	84	84	85+	95+	95+	85+	84	84

\*27D, 30D - Warm Dim (4.8 Watts)

5W DIFFUSED WHITE			
Distance	Foot Candles, 5W	Beam Width Vertical Spread 101.1°	Beam Width Horizontal Spread 94.7°
1.7'	120fc	4.1'	3.9'
3.3'	39fc	8'	7.5'
5'	16fc	12.1'	11.4'
6.7'	10fc	16.3'	15.3'
8.3'	6fc	20.2'	18.9'
10'	4fc	24.3'	22.8'



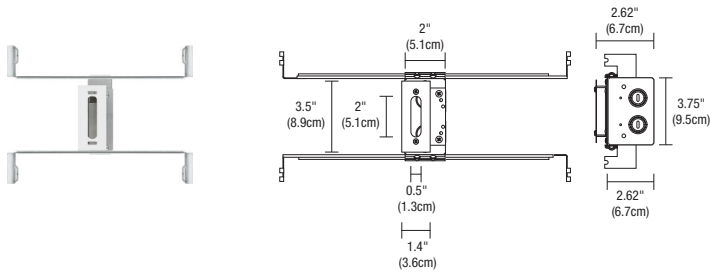
PROJECT		FIXTURE TYPE		DATE	
---------	--	--------------	--	------	--

# ZIP CEILING WITH REMOTE POWER

REV.07.05.18

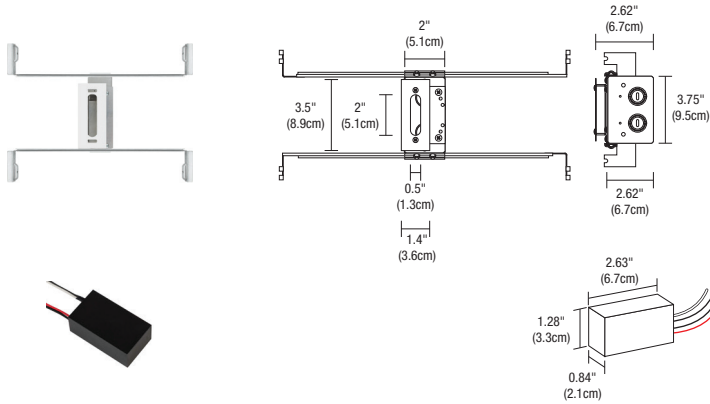
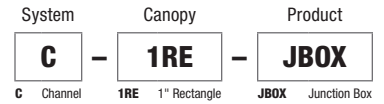
DESIGNED BY GREGORY KAY | ASSEMBLED IN AMERICA

**COMPONENTS** J-box, Split Canopies, & Mounting Clips are included and sold separately for replacement



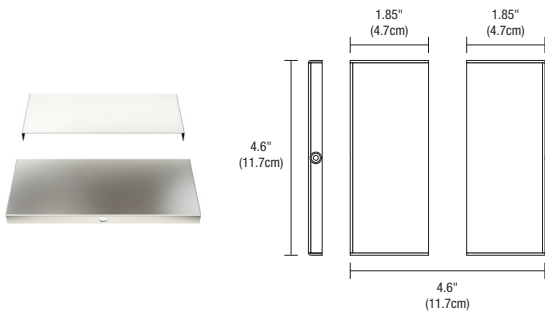
## 1" RECTANGLE CANOPY & J-BOX (INCLUDED WITH 1R SELECTED IN FIXTURE ORDERING CODE)

The Slim-Profile Junction Box with Hanger Bars mounts to studs spaced between 14.5" and 25" apart behind drywall. Allows low voltage DC wires from Remote Power Supply to connect to channel wires. The Junction Box opening is covered by the fixture for a clean, safe connection. Includes a Goof Plate, for poor plastering around J-box.



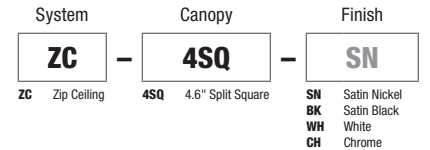
## 1" RECTANGLE CANOPY & J-BOX WITH 50W POWER SUPPLY (ORDER SEPARATELY)

The Slim-Profile Junction Box with Hanger Bars mounts to studs spaced between 14.5" and 25" apart behind drywall. Allows low voltage DC wires from included power supply to connect to channel wires. The Junction Box opening is covered by the fixture for a clean, safe connection. Rated 60 watts for Non-Insulated Ceiling or Wall Power Supply. Rated 50 watts for Insulated Ceiling. Includes a Goof Plate, for poor plastering around J-box.



## 4" SQUARE SPLIT CANOPY (INCLUDED WITH 4S SELECTED IN FIXTURE ORDERING CODE)

The 4" Square Canopy fits on a standard 4" electrical box with round plaster ring. It fits flush along channel while covering Junction Box. The Canopy may float anywhere along the channel and comes in three finishes.

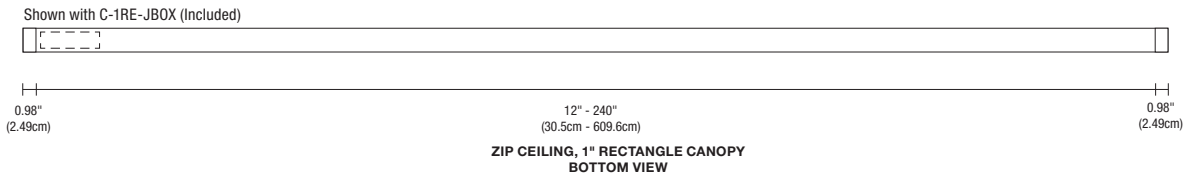
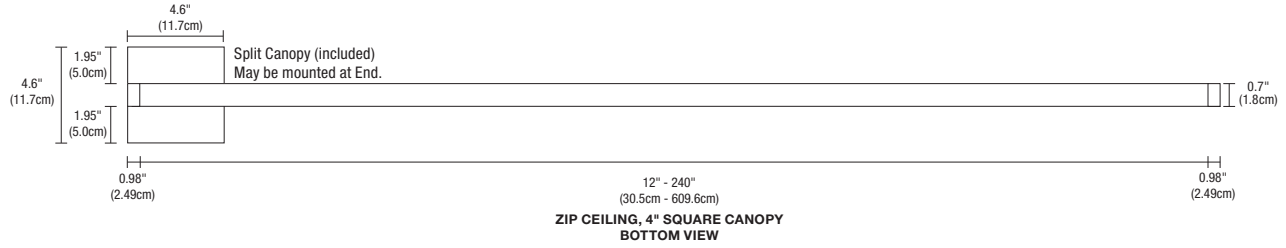


PROJECT		FIXTURE TYPE		DATE	
---------	--	--------------	--	------	--

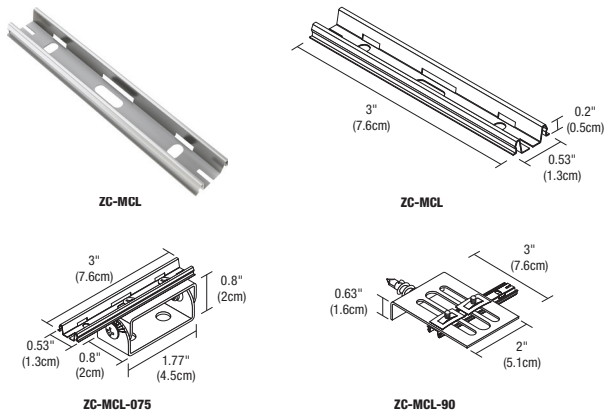
# ZIP CEILING WITH REMOTE POWER

REV.07.05.18 DESIGNED BY GREGORY KAY | ASSEMBLED IN AMERICA

**DRAWINGS** Drawings are shown with the 4" Square Canopy and the 1" Rectangle Canopy



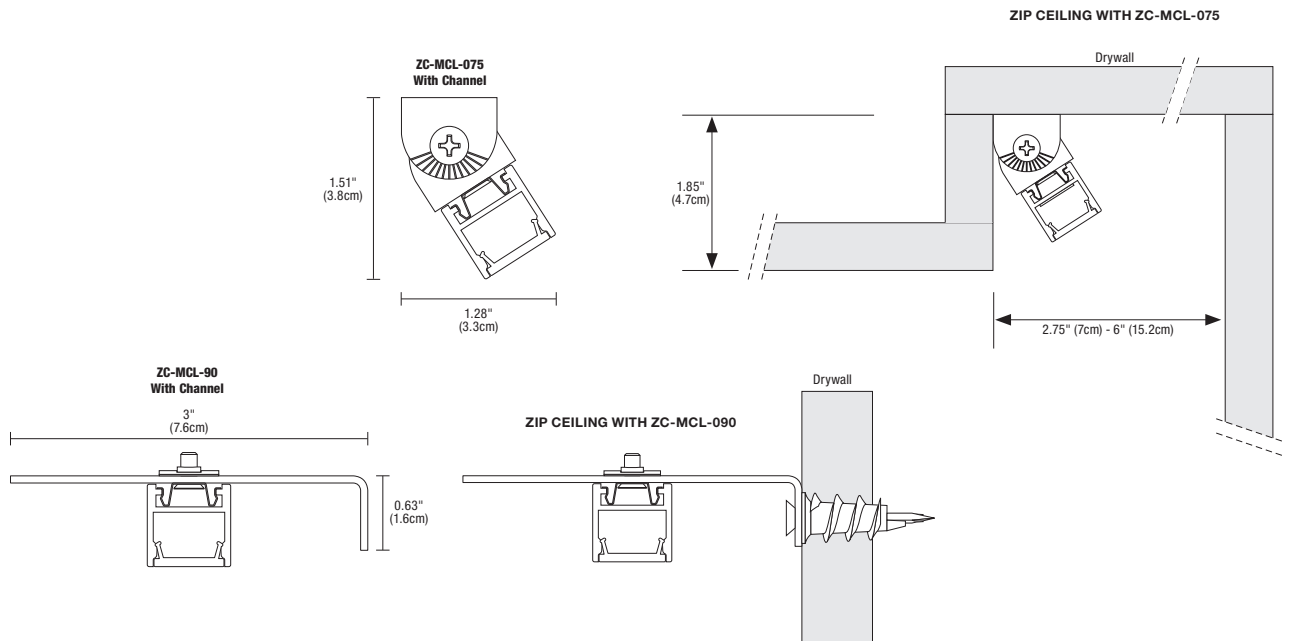
**ADJUSTABLE MOUNTING CLIP** Using the Adjustable Mounting Clip allows you to mount the Channel on the ceiling at various angles



### MOUNTING CLIPS

ZC-MCL Mounting Clips are provided with every two feet of Zip Channel and may be ordered separately as replacement parts. The ZC-MCL-075 rotates Light Channel up to 75°. ZC-MCL-90 mounts Light Channel at a 90° angle.

System	Product	Type
<b>ZC</b>	<b>MCL</b>	<b>STANDARD (LEAVE BLANK)</b>
ZC Zip Channel	MCL Mounting Clip	075 Adjusts 0-75° 90 Adjusts 90°



PROJECT	FIXTURE TYPE	DATE
---------	--------------	------

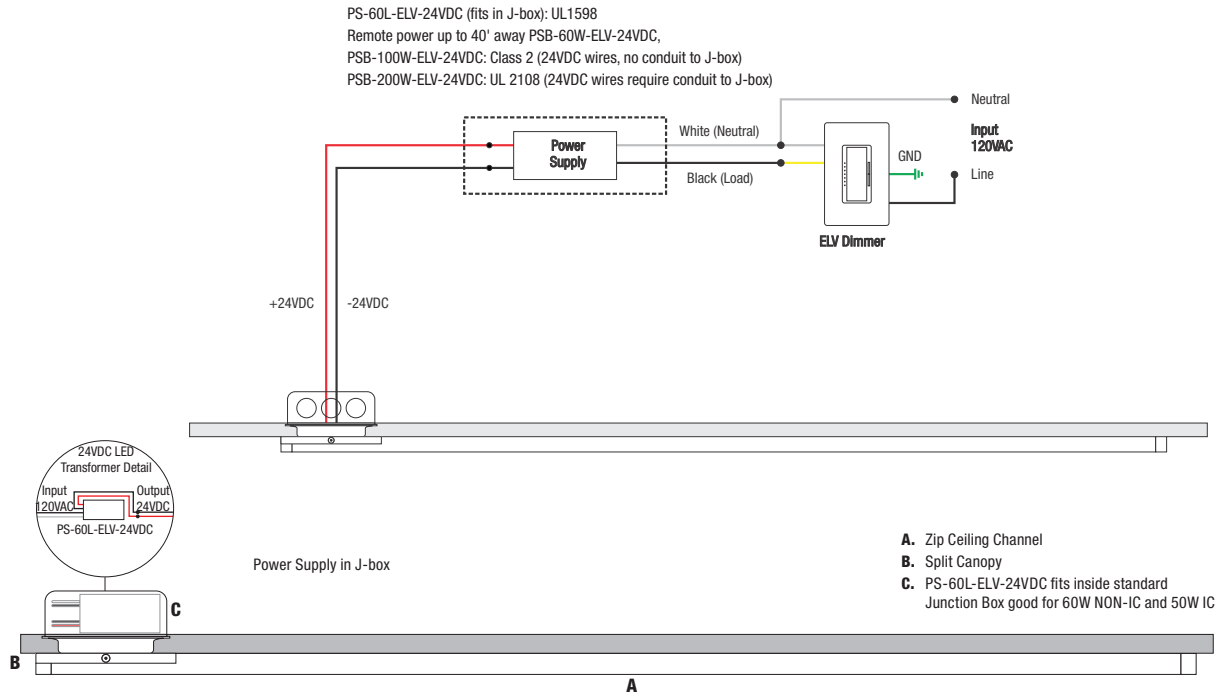
# ZIP CEILING WITH REMOTE POWER

REV.07.05.18

DESIGNED BY GREGORY KAY | ASSEMBLED IN AMERICA

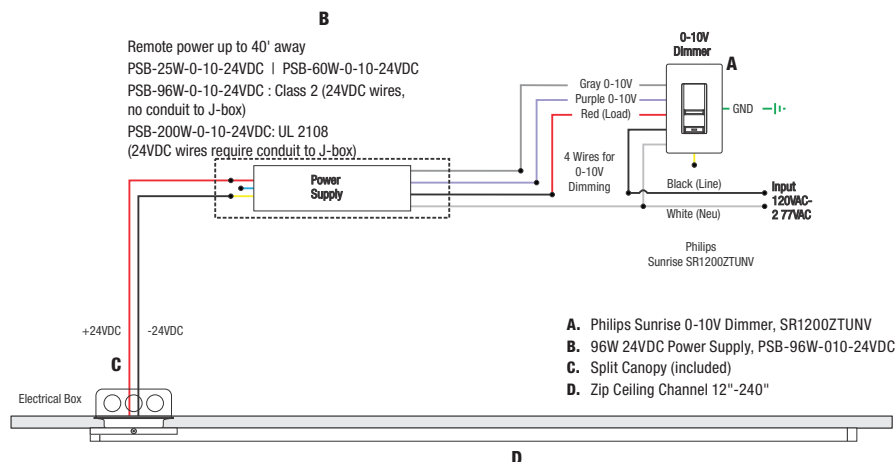
## WIRING DIAGRAM Wiring Diagram for ELV Dimmer

- APPLICATION** ELV dimming for Zip Ceiling, Split Canopy, Static White
- POWER SUPPLY** Class 2, 24VDC output: 120VAC input, PS-60L-ELV-24VDC (Fits in J-box)
- REMOTE POWER SUPPLY** PSB-60W-ELV-24VDC | PSB-100W-ELV-24VDC | UL 2108: PSB-200W-ELV-24VDC
- DIMMING** Dimmable with ELV dimmer: Legrand, Adorne ADTP703TU  
Lutron: Diva DVELV-300P, Skylark SELVz-300P, Maestro MAELV-600 and Radio Ra 2



## WIRING DIAGRAM Wiring Diagram for Static White with 0-10 Volt Dimmers

- APPLICATION** 0-10V dimming for Zip Ceiling, Split Canopy, Static White
- REMOTE POWER SUPPLY** UL Class 2, 24VDC output: 120/277 VAC input, PSB-60W-010-24VDC | PSB-100W-010-24VDC  
UL 2108: PSB-200W-010-24VDC
- DIMMING** Dimmable with 0-10V dimmer: Philips Sunrise SR1200ZTUNV; Lutron: Diva DVTW-WH, Nova-T NTSTV-DV-XX, Grafix Eye QS QSGRJ-XP, Radio RA2 RRD-1-ND; Leviton: LEV40050, IP710-LFZ; Legrand ADPD4FBL3P2W4



PROJECT		FIXTURE TYPE		DATE	
---------	--	--------------	--	------	--

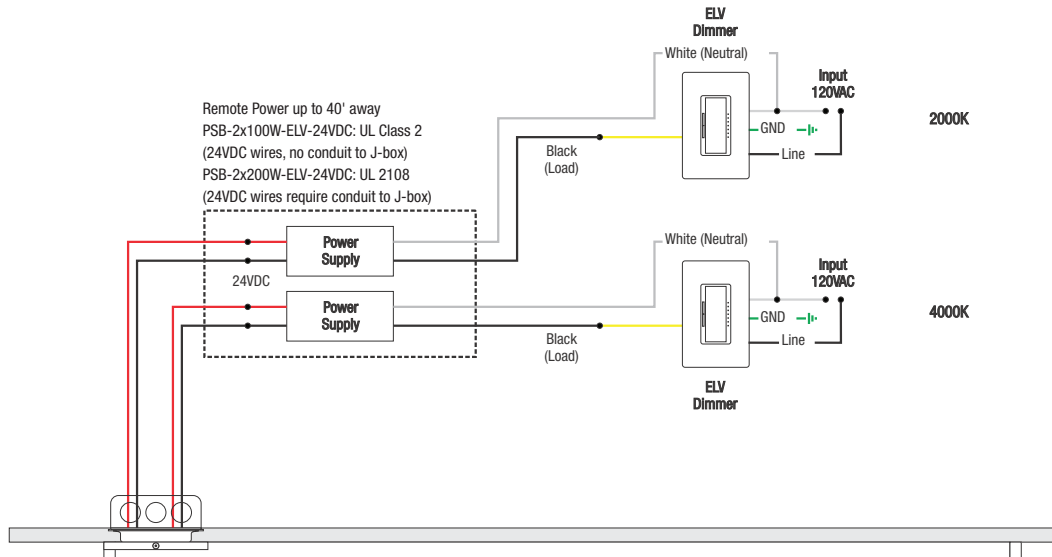
# ZIP CEILING WITH REMOTE POWER

REV.07.05.18

DESIGNED BY GREGORY KAY | ASSEMBLED IN AMERICA

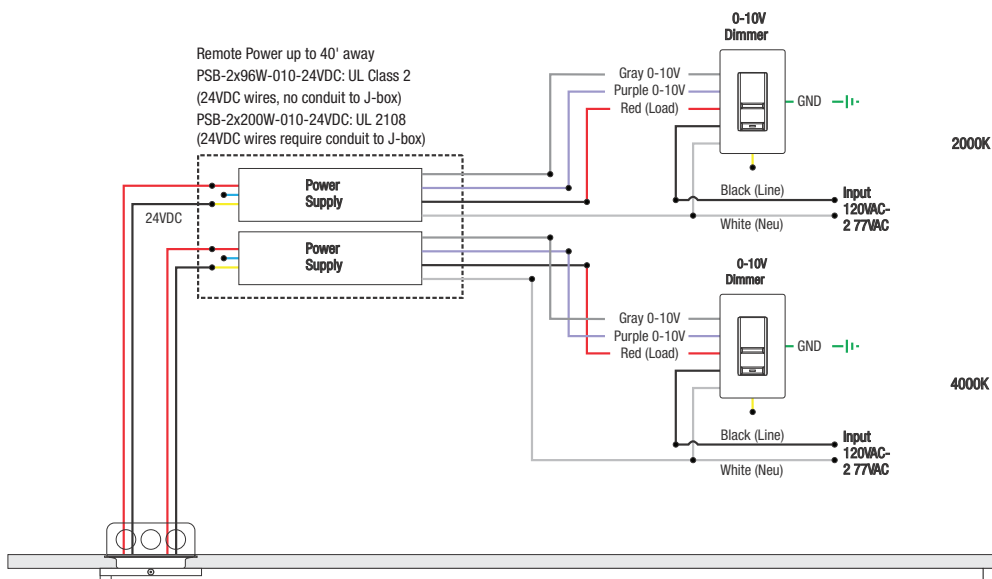
## WIRING DIAGRAM Wiring Diagram for Tunable White with Dual ELV Dimmers

- APPLICATION** ELV dimming for Zip Ceiling, Split Canopy, Tunable White 2000K-4000K
- REMOTE POWER SUPPLY** Class 2, 24VDC output: 120VAC input, PSB-2X100W-ELV-24VDC: Class 2 (24VDC wires, no conduit to J-box)  
PSB-2X200W-ELV-24VDC: UL 2108 (24VDC wires require conduit to J-box)
- DIMMING** Dimmable with ELV dimmer: Legrand, Adorne ADTP703TU  
Lutron: Diva DVELV-300P, Skylark SELVz-300P, Maestro MAELV-600 and Radio Ra 2



## WIRING DIAGRAM Wiring Diagram for Tunable White with Dual 0-10 Volt Dimmers

- APPLICATION** 0-10V dimming for Zip Ceiling, Split Canopy, Tunable White 2000K-4000K
- REMOTE POWER SUPPLY** Class 2, 24VDC output: 120/277 VAC input, PSB-2X96W-010-24VDC: Class 2 (24VDC wires, no conduit to J-box)  
PSB-2X200W-010-24VDC: UL 2108 (24VDC wires require conduit to J-box)
- DIMMING** Dimmable with 0-10 dimmer: Philips: Sunrise SR1200ZTUNV; Lutron: Diva DVTW-WH, Nova-T NTSTV-DV-XX, Grafix Eye QS QSGRJ-XP, Radio RA2 RRD-1-ND; Leviton: LEV40050, IP710-LFZ; Legrand ADPD4FBL3P2W4, Lutron: Diva DVELV-300P, Skylark SELVz-300P, Maestro MAELV-600 and Radio Ra 2



PROJECT	FIXTURE TYPE	DATE
---------	--------------	------

# ZIP CEILING WITH REMOTE POWER

REV.07.05.18

DESIGNED BY GREGORY KAY | ASSEMBLED IN AMERICA

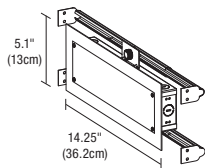
## REQUIRED COMPONENTS 24VDC ELV Compatible Power Supplies

ELECTRONIC LOW-VOLTAGE (ELV) POWER SUPPLIES & RECOMMENDED DIMMERS <sup>†</sup>				
ORDERING CODE	PS-60L-ELV-24VDC	PSB-60W-ELV-24VDC	PSB-2X60W-ELV-24VDC	PSB-100W-ELV-24VDC
SPECIFICATIONS				
MAXIMUM LOAD	60W NON-IC, 50W-IC (FITS IN J-BOX)	60W	2X60W	96W
INPUT VOLTAGE	120VAC	120VAC	120VAC	120VAC
OUTPUT VOLTAGE	24VDC	24VDC	24VDC	24VDC
DIMENSIONS	2.25" X 1.25" X 0.83"	8.125" X 2" X 1.75"	12.15" X 6.48" X 2.18"	9.25" X 3.5" X 2"
CLASSIFICATION	CLASS 2	CLASS 2	CLASS 2	CLASS 2
IN-WALL MOUNTING	N/A	PSB-60W-ELV-24VDC-IW	PSB-2X60W-ELV-24VDC-IW	PSB-100W-ELV-24VDC-IW
DIMMING & CONTROLS				
LUTRON DIVA: DVELV-300P	•	•	•	•
LUTRON SKYLARK: SELV-300P	•	•	•	•
LUTRON RADIO RA2: RRD-6NA	N/A	•	•	•
LUTRON MAESTRO: MAELV-600	•	•	•	•
LEGRAND ADORNE: ADTP-703TUM4	N/A	•	•	•

ELECTRONIC LOW-VOLTAGE (ELV) POWER SUPPLIES & RECOMMENDED DIMMERS <sup>†</sup>					
ORDERING CODE	PSB-2X100W-ELV-24VDC	PSB-3X100W-ELV-24VDC	PSB-4X100W-ELV-24VDC	PSB-200W-ELV-24VDC	PSB-2X200W-ELV-24VDC
SPECIFICATIONS					
MAXIMUM LOAD	2X96W	3X96W	4X96W	200W	2X200W
INPUT VOLTAGE	120VAC	120VAC	120VAC	120VAC	120VAC
OUTPUT VOLTAGE	24VDC	24VDC	24VDC	24VDC	24VDC
DIMENSIONS	12.15" X 6.48" X 2.18"	14" X 10" X 3"	17" X 13" X 3"	12.15" X 6.48" X 2.18"	14" X 10" X 3"
CLASSIFICATION	CLASS 2	CLASS 2	CLASS 2	UL1598*	UL1598*
IN-WALL MOUNTING	PSB-2X100W-ELV-24VDC-IW	N/A	N/A	PSB-200W-ELV-24VDC-IW	N/A
DIMMING & CONTROLS					
LUTRON DIVA: DVELV-300P	•	•	•	•	•
LUTRON SKYLARK: SELV-300P	•	•	•	•	•
LUTRON RADIO RA2: RRD-6NA	•	•	•	•	•
LUTRON MAESTRO: MAELV-600	•	•	•	•	•
LEGRAND ADORNE: ADTP-703TUM4	•	•	•	•	•

<sup>†</sup> 2400K-5700K Color Temperatures are compatible with 0-10V, ELV, and Lutron Hi-Lume® Power Supplies. Warm Dim (27D, 30D) Color Temperatures are only compatible with ELV Power Supplies. Tunable White (2K4K) Color Temperature is compatible with 0-10V, ELV, DMX, and Lutron Hi-Lume® Power Supplies. Dynamic Color (RGB) and Static Color (Blue, Green, or Red) are compatible with DMX Power Supplies.

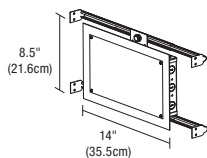
Classification: UL2108 - \* 24VDC over 100 Watts, wires must be in conduit from Remote Power Supply to Junction Box in ceiling.



### 5.1" X 14.25" IN-WALL MOUNTING KIT

Includes Power Supply, Box Cover, and Stud Hangers for installing Junction Box in wall. Select "IW" in the options section of compatible Power Supply ordering codes if an In-Wall Mounting Kit is needed.

**ORDERING CODES:** PSB-60W-ELV-24VDC-IW, PSB-100W-ELV-24VDC-IW



### 8.5" X 14" IN-WALL MOUNTING KIT

Includes Power Supply, Box Cover, and Stud Hangers for installing Junction Box in wall. Select "IW" in the options section of compatible Power Supply ordering codes if an In-Wall Mounting Kit is needed.

**ORDERING CODES:** PSB-2X60W-ELV-24VDC-IW, PSB-2X100W-ELV-24VDC-IW, PSB-200W-ELV-24VDC-IW

PROJECT		FIXTURE TYPE		DATE	
---------	--	--------------	--	------	--

# ZIP CEILING WITH REMOTE POWER

REV.07.05.18

DESIGNED BY GREGORY KAY | ASSEMBLED IN AMERICA

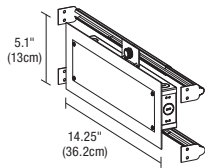
## REQUIRED COMPONENTS 24VDC 0-10V Compatible Power Supplies

0-10 VOLT (010) POWER SUPPLIES & RECOMMENDED DIMMERS†				
ORDERING CODE	PSB-25W-010-24VDC	PSB-60W-010-24VDC	PSB-96W-010-24VDC	PSB-2X96W-010-24VDC
SPECIFICATIONS				
MAXIMUM LOAD	25W	60W	96W	2X96W
INPUT VOLTAGE	120VAC	120-277VAC	120-277VAC	120-277VAC
OUTPUT VOLTAGE	24VDC	24VDC	24VDC	24VDC
DIMENSIONS	12.4" X 3.12" X 2.18"	12.4" X 3.12" X 2.18"	12.4" X 3.12" X 2.18"	12.15" X 6.48" X 2.18"
CLASSIFICATION	CLASS 2	CLASS 2	CLASS 2	CLASS 2
IN-WALL MOUNTING	PSB-25W-010-24VDC-IW	PSB-60W-010-24VDC-IW	PSB-96W-010-24VDC-IW	PSB-2X96W-010-24VDC-IW
DIMMING & CONTROLS				
PHILIPS SUNRISE: SR1200ZTUNV	•	•	•	•
LUTRON DIVA: DVTW-WH	•	•	•	•
LUTRON NOVA T: NTSTV-DV-XX	•	•	•	•
LUTRON GRAFIX EYE QS: QSGRJ-XP	•	•	•	•
LUTRON RADIO RA2: RRD-10ND	•	•	•	•
LEVITON: LEV40050	•	•	•	•
LEVITON IP710-LFZ	•	•	•	•
LEGRAND: ADPD4FBL3P2W4	•	•	•	•

0-10 VOLT (010) POWER SUPPLIES & RECOMMENDED DIMMERS†				
ORDERING CODE	PSB-3X96W-010-24VDC	PSB-4X96W-010-24VDC	PSB-200W-010-24VDC	PSB-2X200W-010-24VDC
SPECIFICATIONS				
MAXIMUM LOAD	3X96W	4X96W	200W	2X200W
INPUT VOLTAGE	120-277VAC	120-277VAC	120VAC	120VAC
OUTPUT VOLTAGE	24VDC	24VDC	24VDC	24VDC
DIMENSIONS	14" X 10" X 3"	17" X 13" X 3"	12.15" X 6.48" X 2.18"	14" X 10" X 3"
CLASSIFICATION	CLASS 2	CLASS 2	UL1598*	UL1598*
IN-WALL MOUNTING	N/A	N/A	PSB-200W-010-24VDC-IW	N/A
DIMMING & CONTROLS				
PHILIPS SUNRISE: SR1200ZTUNV	•	•	•	•
LUTRON DIVA: DVTW-WH	•	•	•	•
LUTRON NOVA T: NTSTV-DV-XX	•	•	•	•
LUTRON GRAFIX EYE QS: QSGRJ-XP	•	•	•	•
LUTRON RADIO RA2: RRD-10ND	•	•	•	•
LEVITON: LEV40050	•	•	•	•
LEVITON IP710-LFZ	•	•	•	•
LEGRAND: ADPD4FBL3P2W4	•	•	•	•

† 2400K-5700K Color Temperatures are compatible with 0-10V, ELV, and Lutron Hi-lume® Power Supplies. Warm Dim (27D, 30D) Color Temperatures are only compatible with ELV Power Supplies. Tunable White (2K4K) Color Temperature is compatible with 0-10V, ELV, DMX, and Lutron Hi-lume® Power Supplies. Dynamic Color (RGB) and Static Color (Blue, Green, or Red) are compatible with DMX Power Supplies.

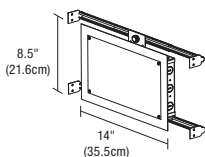
Classification: UL2108 - \* 24VDC over 100 Watts, wires must be in conduit from Remote Power Supply to Junction Box in ceiling.



### 5.1" X 14.25" IN-WALL MOUNTING KIT

Includes Power Supply, Box Cover, and Stud Hangers for installing Junction Box in wall. Select "IW" in the options section of compatible Power Supply ordering codes if an In-Wall Mounting Kit is needed.

ORDERING CODES: PSB-25W-010-24VDC-IW, PSB-60W-010-24VDC-IW, PSB-96W-010-24VDC-IW



### 8.5" X 14" IN-WALL MOUNTING KIT

Includes Power Supply, Box Cover, and Stud Hangers for installing Junction Box in wall. Select "IW" in the options section of compatible Power Supply ordering codes if an In-Wall Mounting Kit is needed.

ORDERING CODES: PSB-2X96W-010-24VDC-IW, PSB-200W-010-24VDC-IW

PROJECT		FIXTURE TYPE		DATE	
---------	--	--------------	--	------	--






# ZIP CEILING WITH REMOTE POWER

REV.07.05.18

DESIGNED BY GREGORY KAY | ASSEMBLED IN AMERICA

## REQUIRED COMPONENTS 24VDC Lutron Compatible Power Supply

### LUTRON HI-LUME® PREMIER .1% ECOSYSTEM® 3-WIRE POWER SUPPLY & RECOMMENDED CONTROLLERS†

<b>ORDERING CODE</b>	<p><b>L3D0-96W24V-U</b></p> 
<b>SPECIFICATIONS</b>	
<b>MAXIMUM LOAD</b>	96W
<b>INPUT VOLTAGE</b>	120-277VAC
<b>OUTPUT VOLTAGE</b>	24VDC
<b>DIMENSIONS</b>	10.5" X 5.5" X 2"
<b>CLASSIFICATION</b>	CLASS 2
<b>DIMMING &amp; CONTROLS</b>	
<b>RADIO RA2</b>	•
<b>HOMEWORKS QS</b>	•
<b>PHPM-3F-120</b>	•
<b>PHPM-3F-DV</b>	•
<b>BCI-0-10</b>	•

† 2400K-5700K Color Temperatures are compatible with 0-10V, ELV, and Lutron Hi-lume® Power Supplies. Warm Dim (27D, 30D) Color Temperatures are only compatible with ELV Power Supplies. Tunable White (2K4K) Color Temperature is compatible with 0-10V, ELV, DMX, and Lutron Hi-lume® Power Supplies. Dynamic Color (RGB, RGB+W) and Static Color (Amber, Blue, Green, or Red) are compatible with DMX Power Supplies.

PROJECT		FIXTURE TYPE		DATE	
---------	--	--------------	--	------	--

# TUNABLE WHITE TOUCH CONTROLLER

REV.07.05.18



## DESCRIPTION

The Tunable White Touch Controller is a full-touch controller that offers fast and accurate color temperature adjustment and independent brightness dimming of a single zone. Designed for Tunable White and Dual-Color LED installations, this controller adjusts color temperature and brightness for warm and cool white LEDs. It also saves three preset scenes. Independent smooth dimming with a 256 level brightness adjustment enables the DMX controller to achieve many colors within the full LED spectrum. Controller includes a Power Adapter that fits in Junction Box (not included) behind the controller. It contains an illuminated back light when powered off.

## APPLICATIONS

Indoor

## INSTALLATION

Fits in a single gang 2.5" deep Junction Box, not to be used with a Multi-Gang Box

## POWER INPUT

120/277VAC

## COMPATIBLE POWER SUPPLIES (SOLD SEPARATELY)

PSB-100W-24VDC-2XK 100W output, 120/277V Input

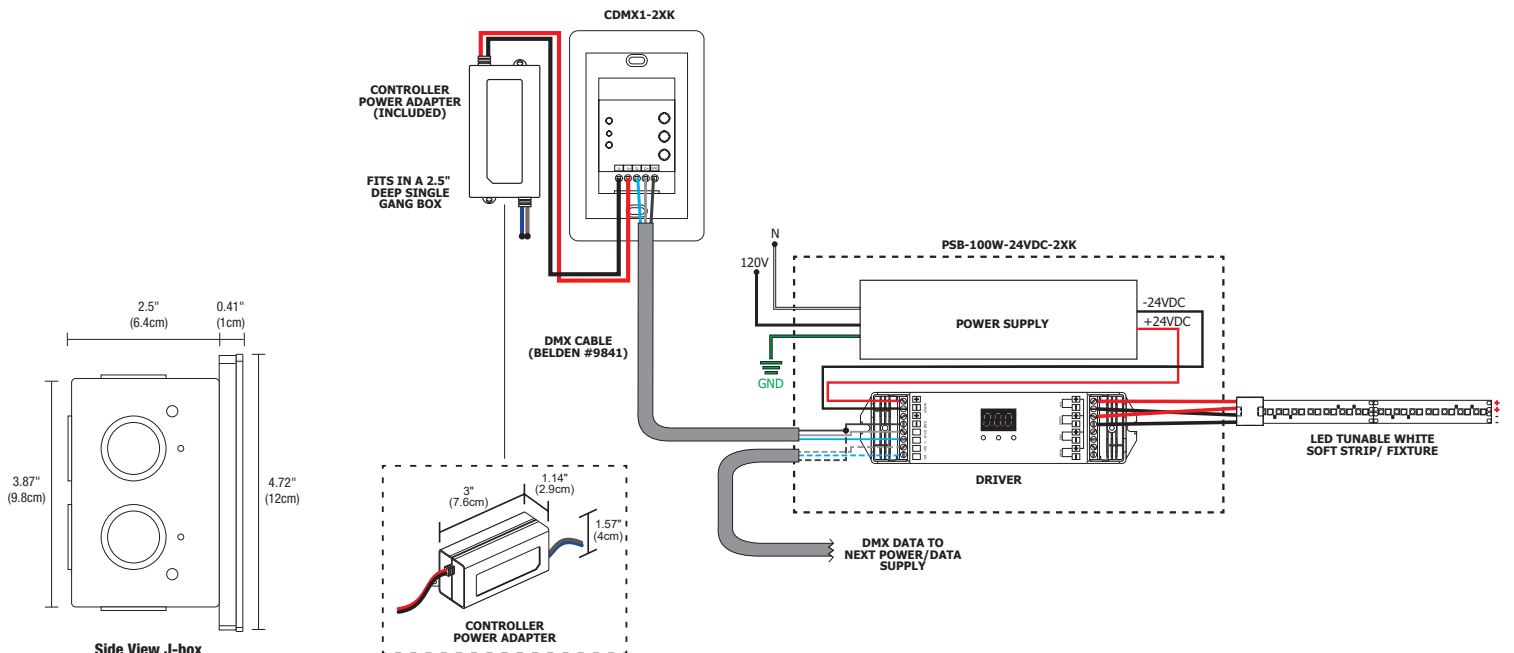
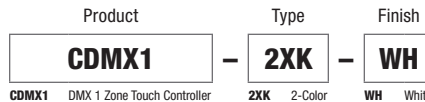
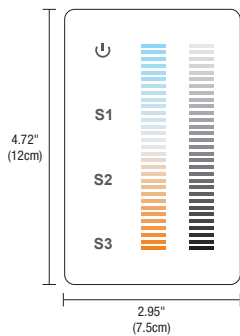
PSB-2X100W-24VDC-2XK 2x100W output, 120/277V Input

PSB-3X100W-24VDC-2XK 3x100W output, 120/277V Input

PSB-4X100W-24VDC-2XK 4x100W output, 120/277V Input

## OUTPUT SIGNAL

USITT DMX 512 (1990)



PROJECT		FIXTURE TYPE		DATE	
---------	--	--------------	--	------	--







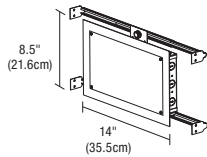
# ZIP CEILING WITH REMOTE POWER

REV.07.05.18

DESIGNED BY GREGORY KAY | ASSEMBLED IN AMERICA

## REQUIRED COMPONENTS 24VDC DMX 2XK Tunable White Compatible Power Supplies

DYNAMIC COLOR CHANGING (DMX) POWER SUPPLIES & RECOMMENDED CONTROLLERS <sup>†</sup>				
<b>ORDERING CODE</b>	<b>PSB-100W-24VDC-2XK</b> 	<b>PSB-2X100W-24VDC-2XK</b> 	<b>PSB-3X100W-24VDC-2XK</b> 	<b>PSB-4X100W-24VDC-2XK</b> 
<b>SPECIFICATIONS</b>				
<b>MAXIMUM LOAD</b>	100W	2X100W	3X100W	4X100W
<b>INPUT VOLTAGE</b>	120-277VAC	120-277VAC	120-277VAC	120-277VAC
<b>OUTPUT VOLTAGE</b>	24VDC	24VDC	24VDC	24VDC
<b>DIMENSIONS</b>	12.14" X 6.48" X 2.18"	14" X 10" X 3"	17" X 13" X 3"	17" X 13" X 3"
<b>CLASSIFICATION</b>	CLASS 2	CLASS 2	CLASS 2	CLASS 2
<b>IN-WALL MOUNTING</b>	PSB-100W-24VDC-2XK-IW	N/A	N/A	N/A
<b>DIMMING &amp; CONTROLS</b>				
<b>TUNABLE WHITE TOUCH CONTROLLER (CDMX1-2XK)</b>	•	•	•	•



### 8.5" X 14" IN-WALL MOUNTING KIT

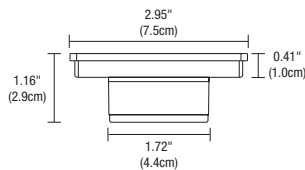
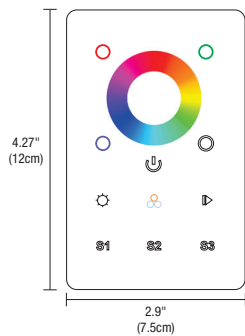
Includes Power Supply, Box Cover, and Stud Hangers for installing Junction Box in wall. Select "IW" in the options section of compatible Power Supply ordering codes if an In-Wall Mounting Kit is needed.

**ORDERING CODES:** PSB-100W-24VDC-2XK-IW

PROJECT		FIXTURE TYPE		DATE	
---------	--	--------------	--	------	--

# DMX 1 ZONE RGBW TOUCH CONTROLLER

REV.07.05.18



## DESCRIPTION

Full Touch Controller offers fast and accurate color tone adjustment and independent brightness control. The 1 zone controller can adjust RGB and RGBW LEDs smoothly and accurately. Independent smooth dimming of each channel enables the controller to achieve millions of colors. For indoor applications only, and includes a Power Adapter to operate the controller.

## APPLICATIONS

Indoor

## INSTALLATION

Fits in a Single Gang Junction Box, not to be used with a Multi-Gang Box

## POWER INPUT

120/277VAC

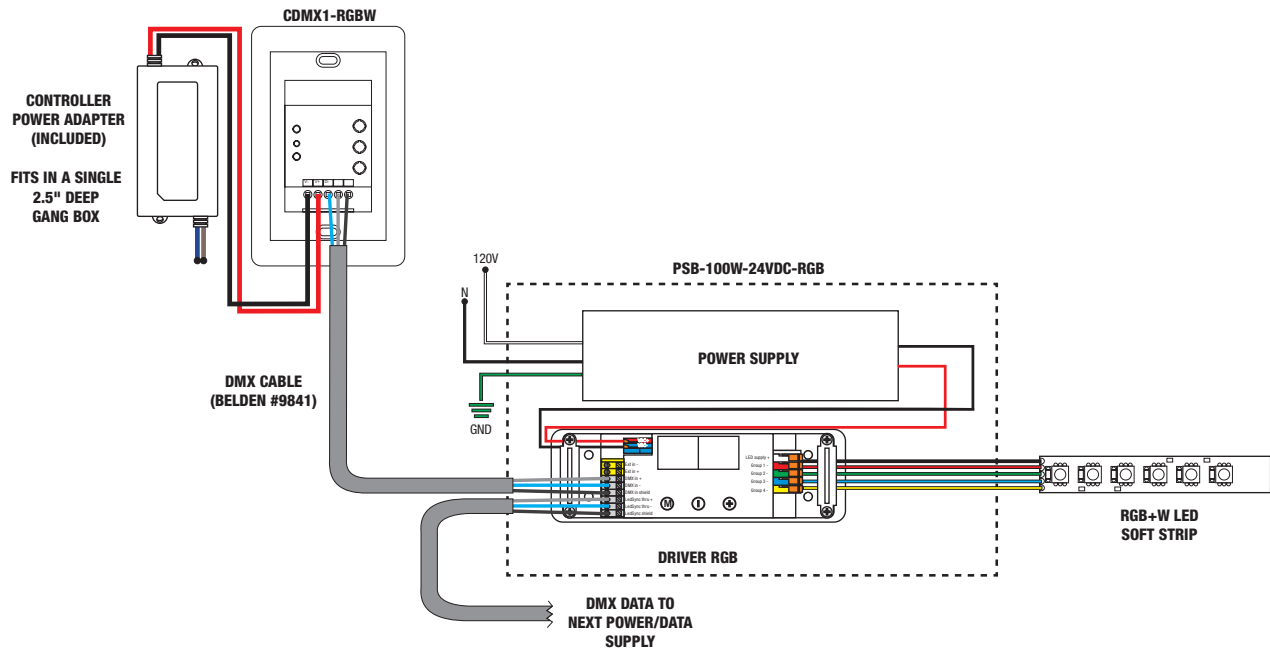
## COMPATIBLE POWER SUPPLIES (SOLD SEPARATELY)

- PSB-100W-24VDC-RGB 100W output, 120/277V Input
- PSB-200W-24VDC-RGB 100W output, 120/277V Input
- PSB-400W-24VDC-RGB 100W output, 120/277V Input
- PSB-2X100W-24VDC-RGB 2x100W output, 120/277V Input
- PSB-3X100W-24VDC-RGB 3x100W output, 120/277V Input
- PSB-4X100W-24VDC-RGB 4x100W output, 120/277V Input

## OUTPUT SIGNAL

USITT DMX 512 (1990)

Product	Type	Finish
<b>CDMX1</b>	<b>RGBW</b>	<b>WH</b>
CDMX1 DMX 1 Zone Touch Controller	RGBW RGB & RGBW	WH White



PROJECT		FIXTURE TYPE		DATE	
---------	--	--------------	--	------	--

# ZIP CEILING WITH REMOTE POWER

REV.07.05.18

DESIGNED BY GREGORY KAY | ASSEMBLED IN AMERICA

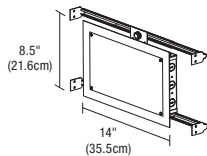
## REQUIRED COMPONENTS 24VDC DMX RGB Compatible Power Supplies

DYNAMIC COLOR CHANGING (DMX) POWER SUPPLIES & RECOMMENDED CONTROLLERS <sup>†</sup>					
ORDERING CODE	PS-25W-24VDC	PSB-100W-24VDC-RGB	PSB-2X100W-24VDC-RGB	PSB-3X100W-24VDC-RGB	PSB-4X100W-24VDC-RGB
SPECIFICATIONS					
MAXIMUM LOAD	25W	100W	2X100W	3X100W	4X100W
INPUT VOLTAGE	100-277VAC	120-277VAC	120-277VAC	120-277VAC	120-277VAC
OUTPUT VOLTAGE	24VDC	24VDC	24VDC	24VDC	24VDC
DIMENSIONS	5.25" X 1.57" X 1.2"	12.14" X 6.48" X 2.18"	14" X 10" X 3"	17" X 13" X 3"	17" X 13" X 3"
CLASSIFICATION	CLASS 2	CLASS 2	CLASS 2	CLASS 2	CLASS 2
IN-WALL MOUNTING	N/A	PSB-100W-24VDC-RGB-IW	N/A	N/A	N/A
DIMMING & CONTROLS					
TOUCH SCREEN CONTROLLER (CTP)	N/A	•	•	•	•
COLOR DIAL CONTROLLER (CDP)	N/A	•	•	•	•
DMX 1 ZONE RGBW TOUCH CONTROLLER (CDMX1-RGBW)	N/A	•	•	•	•

DYNAMIC COLOR CHANGING (DMX) POWER SUPPLIES & RECOMMENDED CONTROLLERS <sup>†</sup>			
ORDERING CODE	PSB-200W-24VDC-RGB	PSB-400W-24VDC-RGB	PSB-100W-24VDC-DALI
SPECIFICATIONS			
MAXIMUM LOAD	200W	400W	100W
INPUT VOLTAGE	120-240VAC	120-240VAC	120-277VAC
OUTPUT VOLTAGE	24VDC	24VDC	24VDC
DIMENSIONS	12" X 8" X 4.3"	12" X 8" X 6.5"	12.14" X 6.48" X 2.18"
CLASSIFICATION	UL1598*	UL1598*	CLASS 2
IN-WALL MOUNTING	N/A	N/A	PSB-100W-24VDC-DALI-IW
DIMMING & CONTROLS			
TOUCH SCREEN CONTROLLER (CTP)	•	•	•
DMX 1 ZONE RGBW TOUCH CONTROLLER (CDMX1-RGBW)	•	•	•
DALI COMPATIBLE	•	•	•

<sup>†</sup> 2400K-5700K Color Temperatures are compatible with 0-10V, ELV, and Lutron Hi-lume® Power Supplies. Warm Dim (27D, 30D) Color Temperatures are only compatible with ELV Power Supplies. Tunable White (2K4K) Color Temperature is compatible with 0-10V, ELV, DMX, and Lutron Hi-lume® Power Supplies. Dynamic Color (RGB, RGB+W) and Static Color (Amber, Blue, Green, or Red) are compatible with DMX Power Supplies.

Classification: UL2108 - \* 24VDC over 100 Watts, wires must be in conduit from Remote Power Supply to J-box.



### 8.5" X 14" IN-WALL MOUNTING KIT

Includes Power Supply, Box Cover, and Stud Hangers for installing Junction Box in wall. Select "IW" in the options section of compatible Power Supply ordering codes if an In-Wall Mounting Kit is needed.

**ORDERING CODES:** PSB-100W-24VDC-RGB-IW

PROJECT		FIXTURE TYPE		DATE	
---------	--	--------------	--	------	--



# ZIP CEILING WITH REMOTE POWER

REV.07.05.18

DESIGNED BY GREGORY KAY | ASSEMBLED IN AMERICA

## LENGTH CHART Actual lengths for Zip Ceiling

22K, 27K, 30K, 35K, 40K, 57K, 2K4K & RGB											
Ordering Code (Nominal Size)	Actual Length (Inches)	Actual Length (Chrome)	Ordering Code (Nominal Size)	Actual Length (Inches)	Actual Length (Chrome)	Ordering Code (Nominal Size)	Actual Length (Inches)	Actual Length (Chrome)	Ordering Code (Nominal Size)	Actual Length (Inches)	Actual Length (Chrome)
12	13.1	13.1	168	169.5	169.5	324	325.9	326.3	480	482.2	483.0
15	15.5	15.5	171	171.9	172.3	327	328.3	328.7	483	485.0	485.4
17	17.9	17.9	173	174.3	174.7	329	330.7	331.1	485	487.4	487.8
20	20.3	20.3	176	176.7	177.1	332	333.1	333.5	488	489.8	490.2
22	22.7	22.7	178	179.1	179.5	334	335.5	335.9	490	492.2	492.6
24	25.1	25.1	180	181.5	181.9	336	337.9	338.3	492	494.6	495.0
27	27.5	27.5	183	183.9	184.3	339	340.3	341.1	495	497.0	497.4
29	29.9	29.9	185	186.3	186.7	341	342.7	343.5	497	499.4	499.8
32	32.3	32.3	188	188.7	189.1	344	345.0	345.9	500	501.8	502.2
34	34.7	34.7	190	191.1	191.5	346	347.4	348.3	502	504.2	504.6
36	37.1	37.1	192	193.5	193.9	348	349.8	350.7	504	506.6	507.0
39	39.5	39.5	195	195.9	196.3	351	352.2	353.0	507	509.0	509.8
41	41.9	41.9	197	198.3	198.7	353	354.6	355.4	509	511.4	512.2
44	44.3	44.3	200	200.7	201.1	356	357.0	357.8	512	513.8	514.6
46	46.7	46.7	202	203.1	203.5	358	359.4	360.2	514	516.2	517.0
48	49.1	49.1	204	205.5	205.9	360	361.8	362.6	516	518.6	519.4
51	51.5	51.5	207	207.9	208.3	363	364.6	365.0	519	521.0	521.8
53	53.9	53.9	209	210.3	210.7	365	367.0	367.4	521	523.4	524.2
56	56.3	56.3	212	212.7	213.1	368	369.4	369.8	524	525.8	526.6
58	58.7	58.7	214	215.1	215.5	370	371.8	372.2	526	528.2	529.0
60	61.1	61.1	216	217.5	217.9	372	374.2	374.6	528	530.6	531.4
63	63.5	63.5	219	219.9	220.3	375	376.6	377.0	531	533.0	533.8
65	65.9	65.9	221	222.3	222.7	377	379.0	379.4	533	535.4	536.2
68	68.3	68.3	224	224.7	225.1	380	381.4	381.8	536	537.8	538.6
70	70.7	70.7	226	227.1	227.5	382	383.8	384.2	538	540.2	541.0
72	73.1	73.1	228	229.5	229.9	384	386.2	386.6	540	542.6	543.4
75	75.5	75.5	231	231.9	232.3	387	388.6	389.0	543	545.0	545.8
77	77.9	77.9	233	234.3	234.7	389	391.0	391.4	545	547.4	548.2
80	80.3	80.3	236	236.7	237.1	392	393.4	393.8	548	549.8	550.6
82	82.7	82.7	238	239.1	239.5	394	395.8	396.2	550	552.2	553.0
84	85.1	85.1	240 (2K4K & RGB max)	241.5	241.9	396	398.2	398.6	552	554.6	555.4
87	87.5	87.9	243	244.3	244.3	399	400.6	401.0	555	557.0	557.8
89	89.9	90.3	245	246.7	246.7	401	403.0	403.4	557	559.4	560.2
92	92.3	92.7	248	249.1	249.1	404	405.4	405.8	560	561.8	562.6
94	94.7	95.1	250	251.5	251.5	406	407.8	408.2	562	564.2	565.0
96	97.1	97.5	252	253.9	253.9	408	410.2	410.6	564	566.6	567.4
99	99.5	99.9	255	256.3	256.7	411	412.6	413.0	567	569.0	569.8
101	101.9	102.3	257	258.7	259.1	413	415.0	415.4	569	571.4	572.2
104	104.3	104.7	260	261.1	261.5	416	417.4	417.8	572	573.8	574.6
106	106.7	107.1	262	263.5	263.9	418	419.8	420.2	574	576.2	577.0
108	109.1	109.5	264	265.9	266.3	420	422.2	422.6	576	578.6	579.4
111	111.5	111.9	267	268.3	268.7	423	424.6	425.0	579	581.0	581.8
113	113.9	114.3	269	270.7	271.1	425	427.0	427.4	581	583.4	584.2
116	116.3	116.7	272	273.1	273.5	428	429.4	430.2	584	585.8	586.6
118	118.7	119.1	274	275.5	275.9	430	431.8	432.6	586	588.2	589.0
120	121.1	121.5	276	277.9	278.3	432	434.2	435.0	588	590.6	591.4
123	123.9	123.9	279	280.3	280.7	435	436.6	437.4	591	593.0	594.2
125	126.3	126.3	281	282.7	283.1	437	439.0	439.8	593	595.4	596.6
128	128.7	128.7	284	285.1	285.5	440	441.4	442.2	596	597.8	599.0
130	131.1	131.1	286	287.5	287.9	442	443.8	444.6	598	600.2	601.4
132	133.5	133.5	288	289.9	290.3	444	446.2	447.0	600	602.6	603.8
135	135.9	135.9	291	292.3	292.7	447	448.6	449.4	603	605.4	606.2
137	138.3	138.3	293	294.7	295.1	449	451.0	451.8	605	607.8	608.6
140	140.7	140.7	296	297.1	297.5	452	453.4	454.2	608	610.2	611.0
142	143.1	143.1	298	299.5	299.9	454	455.8	456.6	610	612.6	613.4
144	145.5	145.5	300	301.9	302.3	456	458.2	459.0	612	615.0	615.8
147	147.9	147.9	303	304.3	304.7	459	460.6	461.4	615	617.4	618.2
149	150.3	150.3	305	306.7	307.1	461	463.0	463.8	617	619.8	620.6
152	152.7	152.7	308	309.1	309.5	464	465.4	466.2	620	622.2	623.0
154	155.1	155.1	310	311.5	311.9	466	467.8	468.6	622	624.6	625.4
156	157.5	157.5	312	313.9	314.3	468	470.2	471.0	624	627.0	627.8
159	159.9	159.9	315	316.3	316.7	471	472.6	473.4	627	629.4	630.2
161	162.3	162.3	317	318.7	319.1	473	475.0	475.8	629	631.8	632.6
164	164.7	164.7	320	321.1	321.5	476	477.4	478.2	632	634.2	635.0
166	167.1	167.1	322	323.5	323.9	478	479.8	480.6			

Cont'd on next page

PROJECT		FIXTURE TYPE		DATE	
---------	--	--------------	--	------	--



# ZIP CEILING WITH REMOTE POWER

REV.07.05.18

DESIGNED BY GREGORY KAY | ASSEMBLED IN AMERICA

## LENGTH CHART Actual lengths for Zip Ceiling

22K, 27K, 30K, 35K, 40K, 57K, 2K4K & RGB			27D & 30D								
Ordering Code (Nominal Size)	Actual Length (Inches)	Actual Length (Chrome)	Ordering Code (Nominal Size)	Actual Length (Inches)	Actual Length (Chrome)	Ordering Code (Nominal Size)	Actual Length (Inches)	Actual Length (Chrome)	Ordering Code (Nominal Size)	Actual Length (Inches)	Actual Length (Chrome)
634	636.6	637.4	12	13.1	13.1	150	151.5	151.5	288	289.5	290.3
636	639.0	639.8	15	16.1	16.1	153	154.5	154.5	291	292.5	293.3
639	641.4	642.2	18	19.1	19.1	156	157.5	157.5	294	295.5	296.3
641	643.8	644.6	21	22.1	22.1	159	160.5	160.5	297	298.5	299.3
644	646.2	647.0	24	25.1	25.1	162	163.5	163.5	300	301.5	302.3
646	648.6	649.4	27	28.1	28.1	165	166.5	166.5	303	304.5	305.3
648	651.0	651.8	30	31.1	31.1	168	169.5	169.5	306	307.5	308.3
651	653.4	654.2	33	34.1	34.1	171	172.5	172.9	309	310.5	311.3
653	655.8	656.6	36	37.1	37.1	174	175.5	175.9	312	313.5	314.3
656	658.2	659.0	39	40.1	40.1	177	178.5	178.9	315	316.5	317.3
658	660.6	661.4	42	43.1	43.1	180	181.5	181.9	318	319.5	320.3
660	663.0	663.8	45	46.1	46.1	183	184.5	184.9	321	322.5	323.3
663	665.4	666.2	48	49.1	49.1	186	187.5	187.9	324	325.5	326.3
665	667.8	668.6	51	52.1	52.1	189	190.5	190.9	327	328.5	329.3
668	670.2	671.0	54	55.1	55.1	192	193.5	193.9	330	331.5	332.3
670	672.6	673.4	57	58.1	58.1	195	196.5	196.9	333	334.5	335.3
672	675.0	675.8	60	61.1	61.1	198	199.5	199.9	336	337.5	338.3
675	677.4	678.6	63	64.1	64.1	201	202.5	202.9	339	340.5	341.7
677	679.8	681.0	66	67.1	67.1	204	205.5	205.9	342	343.5	344.7
680	682.2	683.4	69	70.1	70.1	207	208.5	208.9	345	346.5	347.7
682	684.6	685.8	72	73.1	73.1	210	211.5	211.9	348	349.5	350.7
684	687.0	688.2	75	76.1	76.1	213	214.5	214.9	351	352.5	353.7
687	689.4	690.6	78	79.1	79.1	216	217.5	217.9	354	355.5	356.7
689	691.8	693.0	81	82.1	82.1	219	220.5	220.9	357	358.5	359.7
692	694.2	695.4	84	85.1	85.1	222	223.5	223.9	360	361.5	362.7
694	696.6	697.8	87	88.1	88.5	225	226.5	226.9	363	364.9	365.7
696	699.0	700.2	90	91.1	91.5	228	229.5	229.9	366	367.9	368.7
699	701.4	702.6	93	94.1	94.5	231	232.5	232.9	369	370.9	371.7
701	703.8	705.0	96	97.1	97.5	234	235.5	235.9	372	373.9	374.7
704	706.2	707.4	99	100.1	100.5	237	238.5	238.9	375	376.9	377.7
706	708.6	709.8	102	103.1	103.5	240	241.5	241.9	378	379.9	380.7
708	711.0	712.2	105	106.1	106.5	243	244.5	244.9	381	382.9	383.7
711	713.4	714.6	108	109.1	109.5	246	247.5	247.9	384	385.9	386.7
713	715.8	717.0	111	112.1	112.5	249	250.5	250.9	387	388.9	389.7
716	718.2	719.4	114	115.1	115.5	252	253.5	253.9	390	391.9	392.7
718	720.6	721.8	117	118.1	118.5	255	256.5	257.3	393	394.9	395.7
720	723.0	724.2	120	121.1	121.5	258	259.5	260.3	396	397.9	398.7
			123	124.5	124.5	261	262.5	263.3	399	400.9	401.7
			126	127.5	127.5	264	265.5	266.3	402	403.9	404.7
			129	130.5	130.5	267	268.5	269.3	405	406.9	407.7
			132	133.5	133.5	270	271.5	272.3	408	409.9	410.7
			135	136.5	136.5	273	274.5	275.3	411	412.9	413.7
			138	139.5	139.5	276	277.5	278.3	414	415.9	416.7
			141	142.5	142.5	279	280.5	281.3	417	418.9	419.7
			144	145.5	145.5	282	283.5	284.3	420	421.9	422.7
			147	148.5	148.5	285	286.5	287.3			

PROJECT		FIXTURE TYPE		DATE	
---------	--	--------------	--	------	--

# ZIP CEILING WITH REMOTE POWER

REV.07.05.18

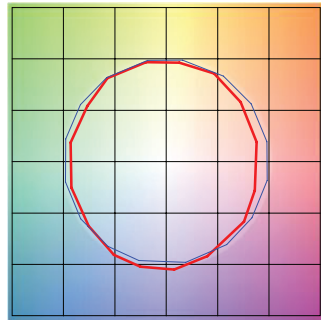
DESIGNED BY GREGORY KAY | ASSEMBLED IN AMERICA

## TM-30-15 DATA

The data below is for SS2C, SS5C, SS7C, and SS10C bare LED Soft Strips. Consistent color temperatures throughout a single strip and among multiple strips is possible through a 3 phase binning process in which each order is inspected with a color meter to ensure uniformity.

**2200K** | Rf: 83.9 | Rg: 94.9

Color Vector Graphic

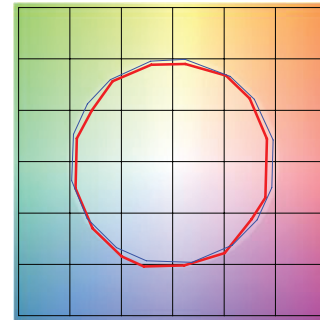


■ Test ■ Reference

HUE BIN	Rf	GRAPHIC SHIFTS %	
		CHROMA	HUE
1	77.6	-10.0%	1.8%
2	80.7	-7.5%	7.0%
3	79.5	-2.9%	8.9%
4	90.5	-3.1%	2.4%
5	93.9	-1.3%	1.9%
6	91.9	-0.9%	-0.2%
7	87.6	-6.3%	-2.7%
8	90.5	-5.4%	2.7%
9	83.8	-4.7%	6.5%
10	81.2	-2.5%	10.0%
11	83.3	3.9%	9.4%
12	86.4	5.6%	2.6%
13	86.2	4.5%	-12.4%
14	64.3	-1.0%	-21.9%
15	85.1	-4.4%	-7.5%
16	75.0	-9.9%	-12.0%

**2700K** | Rf: 87.7 | Rg: 96.1

Color Vector Graphic

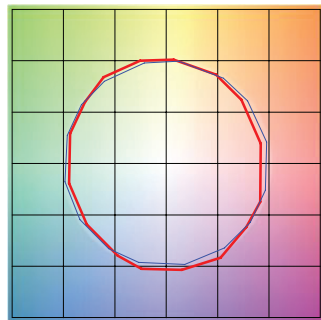


■ Test ■ Reference

HUE BIN	Rf	GRAPHIC SHIFTS %	
		CHROMA	HUE
1	86.4	-5.6%	2.3%
2	89.7	-3.3%	3.1%
3	90.5	-1.5%	3.8%
4	90.0	-4.3%	1.1%
5	92.9	-3.7%	0.2%
6	93.5	-2.5%	-0.8%
7	86.3	-7.2%	2.5%
8	90.7	-4.0%	3.2%
9	85.2	-2.4%	8.1%
10	81.7	0.9%	10.8%
11	85.4	4.5%	8.9%
12	88.7	5.7%	-1.4%
13	88.3	1.3%	-7.9%
14	85.1	2.4%	-10.4%
15	88.1	-4.8%	-2.7%
16	81.7	-4.3%	-10.9%

**3000K** | Rf: 88.1 | Rg: 99.7

Color Vector Graphic

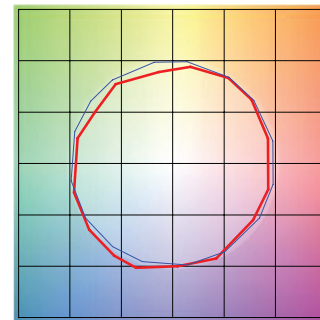


■ Test ■ Reference

HUE BIN	Rf	GRAPHIC SHIFTS %	
		CHROMA	HUE
1	87.7	-5.9%	-0.3%
2	87.9	-4.4%	4.3%
3	82.9	-1.2%	7.9%
4	89.9	0.6%	4.7%
5	92.7	3.0%	3.5%
6	92.7	3.6%	-1.7%
7	90.8	-1.3%	-4.4%
8	93.7	-2.5%	-2.2%
9	91.7	-3.7%	2.3%
10	85.5	-2.8%	7.8%
11	83.3	0.7%	11.0%
12	86.4	5.5%	3.8%
13	90.6	4.6%	-3.6%
14	85.6	5.9%	-8.4%
15	89.5	-0.6%	-5.7%
16	82.6	-2.7%	-12.0%

**3500K** | Rf: 86.1 | Rg: 95.5

Color Vector Graphic

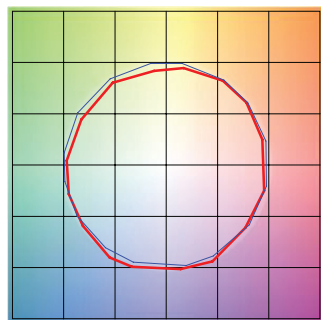


■ Test ■ Reference

HUE BIN	Rf	GRAPHIC SHIFTS %	
		CHROMA	HUE
1	86.6	-4.2%	3.4%
2	91.7	-1.4%	1.8%
3	94.9	-0.7%	0.4%
4	87.9	-4.5%	-4.1%
5	85.9	-10.3%	-2.7%
6	89.8	-5.2%	-0.4%
7	79.6	-9.5%	6.5%
8	87.6	-4.0%	5.7%
9	81.4	-0.5%	11.8%
10	78.3	3.3%	11.4%
11	85.7	6.3%	6.1%
12	86.3	7.1%	-4.6%
13	86.1	-0.7%	-9.6%
14	85.1	0.8%	-10.4%
15	83.4	-4.1%	-5.3%
16	82.5	-3.6%	-5.7%

**4000K** | Rf: 87.6 | Rg: 96.8

Color Vector Graphic

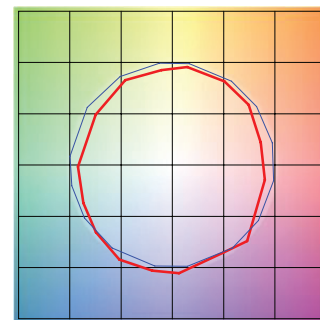


■ Test ■ Reference

HUE BIN	Rf	GRAPHIC SHIFTS %	
		CHROMA	HUE
1	89.0	-3.1%	2.1%
2	93.2	-0.9%	1.3%
3	94.3	-1.1%	0.7%
4	89.5	-4.0%	-2.3%
5	87.6	-7.8%	-1.8%
6	92.2	-4.6%	0.1%
7	87.4	-6.6%	3.6%
8	85.7	-3.8%	7.0%
9	81.5	-1.3%	12.4%
10	80.0	0.9%	11.4%
11	83.3	5.9%	8.7%
12	89.7	4.8%	-0.3%
13	88.5	2.4%	-6.3%
14	92.7	4.0%	-3.8%
15	86.1	-1.6%	-4.5%
16	85.0	-1.4%	-5.0%

**5700K** | Rf: 80.3 | Rg: 91.5

Color Vector Graphic



■ Test ■ Reference

HUE BIN	Rf	GRAPHIC SHIFTS %	
		CHROMA	HUE
1	73.8	-11.2%	2.6%
2	83.7	-5.5%	5.8%
3	84.2	-4.0%	5.5%
4	85.8	-3.5%	1.3%
5	85.3	-7.1%	0.6%
6	89.2	-5.8%	-2.2%
7	81.5	-10.7%	1.2%
8	75.7	-9.7%	8.5%
9	74.9	-7.8%	18.8%
10	67.8	-1.6%	18.0%
11	76.1	5.5%	12.0%
12	90.8	4.9%	-1.6%
13	83.6	5.0%	-9.5%
14	81.7	-1.2%	-10.0%
15	69.0	2.0%	-22.8%
16	83.2	-8.5%	-1.0%

PROJECT	FIXTURE TYPE	DATE
---------	--------------	------



# ZIP CEILING WITH REMOTE POWER

REV.07.05.18

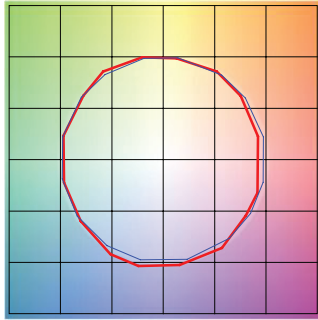
DESIGNED BY GREGORY KAY | ASSEMBLED IN AMERICA

## TM-30-15 DATA

The data below is for SS2C, SS5C, SS7C, and SS10C bare LED Soft Strips. Consistent color temperatures throughout a single strip and among multiple strips is possible through a 3 phase binning process in which each order is inspected with a color meter to ensure uniformity.

**2700D** | Rf: 89.5 | Rg: 100.8

Color Vector Graphic

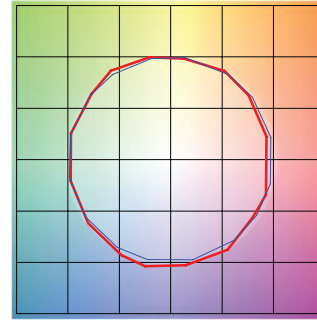


■ Test ■ Reference

HUE BIN	Rf	GRAPHIC SHIFTS %	
		CHROMA	HUE
1	88.8	-5.1%	1.4%
2	89.8	-2.7%	4.1%
3	87.2	0.3%	5.9%
4	92.3	-0.9%	1.0%
5	93.3	1.5%	1.7%
6	92.4	3.6%	-0.2%
7	92.2	-0.9%	-2.4%
8	96.7	-0.4%	-1.1%
9	92.3	-1.2%	3.7%
10	88.9	-0.0%	6.1%
11	86.4	5.1%	7.4%
12	88.2	6.3%	-0.9%
13	87.2	3.8%	-8.1%
14	84.2	3.8%	-11.0%
15	89.8	-2.6%	-4.3%
16	82.7	-3.4%	-11.1%

**3000D** | Rf: 89.8 | Rg: 101.4

Color Vector Graphic

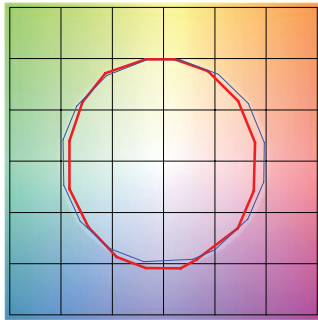


■ Test ■ Reference

HUE BIN	Rf	GRAPHIC SHIFTS %	
		CHROMA	HUE
1	90.2	-4.2%	1.5%
2	90.9	-2.0%	3.7%
3	87.9	0.8%	5.5%
4	92.1	-0.9%	0.6%
5	93.0	1.5%	1.6%
6	92.2	3.9%	-0.2%
7	92.1	-0.3%	-2.0%
8	96.7	0.0%	-1.2%
9	92.5	-0.6%	3.7%
10	88.3	1.1%	7.0%
11	87.2	4.1%	7.4%
12	87.2	6.7%	-1.0%
13	88.2	3.8%	-7.2%
14	85.3	4.3%	-9.9%
15	90.9	-2.2%	-3.6%
16	83.4	-2.2%	-11.2%

**2000K ONLY (2K4K)** | Rf: 84.3 | Rg: 96.9

Color Vector Graphic

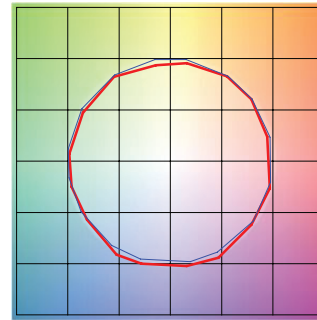


■ Test ■ Reference

HUE BIN	Rf	GRAPHIC SHIFTS %	
		CHROMA	HUE
1	80.3	-8.9%	1.7%
2	79.7	-7.0%	7.8%
3	78.9	-2.9%	10.0%
4	89.5	-0.5%	5.1%
5	94.4	0.7%	1.7%
6	92.1	2.4%	-0.3%
7	89.4	-2.4%	-5.9%
8	89.7	-6.4%	-0.2%
9	86.0	-4.9%	4.6%
10	81.8	-3.4%	9.3%
11	83.1	3.3%	9.7%
12	85.8	5.6%	3.3%
13	85.6	6.2%	-12.8%
14	61.7	-1.9%	-19.0%
15	79.7	-3.3%	-12.9%
16	78.1	-7.9%	-10.6%

**4000K ONLY (2K4K)** | Rf: 89.6 | Rg: 99.1

Color Vector Graphic

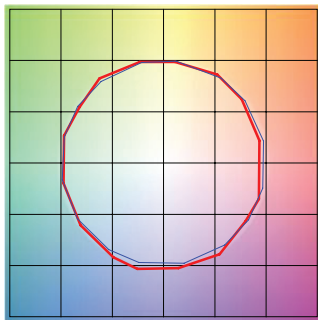


■ Test ■ Reference

HUE BIN	Rf	GRAPHIC SHIFTS %	
		CHROMA	HUE
1	91.3	-2.5%	1.0%
2	95.3	-0.5%	0.5%
3	94.3	-0.7%	1.1%
4	91.1	-3.4%	-1.1%
5	89.5	-5.6%	0.0%
6	94.6	-1.4%	1.3%
7	93.2	-3.0%	2.6%
8	91.3	-1.8%	4.6%
9	86.5	-0.9%	9.1%
10	83.3	-0.5%	9.5%
11	83.3	4.9%	9.0%
12	89.7	4.1%	1.7%
13	90.1	3.6%	-4.3%
14	93.4	5.2%	-2.1%
15	87.4	0.4%	-4.3%
16	86.6	0.4%	-6.1%

**2K4K (3000K)** | Rf: 90.2 | Rg: 101.4

Color Vector Graphic



■ Test ■ Reference

HUE BIN	Rf	GRAPHIC SHIFTS %	
		CHROMA	HUE
1	90.9	-3.8%	1.3%
2	91.7	-1.9%	3.3%
3	88.7	0.7%	5.1%
4	92.4	-1.0%	0.7%
5	92.9	0.9%	1.7%
6	93.1	3.3%	-0.6%
7	91.0	-1.8%	-0.4%
8	97.0	0.2%	-1.1%
9	92.8	-0.5%	3.6%
10	88.3	1.0%	7.0%
11	87.1	3.8%	7.8%
12	87.6	6.5%	-0.3%
13	89.3	3.6%	-6.3%
14	86.1	4.5%	-9.1%
15	91.6	-1.9%	-3.1%
16	83.8	-1.5%	-11.2%

PROJECT		FIXTURE TYPE		DATE	
---------	--	--------------	--	------	--