



1718 W. Fullerton Chicago, IL 60614
 Ph: 773.770.1195 • Fax: 773.935.5613
 www.PureEdgeLighting.com • info@PureEdgeLighting.com
 © 2016 PureEdge Lighting. All Rights Reserved.

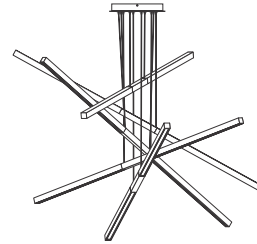
Installation Instructions for Pix Stick Tie Stix 2-Light, 3-Light, 4-Light and 5-Light with Remote Power

PX_-TX-___

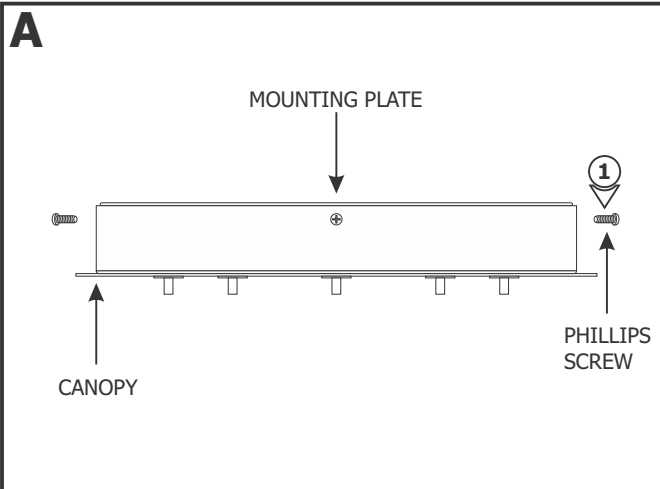
IMPORTANT INFORMATION

- This product is suitable for indoor locations.
- PX5 is shown for demonstration purposes.
- It is recommended more than one person to assist in this installation.
- This instruction shows a typical installation.

SAVE THESE INSTRUCTIONS!



Section One: Install the Canopy

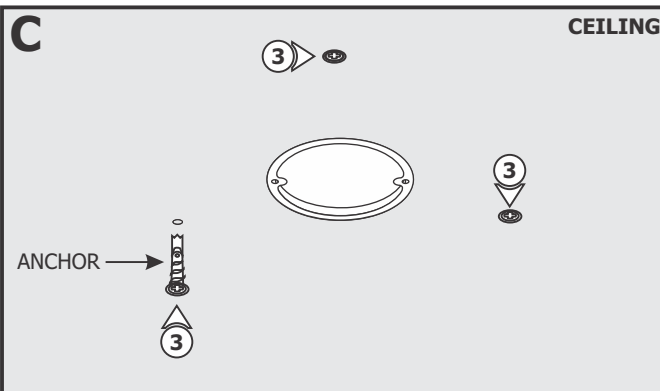
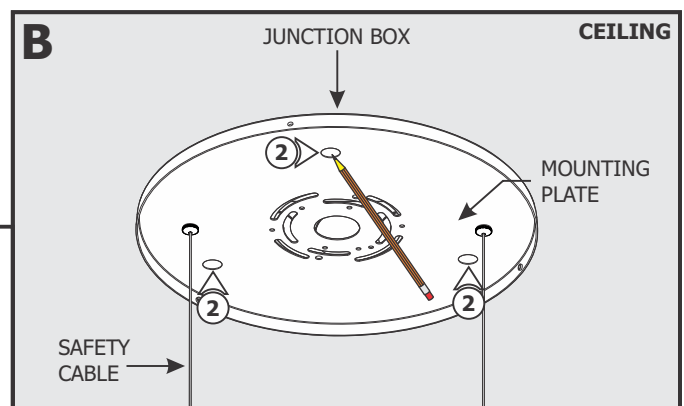


NOTE: Before beginning any electrical work, ensure that power to the electrical box is turned off.

- 1:** Loosen and remove the three Phillips screws from the canopy to remove the mounting plate.

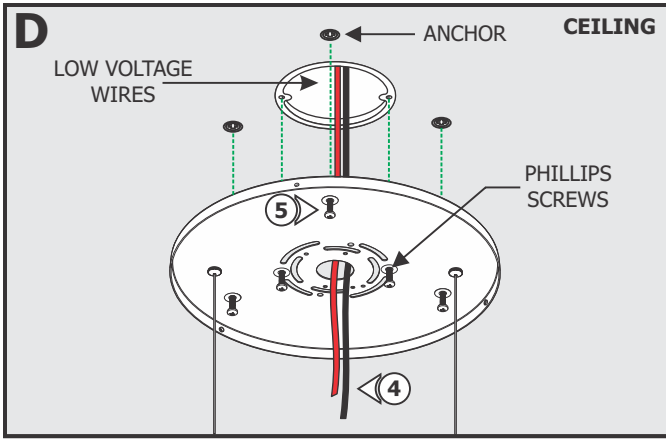
NOTE: Run the proper size wires between the 24VDC power supply to the electrical box. Refer to the instructions provided with the power supply for additional information.

- 2:** Align the mounting plate with the junction box. Mark points through the mounting plate holes onto the ceiling.



NOTE: Step 3 is for drywall mounting. Omit this step if mounting onto a wood surface directly.

- 3:** Tap the anchors onto the marked points up to the threaded portion with a hammer. Then screw in the threaded portion with a Phillips screwdriver.

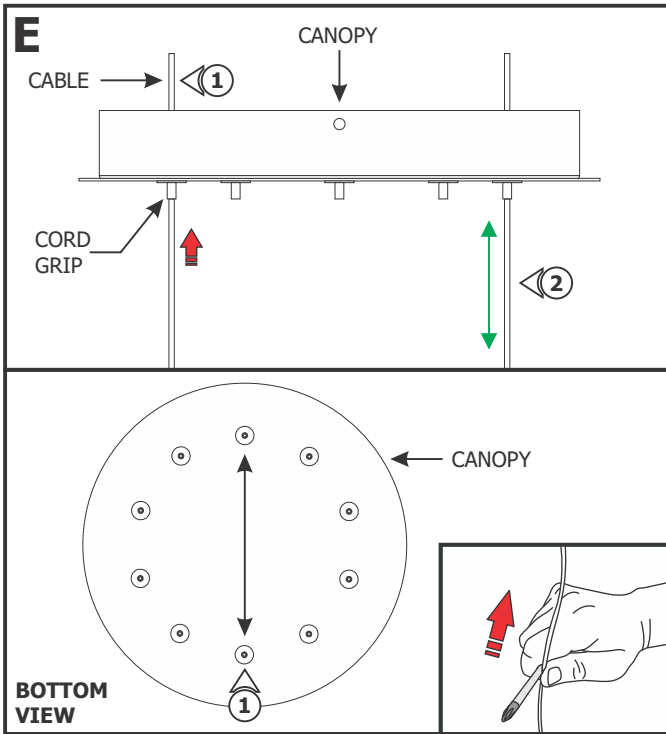


NOTE: Ensure remote power supply wires are present in the junction box. Refer to instructions provided with the power supply.

4: Feed the low voltage wires from the power supply through the center hole of the mounting plate.

5: Secure the mounting plate to the junction box and anchors using the provided Phillips screws and washers.

Section Two: Install the Fixture



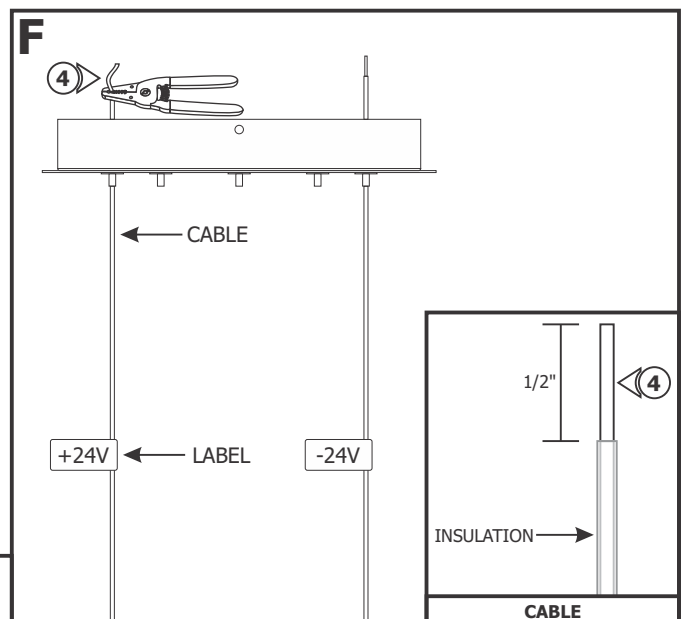
NOTE: Cord grips hold the fixture weight only. **DO NOT** pull on the fixture during installation or cleaning which may cause the **power wires to nick and short.**

NOTE: If cable is curled or kinked, straighten by holding between the shaft of a screwdriver and thumb and pulling the cable through.

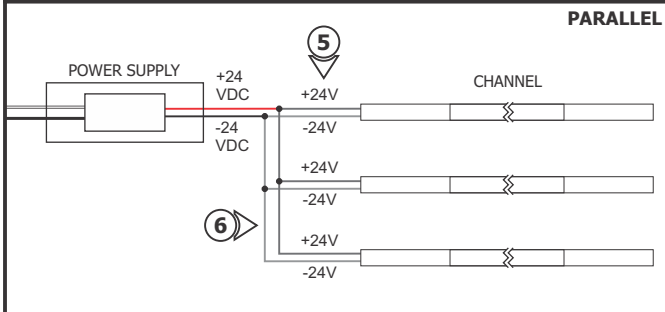
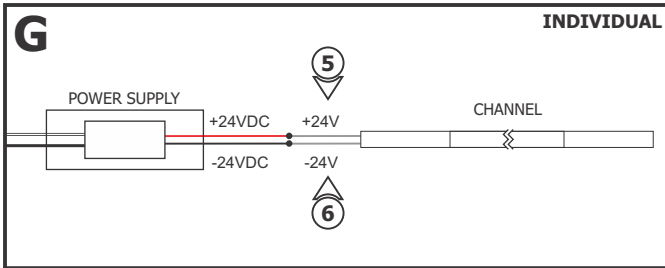
1: Push each cable from the channel through the cord grips on the canopy. Ensure the cables are installed directly across from each other on the canopy.

2: Adjust the fixture height by pushing the tab on the cord grip to slide the fixture up and down. Release the tab to lock the cable in place. Stagger the height of the channel, if needed.

3: Trim excess cable, leaving about 1' of cable inside to finish electrical connections.



4: Use the #16 gauge hole of the AWG wire strippers to strip 1/2" of the outer plastic insulation from the cables.



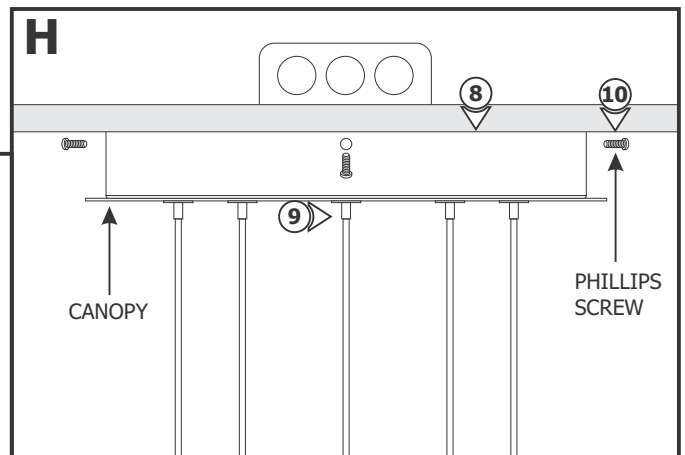
NOTE: Depending on the rated wattage of the individual fixtures, the fixtures would share a power supply or be powered individually. When sharing a power supply among fixtures, make sure they are connected in parallel to the output of the power supply.

5: Connect the fixture wire marked +24V to the +24VDC wire of the power supply using a wire nut.

6: Connect the fixture wire marked -24V to the -24VDC wire of the power supply using a wire nut.

7: Repeat steps 1 through 6 for the remaining fixtures.

- 8:** Place all the wires and wire nut connections inside the canopy.
- 9:** If necessary for fine adjustment of the fixture height push the cord grip tabs to slide the fixture up and down until the desired height is achieved. Release the cord grip tabs to lock the cables in place.
- 10:** Align and secure the canopy to the mounting plate by tightening the three Phillips screws.





1718 W. Fullerton Chicago, IL 60614
 Ph: 773.770.1195 • Fax: 773.935.5613
 www.PureEdgeLighting.com • info@PureEdgeLighting.com
 © 2016 PureEdge Lighting. All Rights Reserved.

Installation Instructions for Pix Sticks Tie Stix 6-Light, 7-Light, and 9-Light with Remote Power

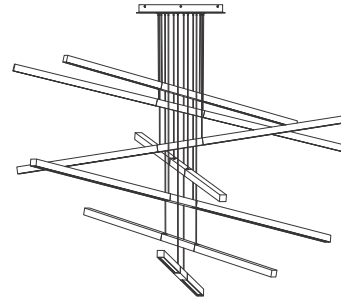
PX_-TX_



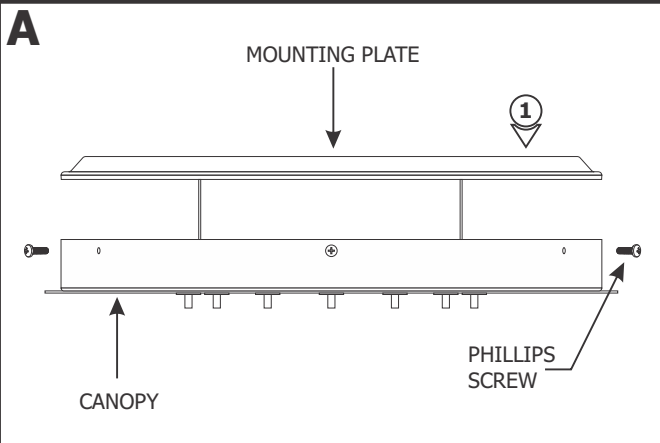
IMPORTANT INFORMATION

- This product is suitable for indoor locations.
- PX7 is shown for demonstration purposes.
- It is recommended more than one person to assist in this installation.
- This instruction shows a typical installation.

SAVE THESE INSTRUCTIONS!



Section One: Install the Canopy

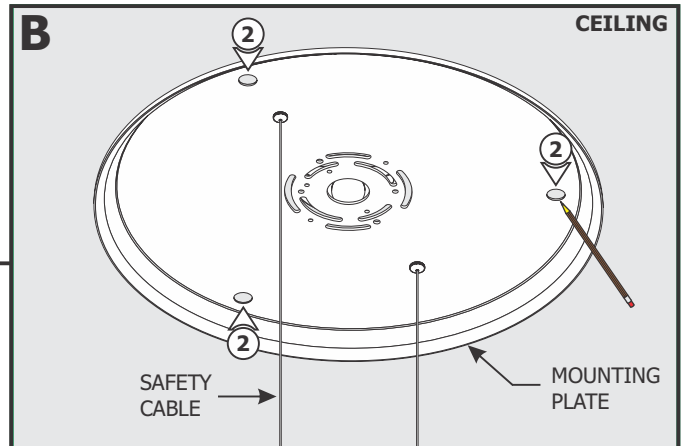


NOTE: Before beginning any electrical work, ensure that power to the electrical box is turned off.

1: Loosen and remove the six Phillips screws from the canopy to remove the mounting plate.

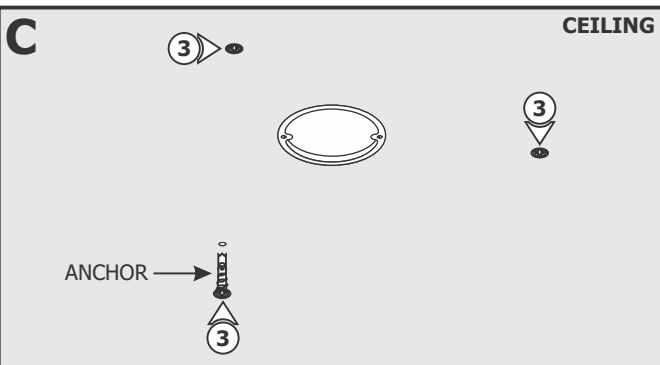
NOTE: Run the proper size wires between the 24VDC power supply to the electrical box. Refer to the instructions provided with the power supply for additional information.

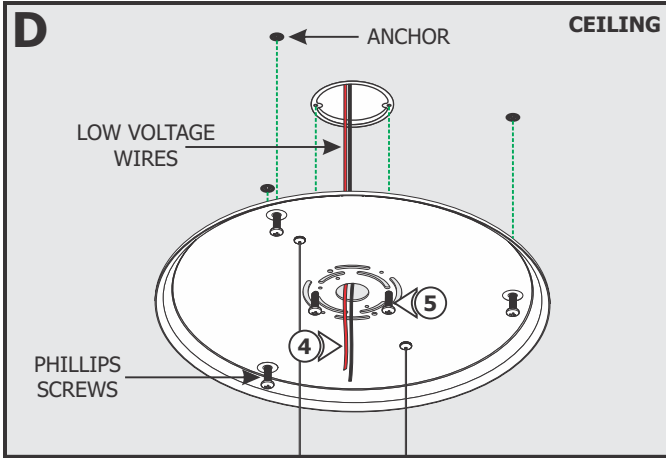
2: Align the mounting plate with the junction box. Mark points through the mounting plate holes onto the ceiling.



NOTE: Step 3 is for drywall mounting. Omit this step if mounting onto a wood surface directly.

3: Tap the anchors onto the marked points up to the threaded portion with a hammer. Then screw in the threaded portion with a Phillips screw driver.



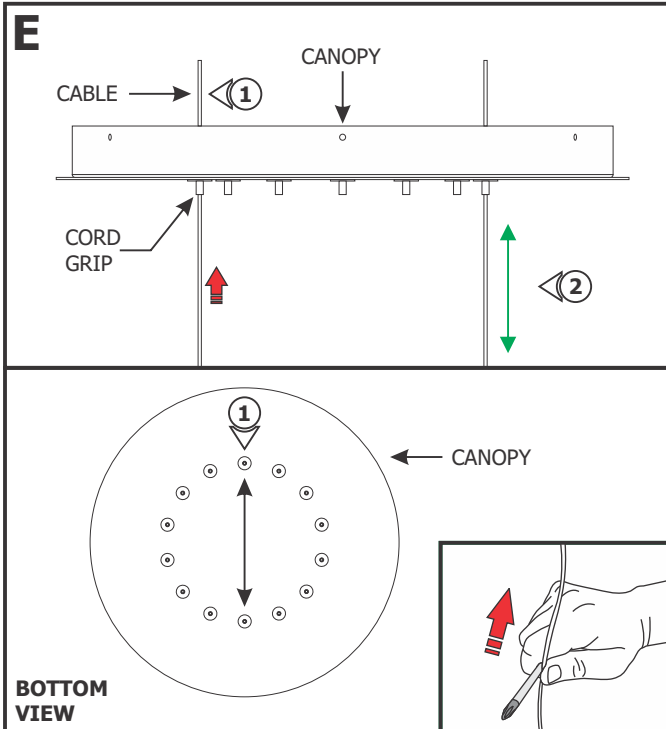


NOTE: Ensure remote power supply wires are present in the junction box. Refer to instructions provided with the power supply.

4: Feed the low voltage wires through the center hole of the mounting plate.

5: Secure the mounting plate to the junction box and anchors using the provided Phillips screws and washers.

Section Two: Install the Fixture



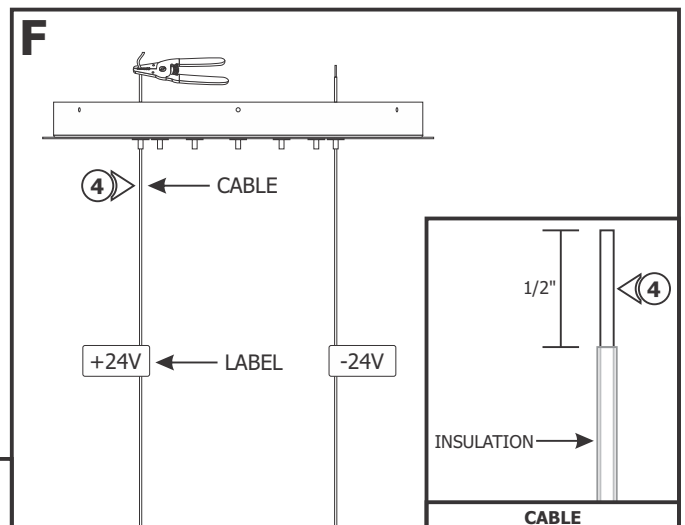
NOTE: Cord grips hold the fixture weight only. **DO NOT** pull on the fixture during installation or cleaning which may cause the **power wires to nick and short.**

NOTE: If cable is curled or kinked, straighten by holding between the shaft of a screwdriver and thumb and pulling the cable through.

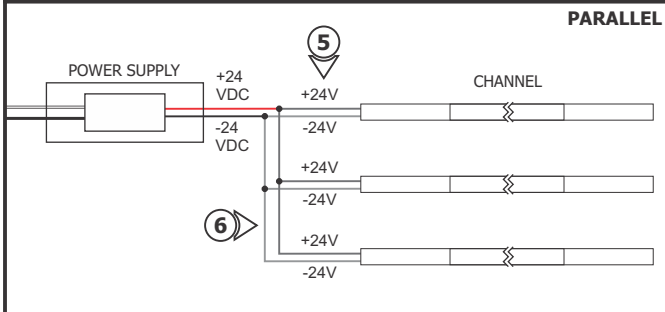
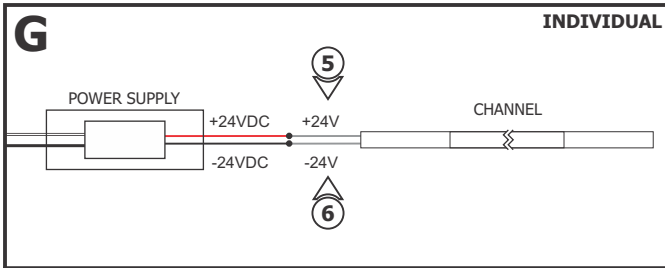
1: Push each cable from the channel through the cord grips on the canopy. Ensure the cables are installed directly across from each other on the canopy.

2: Adjust the fixture height by pushing the tab on the cord grip to slide the fixture up and down. Release the tab to lock the cable in place. Stagger the height of the channel, if needed.

3: Trim excess cable, leaving about 1' of cable inside to finish electrical connections.



4: Use the #16 gauge hole of the AWG wire strippers to strip 1/2" of the outer plastic insulation from the cables.



NOTE: Depending on the rated wattage of the individual fixtures, the fixtures would share a power supply or be powered individually. When sharing a power supply among fixtures, make sure they are connected in parallel to the output of the power supply.

5: Connect the fixture wire marked +24V to the +24VDC wire of the power supply using a wire nut.

6: Connect the fixture wire marked -24V to the -24VDC wire of the power supply using a wire nut.

7: Repeat steps 1 through 6 for the remaining fixtures.

8: Place all the wires and wire nut connections inside the canopy.

9: If necessary for fine adjustment of the fixture height push the cord grip tabs to slide the fixture up and down until the desired height is achieved. Release the cord grip tabs to lock the cables in place.

10: Align and secure the canopy to the mounting plate by tightening the six Phillips screws.

