

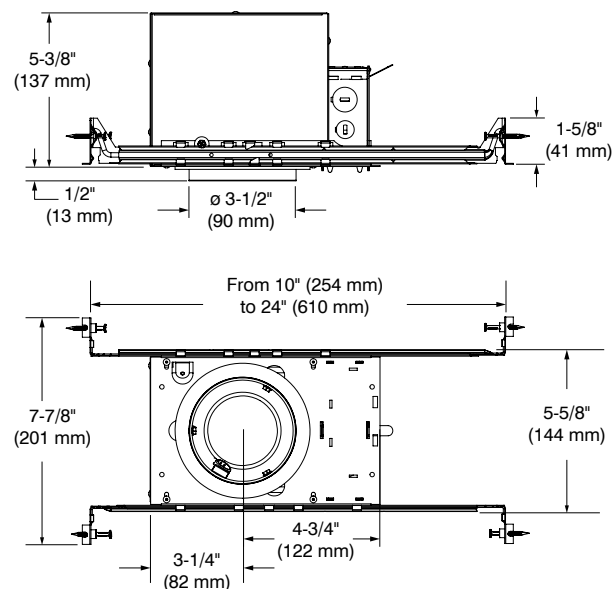
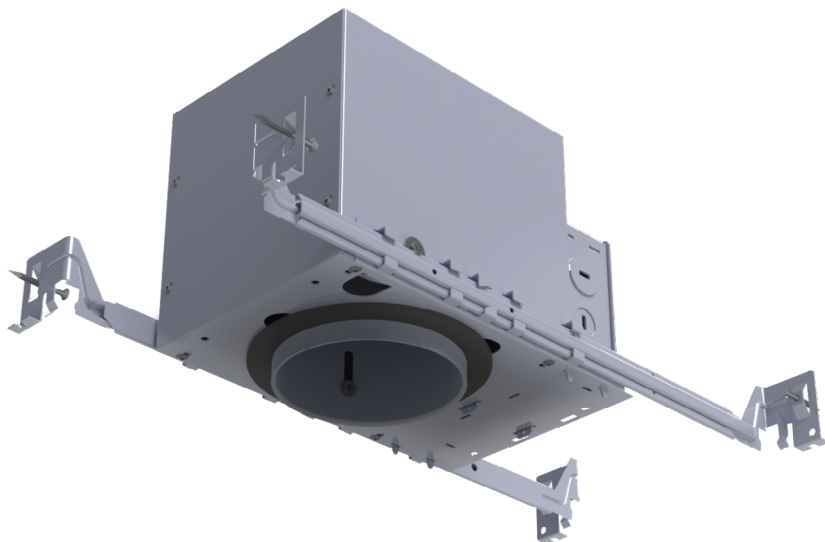
**XIC35GU10-L****P R I O R I****3-1/2" Series - PRIORI**

Project \_\_\_\_\_

Notes \_\_\_\_\_

Fixture type \_\_\_\_\_

Date \_\_\_\_\_

**Insulated Box IC Air Tight GU10 Housing**

## SPECIFICATIONS

HOUSING DETAILS	Galvanized Steel Approved for installation in insulated ceiling with direct contact to insulating material (except polyurethane) Below-ceiling accessible
SOCKET	GU10; Twist and Lock
JUNCTION BOX	Convenient 24 <sup>3</sup> in enclosure designed for straight through conduit runs 1/2" and 3/4" romex wiring knockouts
MOUNTING	<b>Cutout diameter: Ø 3-3/4"</b> Can fit in ceilings of 1/2" (13 mm) up to 1-3/8" (35 mm) thick Requires a 6" (152 mm) clearance beyond the ceiling material Mounting bars extend from 10" (254 mm) to 24" (610 mm) to fit in most ceiling structures No light leakage Contains integral nail Hanger fit onto T-bar spline for quick alignment
SOURCE	<b>LED GU10 Lamp 10W MAX</b>
COMPATIBLE TRIMS	X3501 X3503 X3504
VOLTAGE	120V/277V

**CONTRASTE**

2018-08

PRINTED IN CANADA

1009, rue du Parc Industriel  
Lévis (Québec) G6Z 1C5 Canada  
Tel.: 1-888-839-4624  
Fax.: 1-877-839-7057  
contrastelighting.com  
info@contrastelighting.com

© 2018 Contraste Lighting M.L. Inc.  
All rights reserved

Contrast Lighting M.L. Inc. reserves the right to make changes in specifications and/or to discontinue any product at any time without notice or obligation and will not be liable for any consequences resulting from the use of this publication.

SPECIFICATION SHEET

# XIC35GU10-L

3-1/2" Series - PRIORI

# P R I O R I

## Insulated Box IC Air Tight GU10 Housing

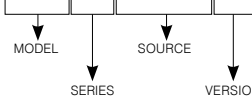


SPECIFICATIONS (CONT'D)

CERTIFICATION	ETL listed for damp locations and wet with shower trim
WARRANTY	1 year limited warranty

CODIFICATION EXAMPLE

**XIC35GU10-L**



ORDERING CODES

MODEL	SERIES	SOURCE	VERSION
<b>XIC</b>	<b>35</b>	<b>GU10</b>	<b>-L</b>
<b>XIC</b> Insulated Box Housing	<b>35</b> 3-1/2" Series	<b>GU10</b> GU10	<b>-L</b>