

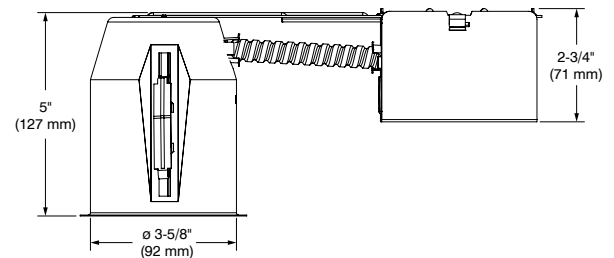
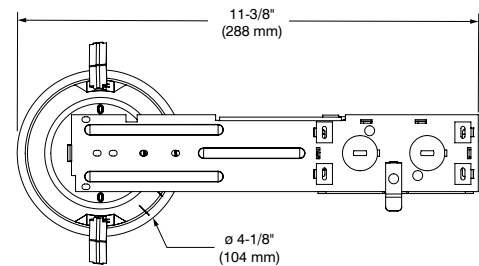
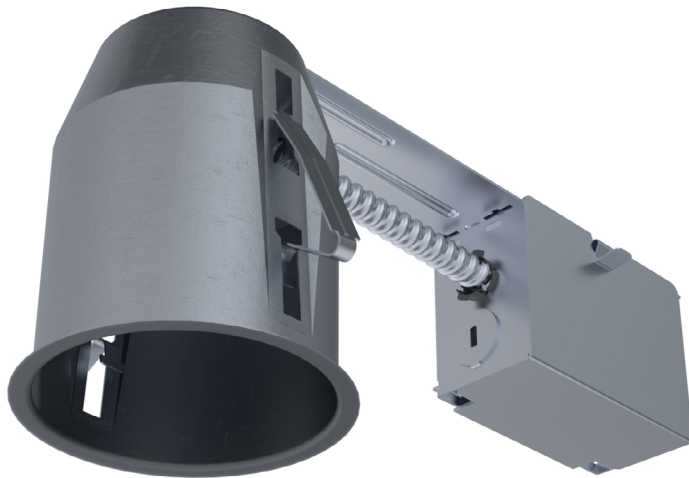
**XR35GU10-L****P R I O R I****3-1/2" Series - PRIORI**

Project \_\_\_\_\_

Notes \_\_\_\_\_

Fixture type \_\_\_\_\_

Date \_\_\_\_\_

**Remodel IC Air Tight GU10 Housing**

## SPECIFICATIONS

HOUSING DETAILS	Galvanized Steel Approved for installation in insulated ceiling with direct contact to insulating material (except polyurethane) Below-ceiling accessible
SOCKET	GU10; Twist and Lock
JUNCTION BOX	Convenient 16° in enclosure designed for straight through conduit runs 1/2" and 3/4" romex wiring knockouts
MOUNTING	<b>Cutout diameter: <math>\varnothing</math> 3-7/8" (98 mm)</b> Can fit in ceilings of 1/2" (13 mm) up to 1-3/8" (35 mm) thick Requires a 6" (152 mm) clearance beyond the ceiling level No light leakage
SOURCE	<b>LED GU10 Lamp 10W MAX</b>
COMPATIBLE TRIMS	X3501 X3503 X3504
VOLTAGE	120V/277V

**CONTRASTE**

2018-08

PRINTED IN CANADA

1009, rue du Parc Industriel  
Lévis (Québec) G6Z 1C5 Canada  
Tel.: 1-888-839-4624  
Fax.: 1-877-839-7057  
contrastelighting.com  
info@contrastelighting.com

© 2018 Contraste Lighting M.L. Inc.  
All rights reserved

Contrast Lighting M.L. Inc. reserves the right to make changes in specifications and/or to discontinue any product at any time without notice or obligation and will not be liable for any consequences resulting from the use of this publication.

SPECIFICATION SHEET

# XR35GU10-L

3-1/2" Series - PRIORI

# P R I O R I

## Remodel IC Air Tight GU10 Housing



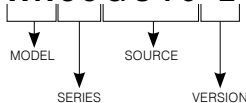
SPECIFICATIONS (CONT'D)

CERTIFICATION ETL listed for damp locations and wet with shower trim

WARRANTY 1 year limited warranty

CODIFICATION EXAMPLE

**XR35GU10-L**



ORDERING CODE

MODEL	SERIES	SOURCE	VERSION
<b>XR</b>	<b>35</b>	<b>GU10</b>	<b>-L</b>
<b>XR</b> Remodel IC Housing	<b>35</b> 3-1/2" Series	<b>GU10</b> GU10	<b>-L</b>