

XN40PAR-L

4" Series - PRIORI

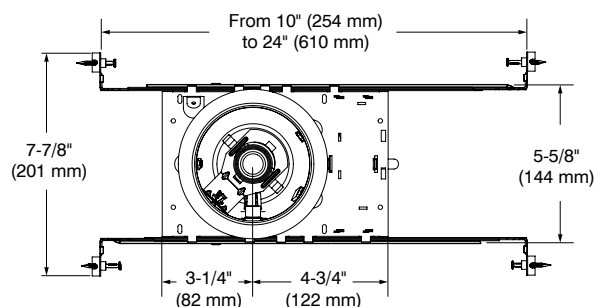
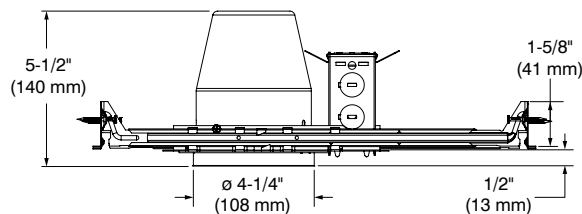
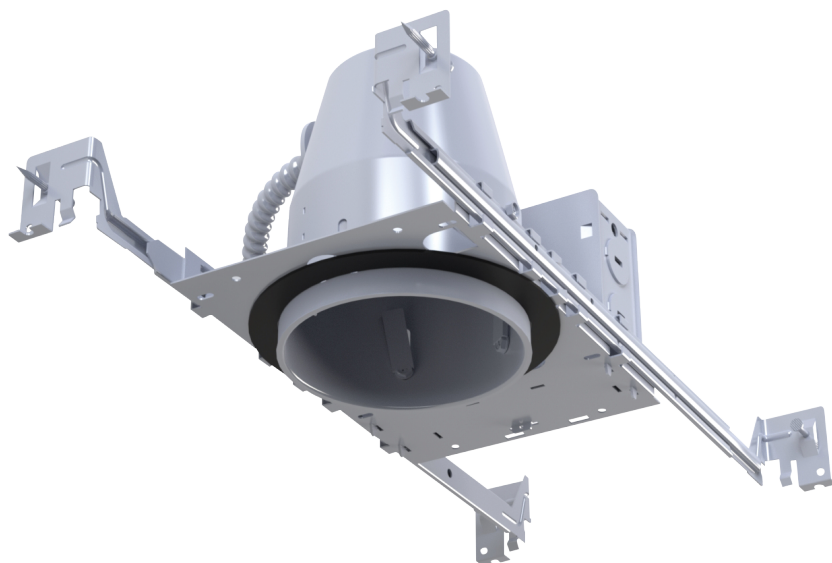
Project _____

Notes _____

Fixture type _____

Date _____

New Construction IC Air Tight PAR20 Housing



SPECIFICATIONS

HOUSING DETAILS	Galvanized Steel Approved for installation in insulated ceiling with direct contact to insulating material (except polyurethane) Below-ceiling accessible
SOCKET	Medium Base Socket (E26)
JUNCTION BOX	Convenient 24 ³ in enclosure designed for straight through conduit runs 1/2" and 3/4" romex wiring knockouts
MOUNTING	Cutout diameter: \varnothing 4-1/4" (108 mm) Can fit in ceilings of 1/2" (13 mm) up to 1-3/8" (35 mm) thick Requires a 5-1/2" (140 mm) clearance beyond the ceiling material Mounting bars extend from 10" (254 mm) to 24" (610 mm) to fit in most ceiling structures No light leakage Contains integral nail Hanger fit onto T-bar spline for quick alignment
SOURCE	LED PAR20 Lamp 10W MAX
COMPATIBLE TRIMS	X4004 X4005 X4009
VOLTAGE	120V/277V

SPECIFICATION SHEET

XN40PAR-L

4" Series - PRIORI

P R I O R I

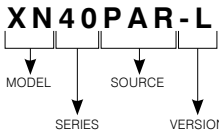
New Construction IC Air Tight PAR20 Housing



SPECIFICATIONS (CONT'D)

CERTIFICATION	ETL listed for damp locations and wet with shower trim
WARRANTY	1 year limited warranty

CODIFICATION EXAMPLE



ORDERING CODES

MODEL	SERIES	SOURCE	VERSION
XN	40	PAR	-L
XN New Construction IC Housing	40 4" Series	PAR PAR20	-L