

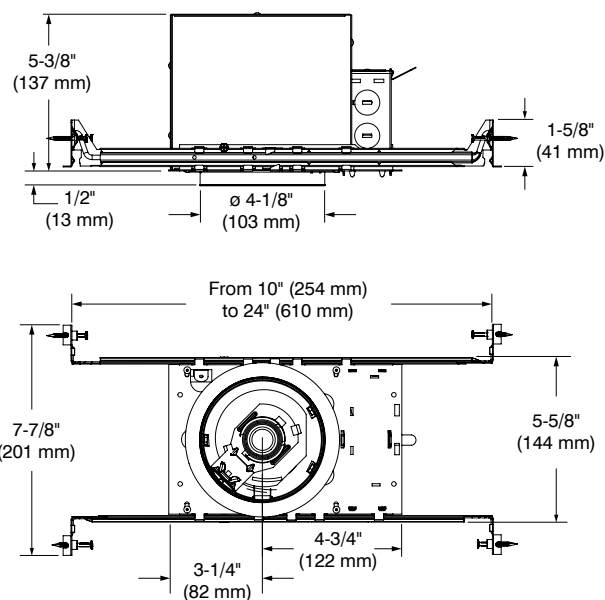
**XIC40PAR-L****P R I O R I****4" Series - PRIORI**

Project \_\_\_\_\_

Notes \_\_\_\_\_

Fixture type \_\_\_\_\_

Date \_\_\_\_\_

**Insulated Box IC Air Tight PAR20 Housing**

## SPECIFICATIONS

HOUSING DETAILS	Galvanized Steel Approved for installation in insulated ceiling with direct contact to insulating material (except polyurethane) Below-ceiling accessible
-----------------	---

SOCKET	Medium Base Socket (E26)
--------	--------------------------

JUNCTION BOX	Convenient 24 <sup>3</sup> in enclosure designed for straight through conduit runs 1/2" and 3/4" romex wiring knockouts
--------------	--

MOUNTING	<b>Cutout diameter: <math>\varnothing</math> 4-1/4" (108 mm)</b> Can fit in ceilings of 1/2" (13 mm) up to 1-3/8" (35 mm) thick Requires a 6" (152 mm) clearance beyond the ceiling material Mounting bars extend from 10" (254 mm) to 24" (610 mm) to fit in most ceiling structures No light leakage Contains integral nail Hanger fit onto T-bar spline for quick alignment
----------	--

SOURCE	<b>LED PAR20 Lamp 10W MAX</b>
--------	-------------------------------

COMPATIBLE TRIMS	X4004 X4005 X4009
------------------	-------------------------

VOLTAGE	120V/277V
---------	-----------

**CONTRASTE**

SPECIFICATION SHEET

# XIC40PAR-L

4" Series - PRIORI

# P R I O R I

## Insulated Box IC Air Tight PAR20 Housing

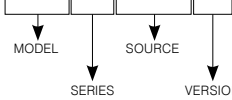


SPECIFICATIONS (CONT'D)

CERTIFICATION	ETL listed for damp locations and wet with shower trim
WARRANTY	1 year limited warranty

CODIFICATION EXAMPLE

**XIC40PAR-L**



ORDERING CODES

MODEL	SERIES	SOURCE	VERSION
<b>XIC</b>	<b>40</b>	<b>PAR</b>	<b>-L</b>
<b>XIC</b> Insulated Box Housing	<b>40</b> 4" Series	<b>PAR</b> PAR20	<b>-L</b>