



© 2017 Pure Lighting. All Rights Reserved.

Installation Instructions For TruLine .5A L-Picture Frame Power Channel Connector

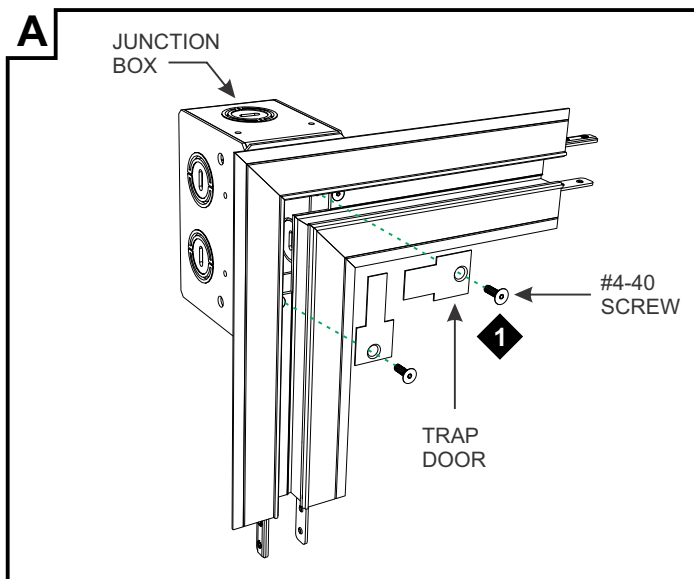
1718 W. Fullerton Ave
Chicago, IL 60614
Tel: 773-770-1196
Fax: 773-883-6128
www.purelighting.com
info@purelighting.com

IMPORTANT INFORMATION

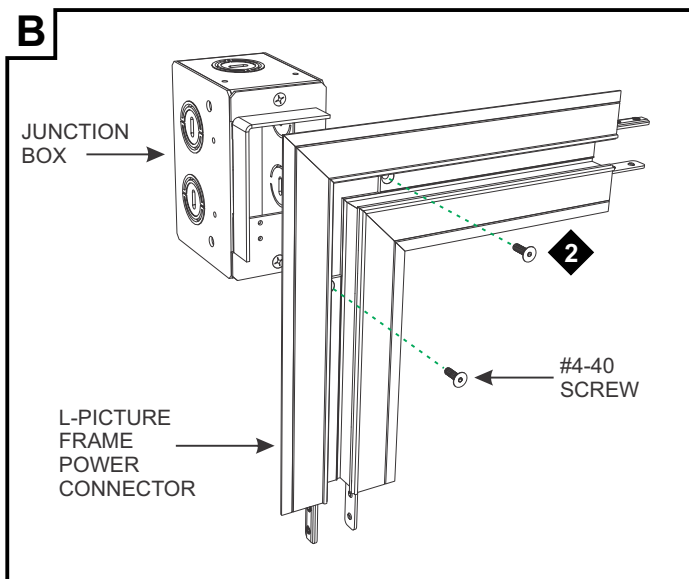
- This instruction must be used concurrently with other TruLine .5A DIY installation instructions.
- This fixture is wall or ceiling mount.
- This instruction shows a typical installation.

SAVE THESE INSTRUCTIONS!

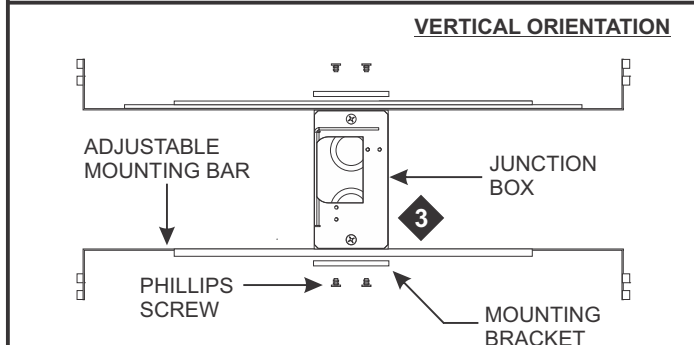
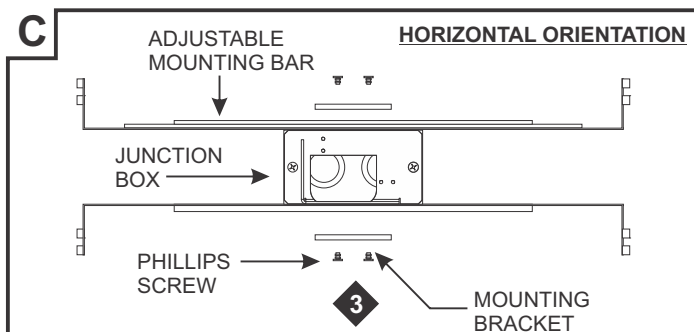
Section One: Install the Junction Box



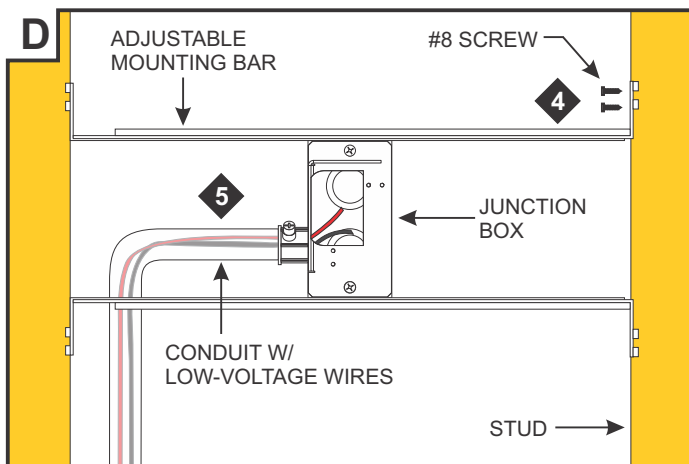
- 1:** Remove the #4-40 screws from the junction box to remove the trap door from the assembly using a 1/16" Allen wrench.



- 2:** Remove the #4-40 screws to remove the L-Picture Frame Power Connector from the junction box using a 1/16" Allen wrench.

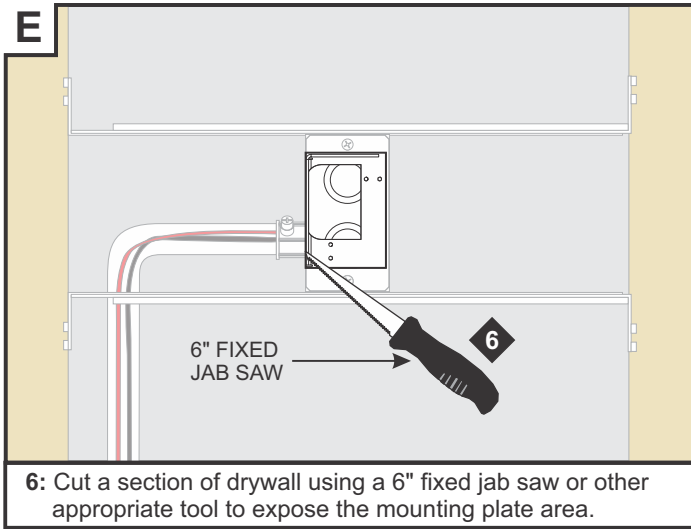


- 3:** Mount each adjustable mounting bar to one side of the junction box and secure them with the mounting brackets and two Phillips screws provided.

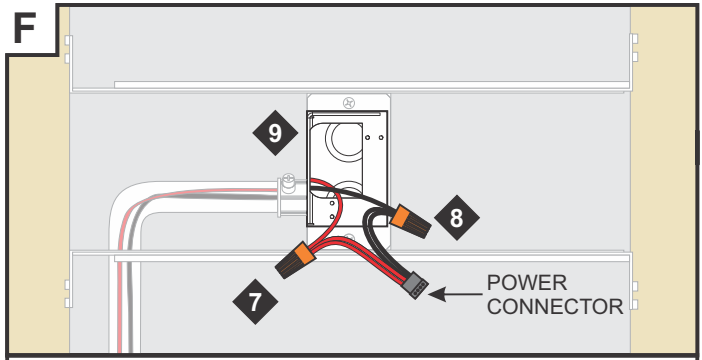


NOTE: The adjustable mounting bars mount to studs that are spaced 13" to 24" apart.

- 4:** Place the lips on the adjustable mounting bars against the studs. Secure the adjustable bars to the studs with the eight #8 screws.
- 5:** Install conduit(s) (if required by local electrical code) and run low voltage wires to the junction box.



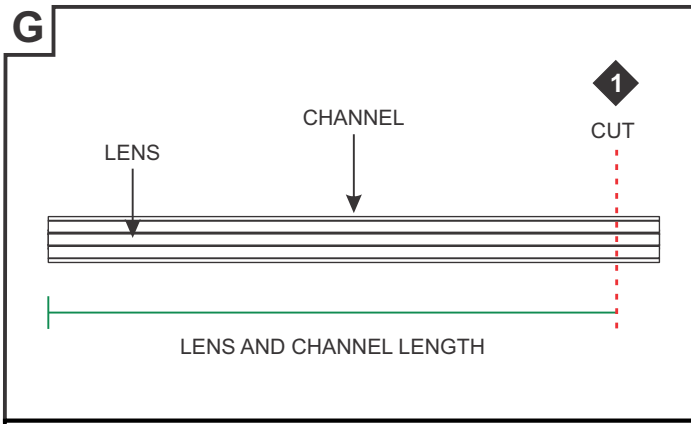
6: Cut a section of drywall using a 6" fixed jab saw or other appropriate tool to expose the mounting plate area.



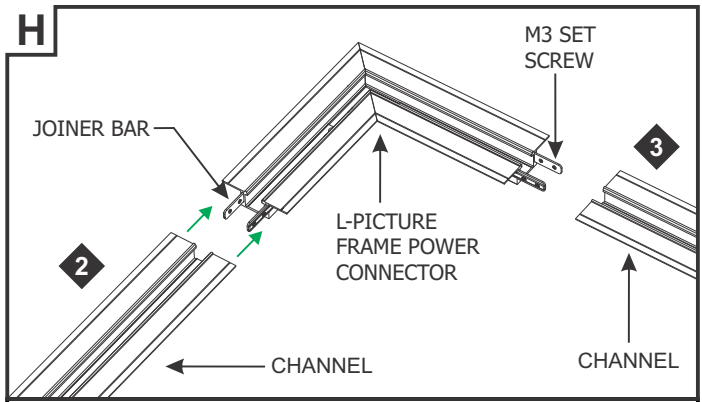
NOTE: Remote power supply wires must be present in junction box. Refer to instructions provided with power supply.

- 7:** Connect the red low voltage wires to the red power connector wires with a wire nut.
- 8:** Connect the black low voltage wires to the black power connector wires with a wire nut.
- 9:** Place all wire nut connections inside the junction box.

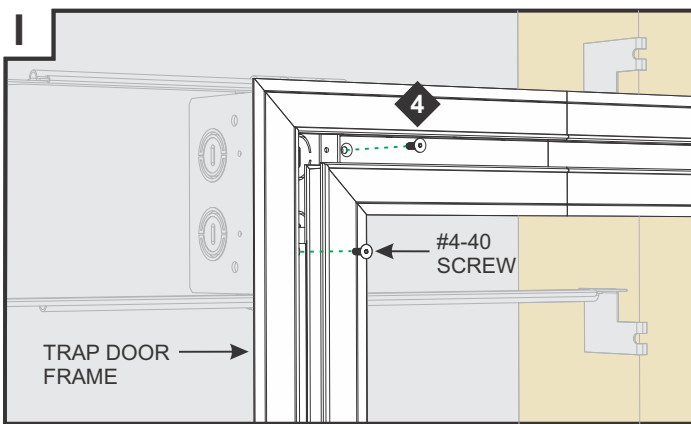
Section Two: Prepare and Install the L-Picture Frame Power Connector



1: Refer to Section One in the TruLine .5A Channel and Lens instructions to measure and cut the channel and lens before continuing.

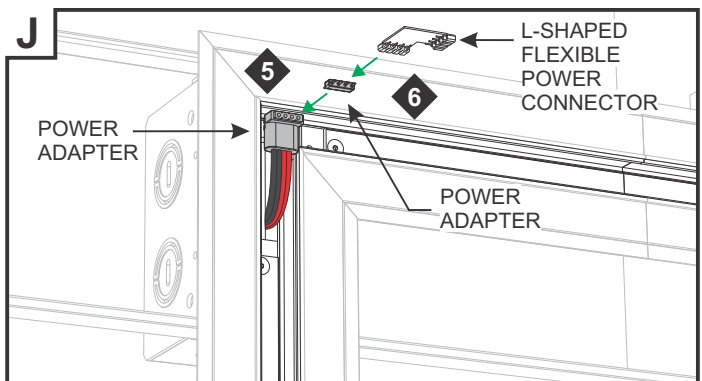


- 2:** Slide a channel onto the joiner bars and tighten the remaining M3 set screws with a 1.5mm Allen wrench.
- 3:** Repeat step 2 for the other end of the L-Picture Frame Power Connector.



4: Attach the assembled trap door frame to the junction box using the #4-40 screws.

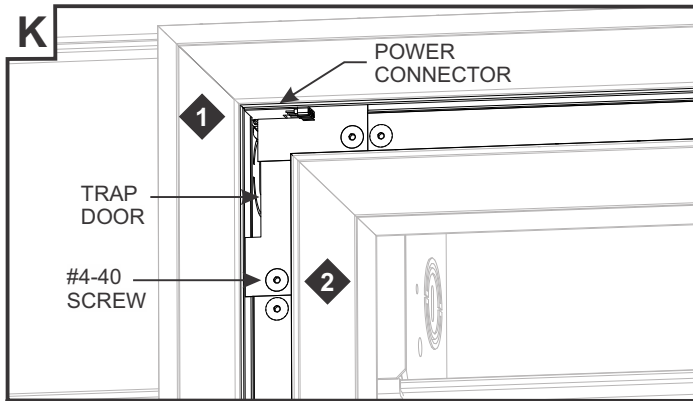
NOTE: Refer to Section Three in the TruLine .5A Channel and Lens instructions to plaster before continuing.



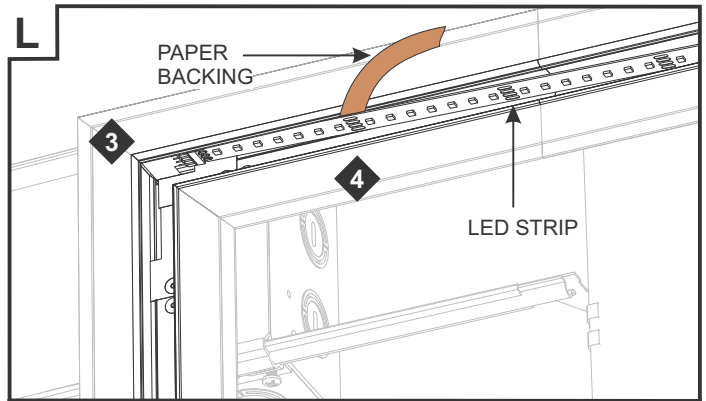
- 5:** Insert the male-to-male power adapter to the power connector.
- 6:** Connect the L-Shaped Flexible Power Connector to the male-to-male power adapter.

NOTE: L-Shaped Flexible Power Connector is used for installations when the LED strip is placed on the side of the channel. For alternate LED strip installation, see Section Four or Section Five.

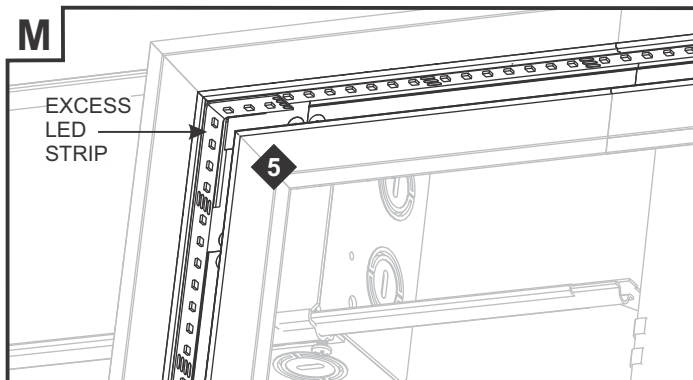
Section Three: Install the LED Soft Strip



- 1: Place the assembled power connector into the channel where the LED soft strip will be installed.
- 2: Replace the trap door and secure with the #4-40 screws using a 1/16" Allen wrench.



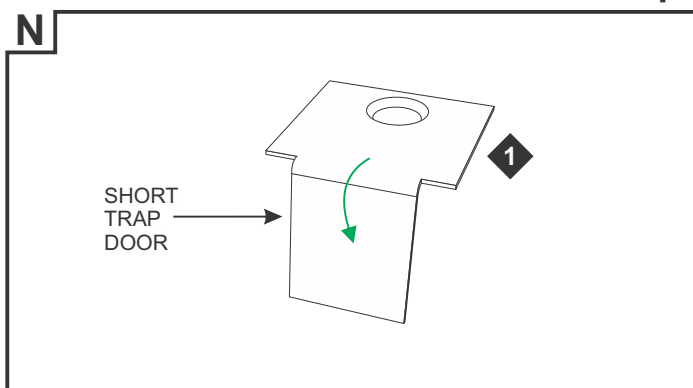
- 3: Carefully remove the backing from the LED soft strip, making sure not to remove the tape from the LED strip. Line up the red wire side of the power connector with the "+24VDC" marking on each LED strip. Push the male connector of the LED strip into the L-Shaped Flexible Power Connector.
- 4: Firmly press down the adhesive portion of the LED strip onto the channel surface while removing the rest of the backing, making sure there are no air bubbles that can cause surface irregularities.



- 5: Trim excess LED strip **ONLY** at dashed cutting lines. Overlap excess soft strip at power connection to avoid dark spots in installation.

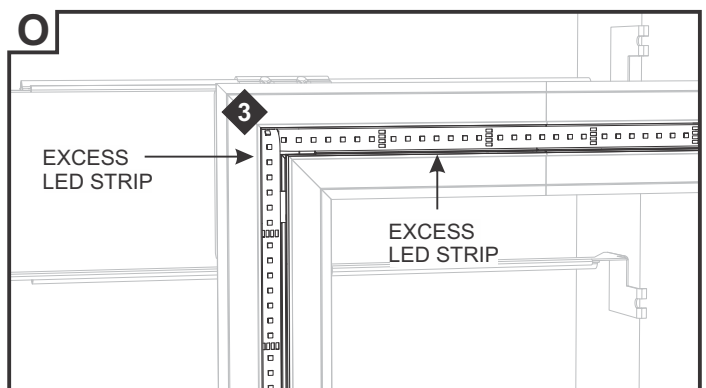
NOTE: Refer to Sections Five and Six in the TruLine .5A Channel and Lens instructions to complete the installation.

Section Four: Alternate LED Soft Strip Installation



NOTE: This section is for installations where the LED strip will lay in the bottom of the channel.

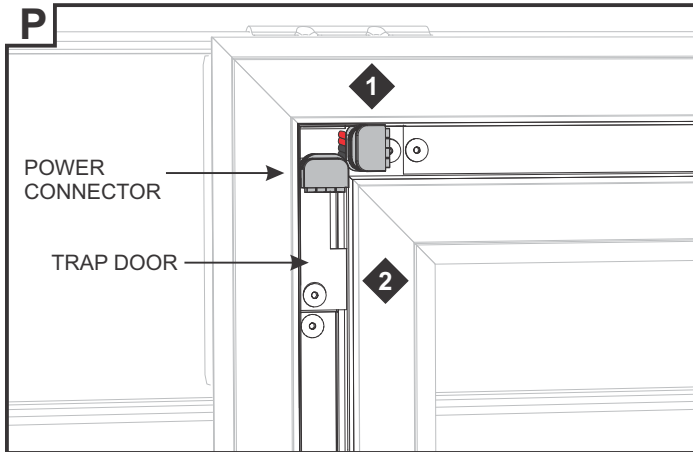
- 1: Use pliers to bend the section of the short trap door cover ~90° to allow for access to power connections.



- 2: Attach the trap doors to the L-Picture Frame Connector with the #4-40 screws.
- 3: Route excess LED strips from other power feeds into the junction box.

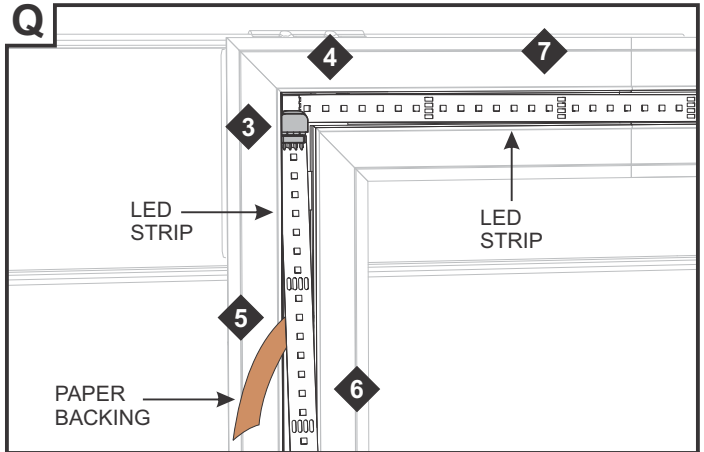
Section Five: L-Picture Frame Dual Feed Power Channel Connector

Install the LED Soft Strip on Bottom of Channel



NOTE: This product can be used as a combination of side and bottom mount.

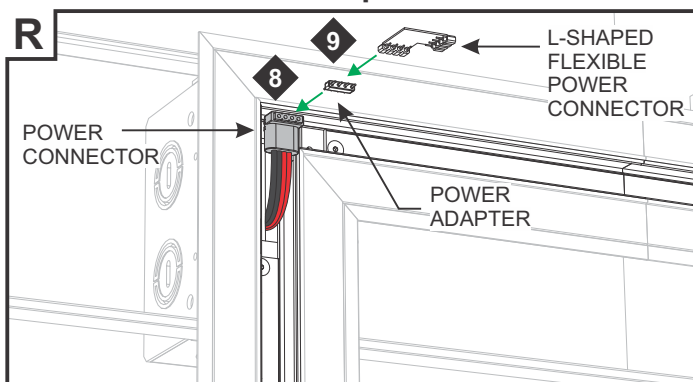
- 1: Repeat steps 7 through 9 in Section One to connect one additional power connector to the power supply(s) wires.
- 2: Repeat steps 1 and 2 in Section Four to attach the trap doors.



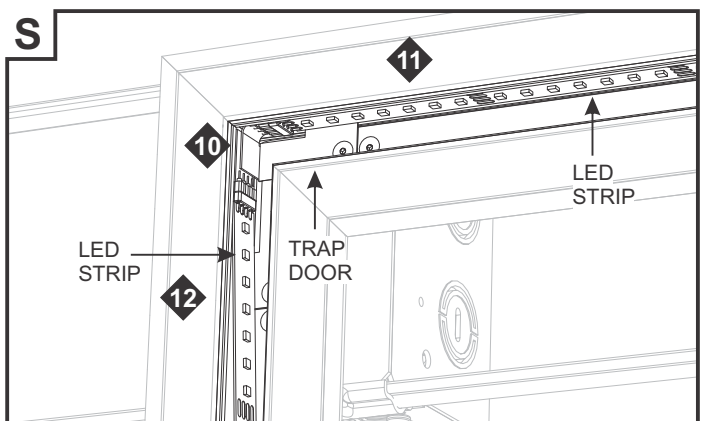
- 3: Line up the red wire side of the power connector with the "+24VDC" marking on the LED strip. Push the male connector of the LED strip into the female connector of the power connector.
- 4: Place the connections inside the junction box.
- 5: Carefully remove the backing from the LED strip, making sure not to remove the tape from the strip.
- 6: Firmly press down the adhesive portion of the LED strip onto the channel surface while removing the rest of the backing, making sure there are no air bubbles that can cause surface irregularities.
- 7: Repeat steps 3 through 6 for the other LED strip.

NOTE: Refer to Sections Four and Six in the TruLine .5A Channel and Lens instructions to complete the installation.

Install the LED Soft Strip on Sides of Channel



- 8: Insert the male-to-male power adapter to the power connector. Connect the L-Shaped Flexible Power connector to the male-to-male power adapter.
- 9: Repeat step 8 for the other power connector.



- 10: Place the assembled power connectors into the channel where the LED soft strips will be installed. L-Shaped Flexible Power Connectors should be overlapped as shown.
- 11: Replace the trap doors and secure using the #4-40 screws.
- 12: Repeat steps 3 and 4 in Section Three to install the LED strips.

NOTE: Refer to Sections Four and Six in the TruLine .5A Channel and Lens instructions to complete the installation.