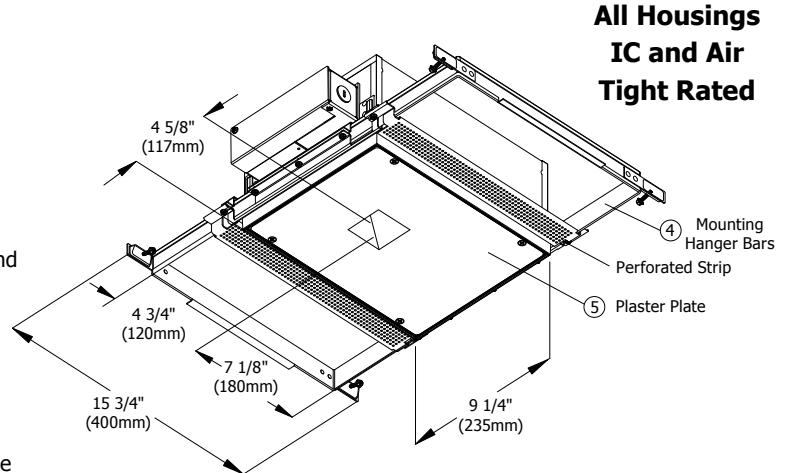
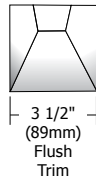


Genna ES16 3.5" Wall Wash ceramic metal halide

AC6-GWS3-WS3

Wall Wash ES16-39W, 3.5" Flush Trim Aperture



**All Housings
IC and Air
Tight Rated**

Description: Specification grade recessed plaster-in (drywall) flangeless, flush wall wash fixture. Trim offers no-glare aperture and ultra uniform field of light to top of wall. Mounts at 32" (813mm) center to center and 40" (1016mm) from center to wall.

1. Lamp: Ceramic Metal Halide ES16 39W 24 degree beam.

2. Housing: Includes standard 120V electronic ballast; IC and airtight, suitable for remodel or new construction.

3. Plaster Plate: 11 7/8" (301mm) x 9 1/4" (235mm) x 1/8" (3mm) aluminum plaster plate, primed and mounted flush with ceiling. Apply Durabond® ceiling compound at the perimeter of the housing. Compatible only with traditional, level 5 surface finishing, not self-leveling, PVA primer systems.

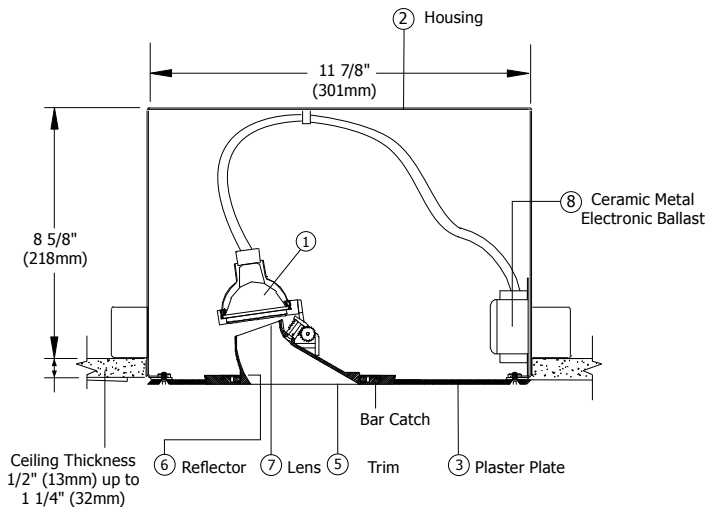
4. Mounting: Self leveling telescoping mounting bars extend to allow mounting between studs 16"-24" (406-609mm) O.C. mounting hardware is suitable for new and remodel commercial or residential drywall construction. Designed to accommodate ceiling thickness from 1/2" (13mm) to 1 1/4" (32mm). Notch marking for laser alignment.

5. Trim: Die-cast and precision-machined aluminum 3 1/2" (89mm) aperture. Flangeless, flush square trim with precision snap-fit into the plaster plate.

6. Reflector: Precision cut aluminum with silver haze, brushed bronze, white or black finish.

7. Lens: Supplied with frosted prismatic lens to provide smooth beam patterns.

8. Electrical: 120V input (standard) lamp operation in accordance with ANSI specification number M156.

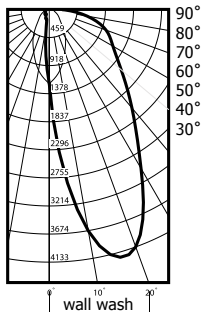


Label: ETL listed for damp locations.

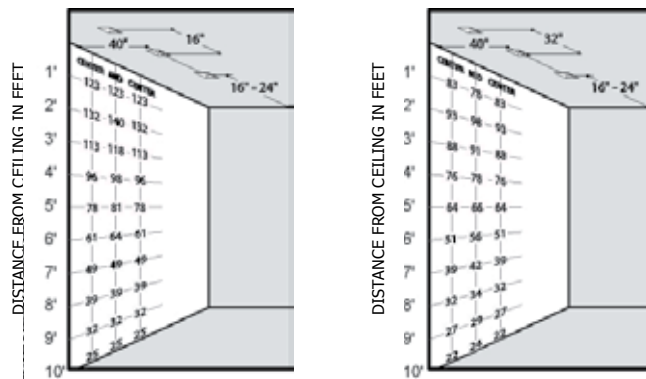
Weight: 23lbs (10.43kg)

Accessories: Lenses and additional parts (see accessories).

CANDLEPOWER DISTRIBUTION SLI LIGHTING BRIGHTSPOT 39 WATT ES16 24° BEAM



MULTIPLE UNITS - FOOTCANDLES ON WALL SLI LIGHTING BRIGHTSPOT 39 WATT ES16 24° BEAM



Genna Ordering Code For Complete Fixture: 120V Standard Electronic Ballast:

Collection IC Housing Function 3.5" Aperture Trim Finish

AC6 - GWS3 - WS3W

Aurora **Genna** **WS3W** - White
Ceramic **Wall Wash** **WS3SA** - Satin Aluminum
6 - ES16 **Square** **WS3SZ** - Satin Bronze
 3.5" Aperture **WS3SB** - Satin Black

COMPANY		FIXTURE TYPE		DATE	
PROJECT		APPROVED BY			

Product specification subject to change without notification. REV. 03.23.16

A Division of PureEdge Lighting 1718 W. Fullerton Chicago, IL 60614 • Ph: 773.770.1196 • Fax: 773.883.6128 • www.purelighting.com

