

### DESCRIPTION

Specification-grade, recessed, trimless, adjustable accent fixture for plaster or drywall construction. Use only LED retrofit lamps designed for use in enclosed fixtures, compatible lamps sold separately. Compatible lamps have 10°, 15°, 25°, or 36° beam spread options available. Hot-aiming with #2 Phillips screwdriver offers 0° - 45° vertical adjustment and 36° horizontal rotation without beam clipping. The 0.04" thick die formed aluminum housing includes 12V, 15W ELV Transformer for MR16 LED (230V and 277V versions available). The Snoot secures lamp to the Pan Tilt Mechanism for easy relamping. Fixture weight is 23.5 lbs (10.65kg). Coordinate installation with electrician and drywall contractors.

### APPLICATIONS

Indoor damp or dry locations only. Accent lighting in Residential and Commercial, such as Hallways

### COMPONENTS (INCLUDED)

Dome, Housing, Plaster Plate, Transformer, Aurora Gear Cover, Mounting Hardware, Junction Box, Pan Tilt Mechanism, and Snoot

### DIMMING & CONTROLS (SOLD SEPARATELY)

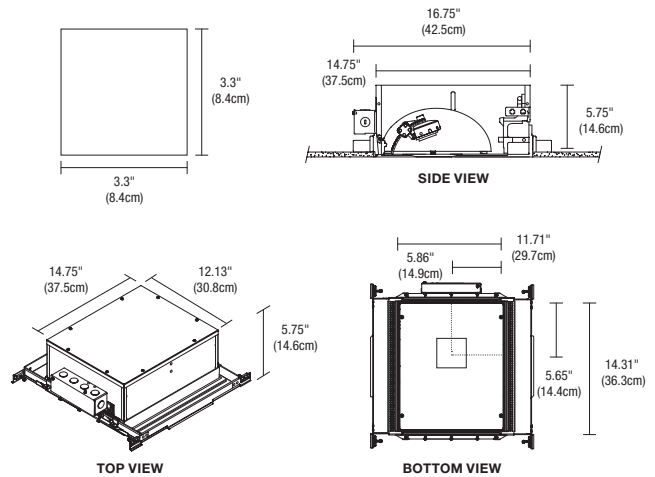
Electronic Low Voltage Dimming (ELV)

### ADDITIONAL COMPONENTS (SOLD SEPARATELY)

Compatible Lamp

### LABELS

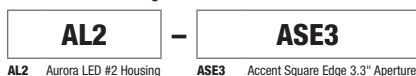
Assembled in America. Protected by Patent Number 7,476,008



#### 120V Electronic

Collection IC Housing

Function Plaster Plate

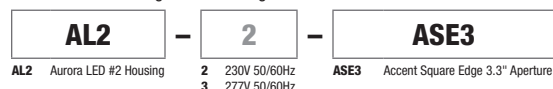


#### 230V & 277V Electronic

Collection IC Housing

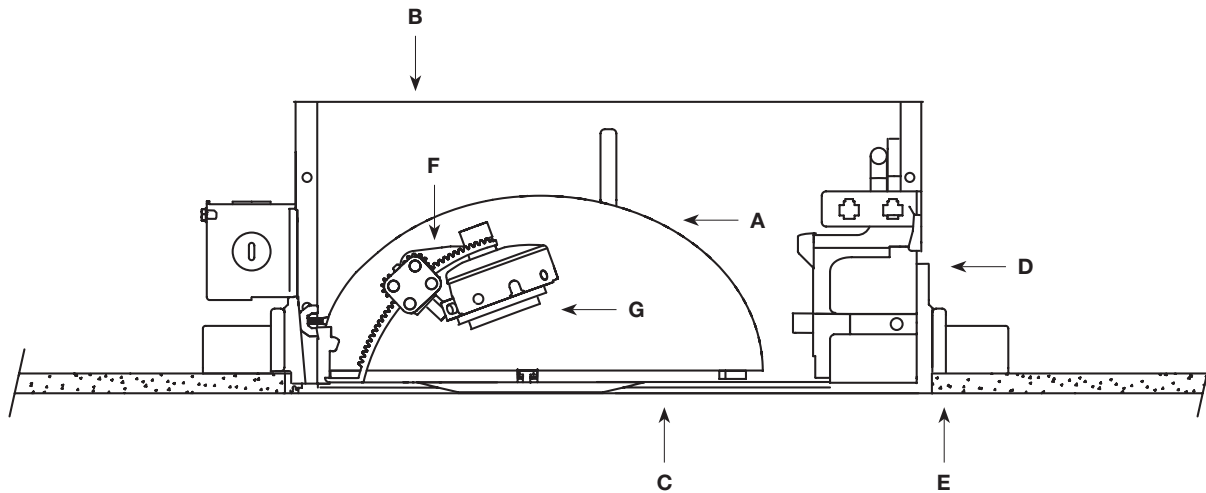
Voltage

Function Plaster Plate



PROJECT	FIXTURE TYPE	DATE
---------	--------------	------

### INCLUDED COMPONENTS



#### A. DOME

Spun aluminum, anodized to a soft haze finish. Hides electrical hardware and tilts for easy access to Junction Box and Transformer.

#### B. HOUSING

0.04" (1mm) thick die formed aluminum. Includes 12V, 15W Electronic Low Voltage Transformer for MR16 LED. IC and air-tight, suitable for remodel or new construction.

#### C. PLASTER PLATE

14 3/4" (375mm) x 12 1/8" (307mm) x 1/8" (3mm) Aluminum Plaster Plate, primed and mounted flush with ceiling. Apply Durabond<sup>®</sup> Ceiling Compound at the perimeter of the housing. Use the supplied ultra-thin FibaTape<sup>®</sup>. This prevents chipping and cracking at the trim aperture, which is common with other trimless fixtures.

#### D. TRANSFORMER

120VAC (standard), 230VAC, or 277VAC input, 12VAC 15W MAX output.

\*Durabond<sup>®</sup> brand is a trademark of USG Corporation.

#### E. MOUNTING

Self Leveling U-Shape Telescoping Hanger Bars extend to allow mounting between studs 13 1/4"-24" (336-609mm). O.C. mounting hardware is suitable for New and Remodel commercial or residential drywall construction. Designed to accommodate ceiling thickness from 1/2" (13mm) to 1 1/4" (32mm). Notch and label marking for laser alignment.

#### F. PAN TILT MECHANISM

Hot Aiming with Philips screwdriver offers 0°-45° vertical adjustment and 36° horizontal rotation without beam clipping (see Lamp Chart). Precision machined gear adjustment is concealed behind the lamp. Features self locking tilt and manual locking horizontal rotation.

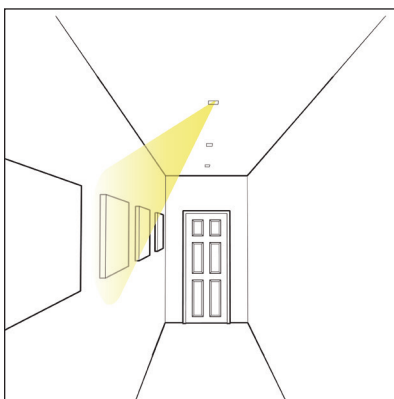
#### G. SNOOT

Machined Aluminum Snoot controls internal spill light. The Snoot secures the lamp to the Pan Tilt Mechanism and allows for easy relamping.

\*\*FibaTape<sup>®</sup> brand is a trademark of Saint-Gobain ADFORS.

### LAMP DATA

DIRECTION OF LIGHT  
7.7W | 3000K





PROJECT	FIXTURE TYPE	DATE
---------	--------------	------



# LED LAMP COMPARISON CHART

MR16 GU5.3 LED LAMPS FOR USE WITH AURORA FIXTURES

## 2700K COLOR TEMPERATURE

BRAND	ORDERING CODE	CRI	LAMP LIFE (HOURS)	CBCP	TOTAL LUMENS	LUMENS PER WATT	BEAM ANGLE (DEGREES)	CERTIFICATION	HALOGEN EQUIVALENT
	MR16-12V-8W-NF-27KWD-SL	97 Warm Dim	30,000	2261	390	50	24	UL/CUL CE NOM Title 24 JA8 (4th Qtr 2018)	50W
	MR16-12V-8W-FL-27KWD-SL	97 Warm Dim	30,000	1173	427	55	36	UL/CUL CE NOM Title 24 JA8 (4th Qtr 2018)	50W
	SM16-07-10D-927-03	95	35,000	5710	390	52	10	UL/CUL ROHS CE	50W
	SM16-09-25D-927-03	95	35,000	2570	465	52	25	UL/CUL ROHS CE	50W
	SM16-09-36D-927-03	95	35,000	1210	465	52	36	UL/CUL ROHS CE	60W

## 3000K COLOR TEMPERATURE

BRAND	ORDERING CODE	CRI	LAMP LIFE (HOURS)	CBCP	TOTAL LUMENS	LUMENS PER WATT	BEAM ANGLE (DEGREES)	CERTIFICATION	HALOGEN EQUIVALENT
	MR16-12V-8W-NF-30KWD-SL	97 Warm Dim	30,000	2268	410	50	24	UL/CUL CE NOM Title 24 JA8 (4th Qtr 2018)	50W
	MR16-12V-8W-FL-30KWD-SL	97 Warm Dim	30,000	1178	450	50	36	UL/CUL CE NOM Title 24 JA8 (4th Qtr 2018)	50W
	SM16-07-10D-930-03	95	35,000	6000	410	55	10	UL/CUL ROHS CE	50W
	SM16-09-25D-930-03	95	35,000	2700	490	54	25	UL/CUL ROHS CE	50W
	SM16-09-36D-930-03	95	35,000	1280	490	54	36	UL/CUL ROHS CE	60W

PROJECT		FIXTURE TYPE		DATE	
---------	--	--------------	--	------	--