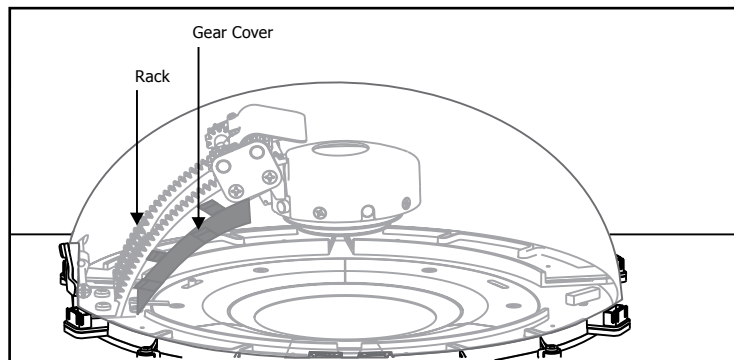


Description:

Die formed aluminum cover finished to match the inner dome to eliminate the silhouette of the rack.

GEAR COVER INSTALLATION DIAGRAM



ORDERING CODE:

AGG

A Division of PureEdge Lighting 1718 W. Fullerton Chicago, IL 60614 • Ph: 773.770.1196 • Fax: 773.883.6128 • www.purelighting.com

COMPANY		FIXTURE TYPE		DATE	
PROJECT		APPROVED BY			

Product specification subject to change without notification. REV. 04.15.15

