

Aurora MR16 Accent Round Edge RGB 3.3 aperture RGB

AH3-ARE3-RGB

Protected by Patent Numbers 7,476,008, 6,788,011 and 6,888,322.

Adjustable Accent MR16-71W, 3.3" Aperture



3.3 aperture
Truly Trimless

All Housings
IC and Air
Tight Rated

Description: Specification grade, recessed, adjustable accent fixture for plaster or drywall construction. The flush mounted rigid plaster plate, which is finished into the ceiling, maintains a flat finish and defines the Truly Trimless Pure edge 3.3" (84mm) aperture. Uplighting the RGB (red, green, blue) LEDs within the Aurora dome creates color at the ceiling plane while a halogen white light projects downward resulting in an optical illusion. Combining with the Pure edge aperture and hiding the gear behind the lamp further enhances the illusion and creates a clean internal look. LEDs are controlled to be static color, cross-faded or can be set to the beat of the music.

1. Lamp/LED: MR16 12V 37W IR (Infrared, equal to 50W halogen), RGB high output LEDs totally 24 watts. 35W 35 degree beam 12V - Sylvania Tru-Aim Brilliant® lamp included. MR16 LED 12V 7W also available.

2. Adjustability: Hot aiming with Philips screwdriver offers 0 to 45 degrees vertical adjustment and 362 degree horizontal rotation without beam clipping (see lamp chart). Precision machined gear adjustment is concealed behind the lamp. Features self locking tilt and manual locking horizontal rotation.

3. Housing: AH3 IC and air-tight construction, .040" (1mm) thick die formed aluminum. Suitable for remodel and new construction.

4. Dome: Spun aluminum, painted to a diffuse highly reflective white finish. Hides electrical hardware and tilts for easy access to junction box and transformer.

5. Plaster Plate: 14 3/4" (375mm) x 12 1/8" (307mm) x 1/8" (3mm) aluminum plaster plate, primed and mounted flush with ceiling. Apply Durabond®** ceiling compound at the perimeter of the housing. This prevents chipping and cracking at the trim aperture, which is common with other trimless fixtures.

6. Mounting: Self leveling u-shape telescoping hanger bars extend to allow mounting between studs 13 1/4" - 24" (336-609mm) O.C. Mounting is suitable for new and remodel commercial or residential drywall construction. Designed to accommodate ceiling thickness from 1/2" (13mm) to 1 1/4" (32mm). Notch and label marking for laser alignment.

7. Truly Trimless: No trim to remove, just a clean knife edge. Aperture is integral to the plaster plate, which is mounted flush with the ceiling.

8. Snoot/Back Light Shield: Machined aluminum snoot and die formed aluminum back shield controls internal spill light. The snoot carries the lamp, a soft focus lens (included) and two optional accessories. Relamp by pulling snoot, which is secured by 5 bullet catches.

9. Electrical: Standard toroidal magnetic transformer rated for 75W load at 120V 60Hz includes integral thermal protection and potting for noise reduction. Secondary output voltage is 11.8 volts. (Electronic USA & international versions: 120V, 230V, 277V). High temperature socket features pure nickel contacts. Total power consumed with load and transformer loss 55 watts 120 volts. Spring clip allows transformer to be easily removed.

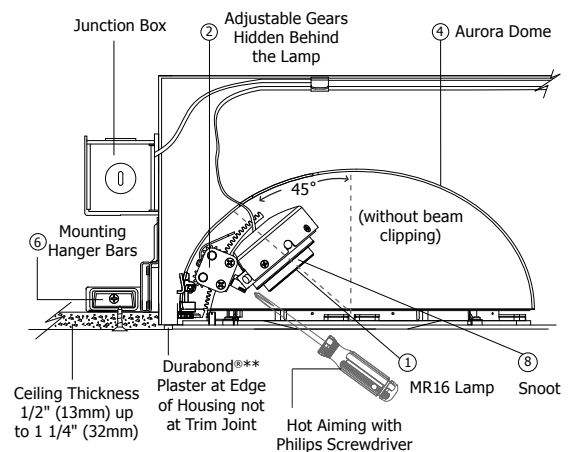
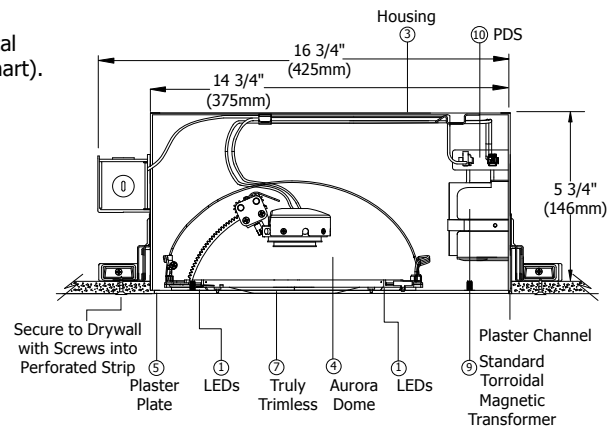
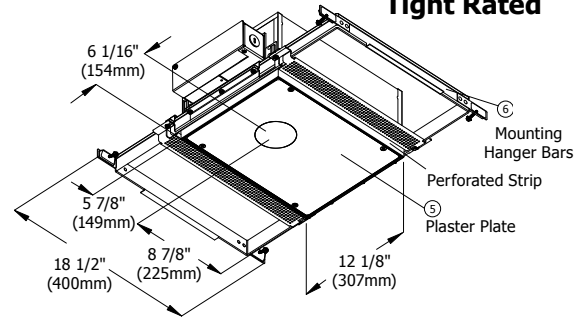
10. LED Controls/Driver: LED driver/power data supply (PDS) and RGB LED modules are integral, accessible and serviceable through the aperture. RGB LEDs may be programed as desired using a DMX signal. Compatible with Edge Lighting CDP and CTP controllers.

Halogen Dimmer Type: Dimmer must be compatible with magnetic low-voltage transformers except for electronic USA & international voltage versions.

Label: ETL listed for damp location.

Weight: 23.5lbs (10.65kg)

Accessories: Lenses and individual components (see accessories page).



AURORA ORDERING CODE FOR COMPLETE FIXTURE:

120V Standard Magnetic:

Electronic USA & International Versions:

Collection 1.3" Aperture
IC Housing Trim Finish LED

AH3 - ARE3 - RGB

Aurora Accent Red
Halogen Round Edge Green
3 - MR16 3.3" Aperture Blue

Collection 1.3" Aperture
IC Housing - Voltage Trim Finish LED

AH3-1 - ARE3 - RGB

Aurora 1 - 120V 60HZ Accent Red
Halogen 2 - 230V 50HZ Round Edge Green
3 - MR16 3 - 277V 60HZ 3.3" Aperture Blue

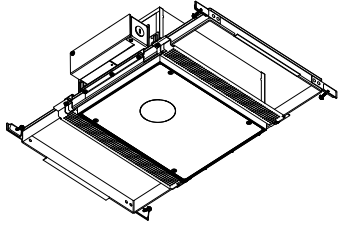
COMPANY	FIXTURE TYPE	DATE
PROJECT	APPROVED BY	

Product specification subject to change without notification. REV. 03.22.16

**Durabond® brand is a trademark of USG Corporation.

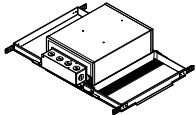
A Division of PureEdge Lighting 1718 W. Fullerton Chicago, IL 60614 • Ph: 773.770.1196 • Fax: 773.883.6128 • www.purelighting.com



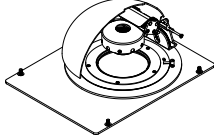


AH3-ARE3-RGB
(Complete Fixture)

INDIVIDUAL COMPONENTS

120V Standard Magnetic IC Housing Part # AH3 - 120V 60Hz  Aurora Halogen Housing Only	Electronic USA & International IC Housing Part # AH3-1 - 120V 60Hz AH3-2 - 230V 50Hz AH3-3 - 277V 60Hz
--	--

Plaster Plate Part #
ARE3-RGB



Accent Round Edge Plaster Plate Only

Trim Part #

No Trim Truly Trimless

2" Lens Accessories

PART #	COLORS
--------	--------



Dichroic Lenses

- L16-RD** RED
- L16-AM** AMBER
- L16-YL** YELLOW
- L16-GR** GREEN
- L16-BL** BLUE
- L16-PH** PEACH
- L16-MG** MAGENTA
- L16-CY** CYAN
- L16-DB** DARK BLUE
- L16-DP** DARK PINK



Optical Lenses

- L16-F** FROST
- L16-SF** SOFT FOCUS
- L16-MD** MEDIUM DIFFUSER
- L16-WD** WIDE DIFFUSER
- L16-WDF** WIDE DIFFUSER FROSTED
- L16-LS** LINEAR SPREAD
- L16-LSF** LINEAR SPREAD FROSTED



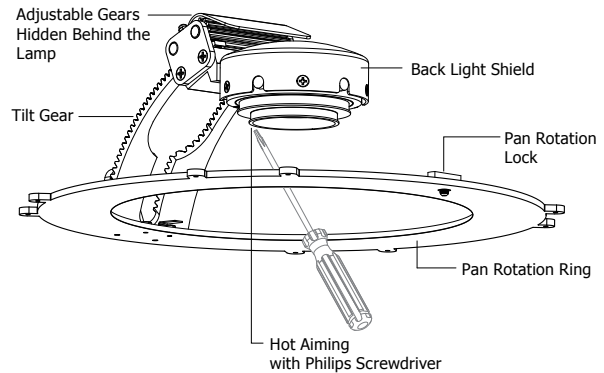
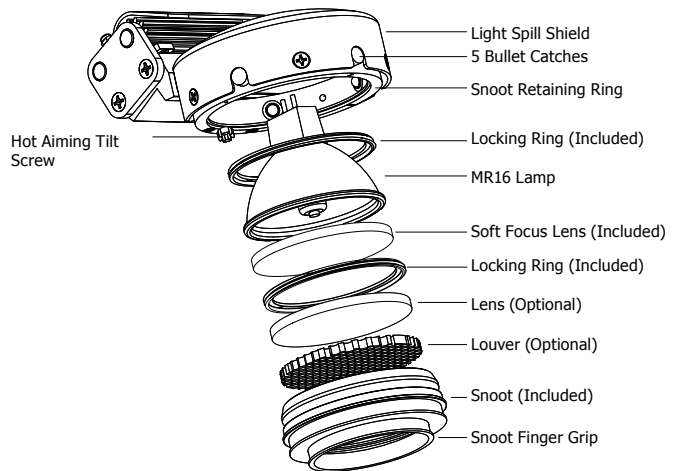
Hexcell Louver

- L016-H** HEXCELL LOUVER



U.V. Filter

- L16-UV** U.V. FILTER



A Division of PureEdge Lighting 1718 W. Fullerton Chicago, IL 60614 • Ph: 773.770.1196 • Fax: 773.883.6128 • www.purelighting.com

COMPANY		FIXTURE TYPE		DATE	
PROJECT		APPROVED BY			

Product specification subject to change without notification. REV. 03.22.16

