

Stratus LED Linear Wall Grazer

SH_SP_



System Lumens: 4' Warm White 2412 lumens, 4' Cool White 2894 lumens (est.) 1' Warm White 670 lumens (est.) 1' Cool White 804 lumens. Also available in high-power RGB.

Color Rendering Index (CRI): 83 CRI for Warm White, 80 CRI for Cool White (Warm White tested by Independent Testing Laboratory, ITL, Boulder, Colorado). All testing has been completed in accordance with IES LM-79 testing. Fixture is covered by a 5-year warranty. Pure Lighting stocks backup LED modules. LEDs are field replaceable.

Housing: Non IC, 0.080" (2.0mm) thick die formed aluminum.

Mounting: Hardware for all three types of installation conditions: new residential, new commercial and remodel. Custom length bracket also available drop ceiling installation. Mount flush for ceilings up to 10 ft. high. For ceilings over 10 ft., mount deeper in cove.

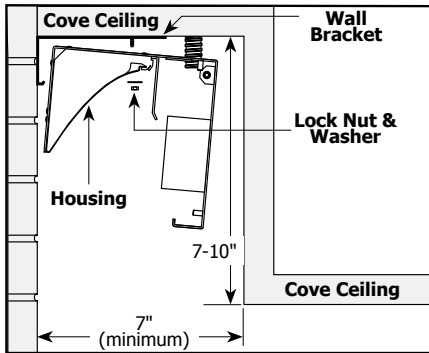
Electrical: 120-277 VAC 50/60Hz, total system watts: SH4 = 57W, SH1 = 13W, internal LED power supply per unit.

Accessories: Stratus End Caps (SG-CAP)

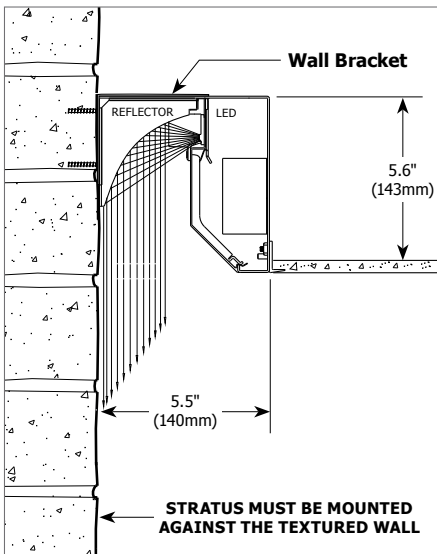
Dimmer Type: Philips Sunrise SR1200ZTUNV dimmer

RGB Controls: Touch Screen Controller with Power Supply (CTP), Color Dial Controller with Power Supply (CDP), DMX 1 Zone RGBW Touch Controller (CDMX1-RGBW)

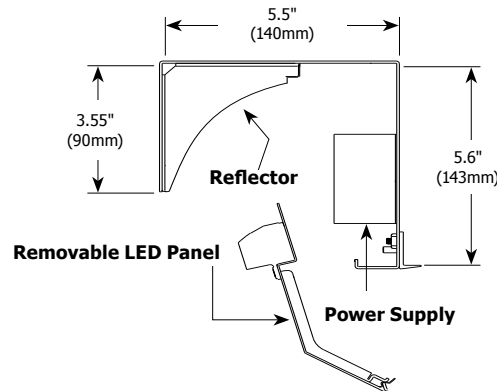
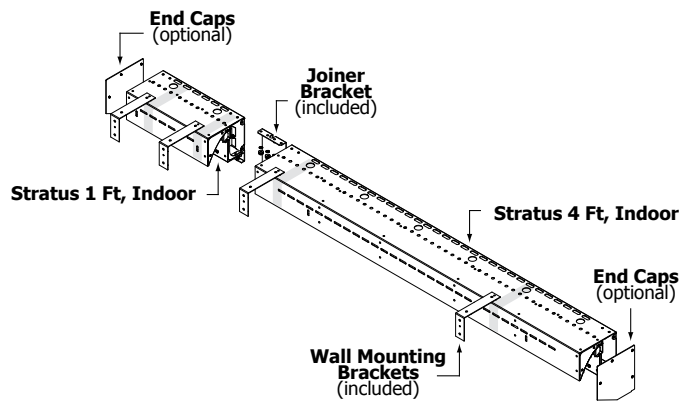
STANDARD COVE MOUNT FOR CEILINGS OVER 9FT



OPTIONAL FLUSH MOUNT FOR CEILINGS UP TO 9 FT



STRATUS COMPONENTS



STRATUS LED WALL GRAZER ORDERING CODE:

120V - 277V Standard Power Supply (Indoor)

Choose length and LED color temperature

Stratus Housing	Stratus LED Panel	Color Temperature
SH4 -	SP4 -	WW
SH1 1' (0.3m)	SP1 1' (0.3m)	WW Warm White (2800K)
SH4 4' (1.2m)	SP4 4' (1.2m)	CW Cool White (4200K)
		RGB Red, Green, Blue

120V - 277V Standard Power Supply (Outdoor and Wet Location)

Choose length and LED color temperature

Stratus Housing	Stratus LED Panel	Color Temperature
SH4 -	SP4OD -	WW
SH1 1' (0.3m)	SP1OD 1' Outdoor IP46	WW Warm White (2800K)
SH4 4' (1.2m)	SP1WT 1' Wet Location	CW Cool White (4200K)
	SP4OD 4' Outdoor IP46	RGB Red, Green, Blue
	SP4WT 4' Wet Location	

COMPANY	FIXTURE TYPE	DATE
PROJECT	APPROVED BY	

Product specification subject to change without notification. REV. 10.14.16

A Division of PureEdge Lighting 1718 W. Fullerton Chicago, IL 60614 • Ph: 773.770.1196 • Fax: 773.883.6128 • www.purelighting.com

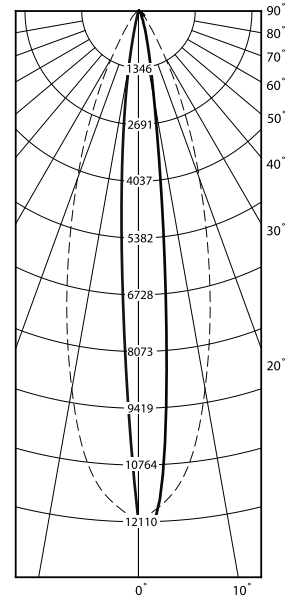


Stratus Distribution Curve

10 X 60 DEGREE BEAM

SH_SP_

CANDLEPOWER DISTRIBUTION (1) SH4-SP4-WW Warm White

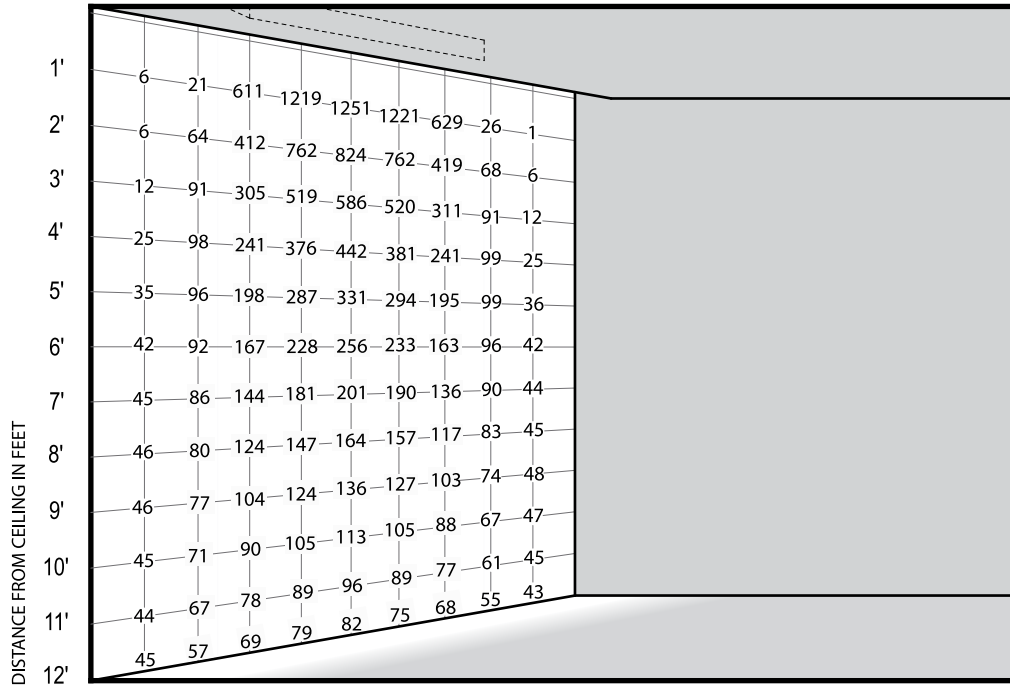


ZONAL LUMEN SUMMARY

ZONE	LUMENS	%FIXTURE
0-30	1780	73.8
0-40	2016	83.6
0-60	2325	96.4
0-90	2412	100.0
90-180	0	0.0
0-180	2412	100.0

POINT BY POINT FOOTCANDLES (HORIZONTAL PLANE) (1) SH4-SP4-WW

Photometry provided by Independent Testing Lab (ITL, Boulder)



A Division of PureEdge Lighting 1718 W. Fullerton Chicago, IL 60614 • Ph: 773.770.1196 • Fax: 773.883.6128 • www.purelighting.com



COMPANY		FIXTURE TYPE		DATE	
PROJECT		APPROVED BY			

Product specification subject to change without notification. REV. 10.14.16