



1718 W. Fullerton Chicago, IL 60614  
 Ph: 773.770.1195 • Fax: 773.935.5613  
 www.PureEdgeLighting.com • info@PureEdgeLighting.com  
 © 2016 PureEdge Lighting. All Rights Reserved.

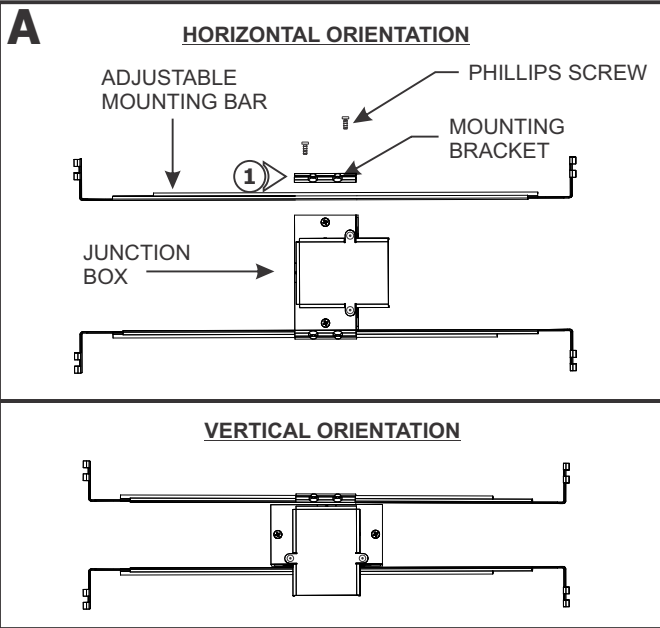
## Installation Instructions for Reveal

### IMPORTANT INFORMATION

- Reveal is used for toe kick or cove lighting.
- This instruction shows a typical installation.
- It is recommended more than one person to install the Reveal Channel.

**SAVE THESE INSTRUCTIONS!**

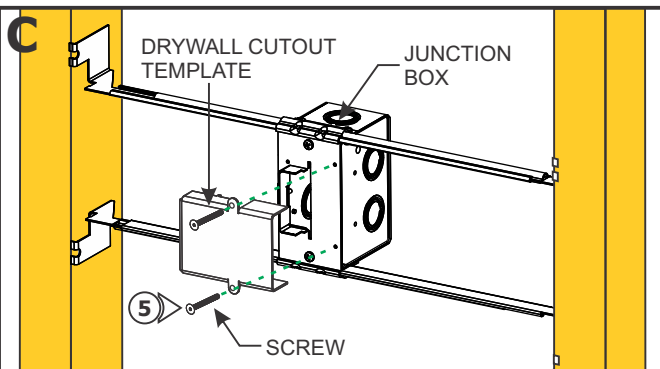
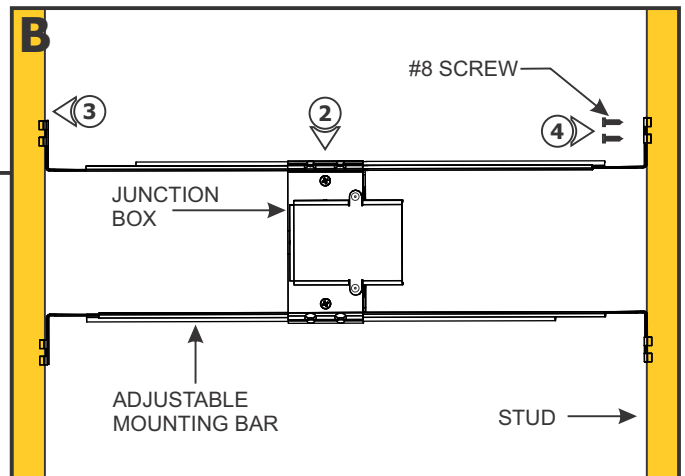
## Install the Junction Box



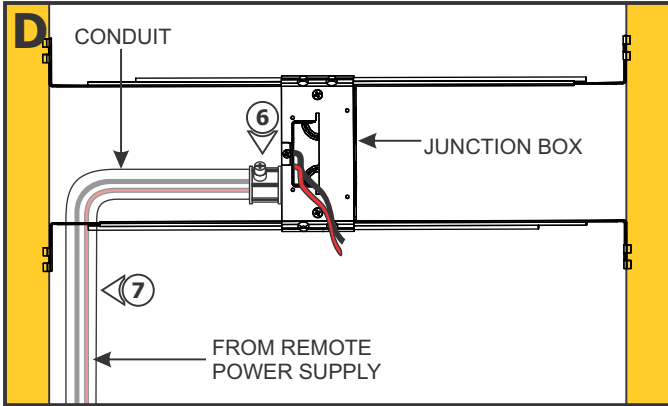
1: Mount each adjustable mounting bar to one side of the junction box (mounts to any side of the housing depending on the orientation of the channel) and secure them with the mounting brackets and two Phillips screws provided.

**NOTE:** The adjustable mounting bars mount to studs that are spaced 13" to 24" apart.

- 2: Select the location between the two studs for the junction box to be mounted.
- 3: Place the adjustable mounting bars between the studs.
- 4: Make sure the lips on the adjustable mounting bars are against the studs. Secure the adjustable bars to the studs with the eight #8 screws.

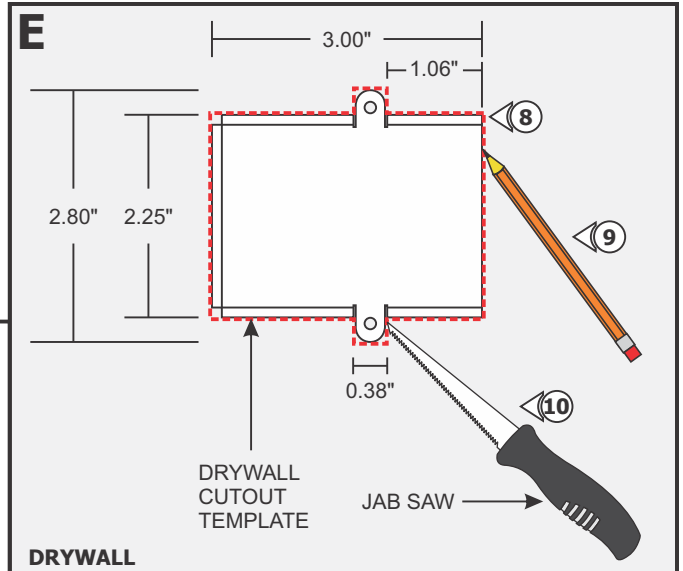


5: Remove the two #4-40 screws to pull the drywall cutout template completely off the junction box face. Save the template and screws for later use.



**6:** Remove a knockout on the junction box to install conduit into the power feed electrical box.

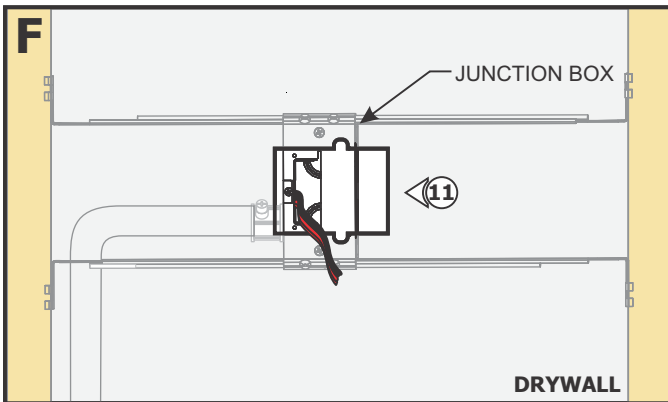
**7:** Install the conduit and run the low voltage 24VDC power wires.



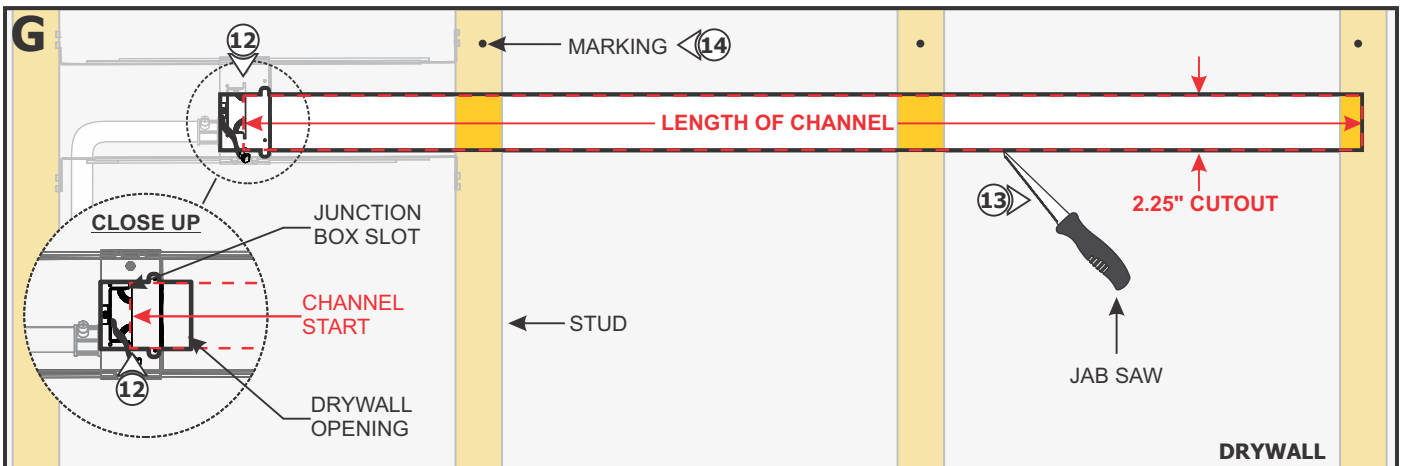
**8:** Mark a location on the drywall where the junction box will be located.

**9:** Trace the drywall cutout template onto the drywall at the junction box location.

**10:** Remove drywall cutout template and cut out the marked area using a jab saw or other appropriate tool to expose the junction box.



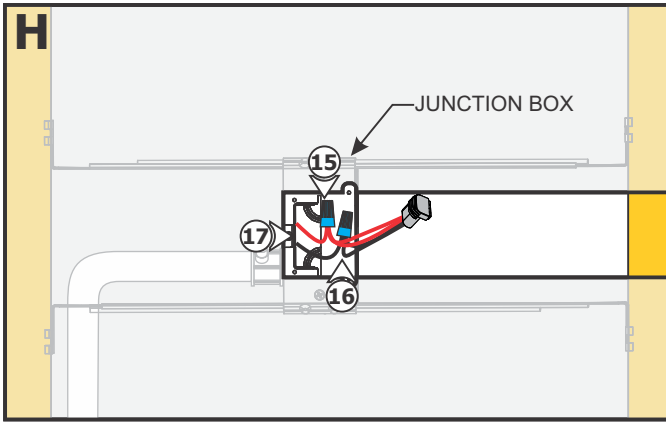
**11:** Install the drywall.



**12:** Using the drywall opening as reference, mark 2.25" wide lines, the complete length of the channel along the drywall.

**13:** Cut out the mark lines on the drywall using a jab saw or other appropriate tool.

**14:** Mark the location to the studs for future reference.



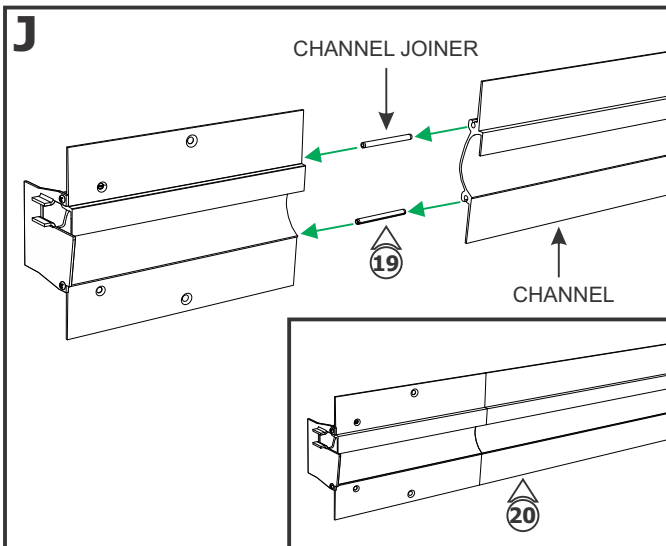
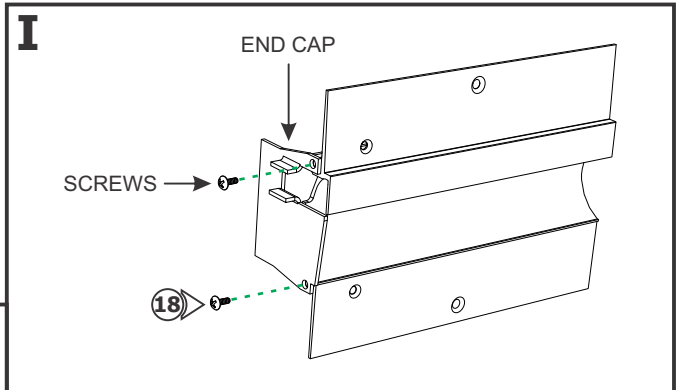
**NOTE:** Remote power supply wires must be present in the junction box. Refer to instructions provided with the power supply.

**15:** Connect the red power supply (24VDC+) wires to each red power wire with a wire nut inside the electrical box.

**16:** Connect the black power supply (24VDC-) wires to each black power wire with a wire nut inside the electrical box.

**17:** Place the wire nut connections inside junction box.

**18:** Install the power feed end cap to the end of the channel that will be aligned with the junction box with the supplied screws.

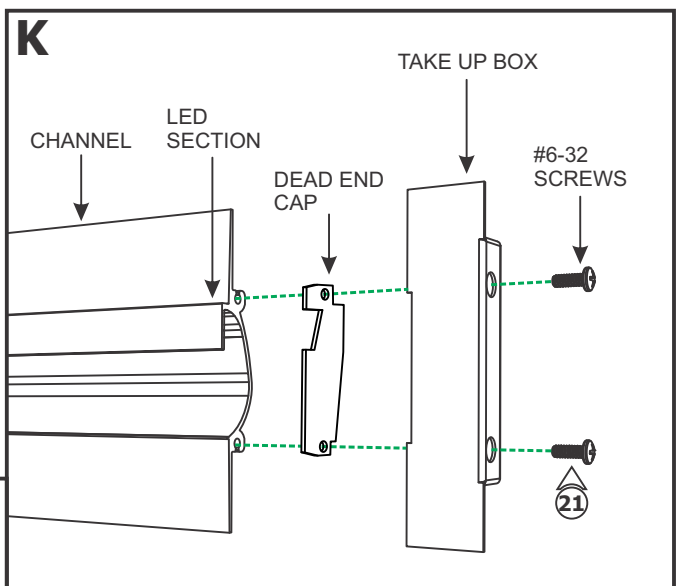


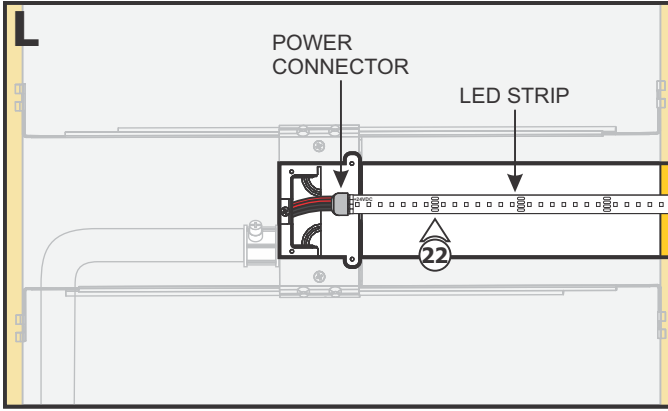
**NOTE:** For installation over 120" join two or more Reveal channels together.

**19:** Insert channel joiners halfway into the channel.

**20:** Slide another channel onto the joining rods.

**21:** Install the dead end cap and take up box to the end of the channel opposite of the junction box using the supplied screws. Ensure the slot of the dead end cap aligns with the LED section of the channel.





**NOTE:** Test the LED strip before securing the channel to the drywall.

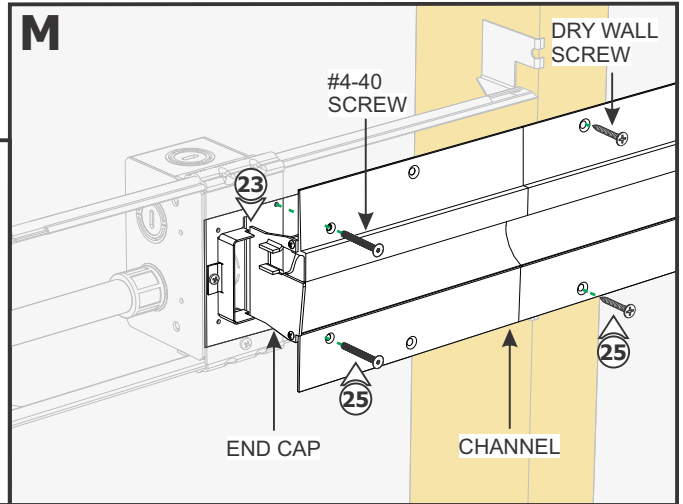
**22:** Align the "+24VDC" marking on the LED strip with the red wire of the power connector. Push the male connector of the LED strip into the female connector of the power cables. Inspect the strip for any irregularities.

**23:** Align the power feed end cap into the junction box opening slot and push the channel into the drywall cutout.

**24:** Make sure the channel is aligned straight using a level.

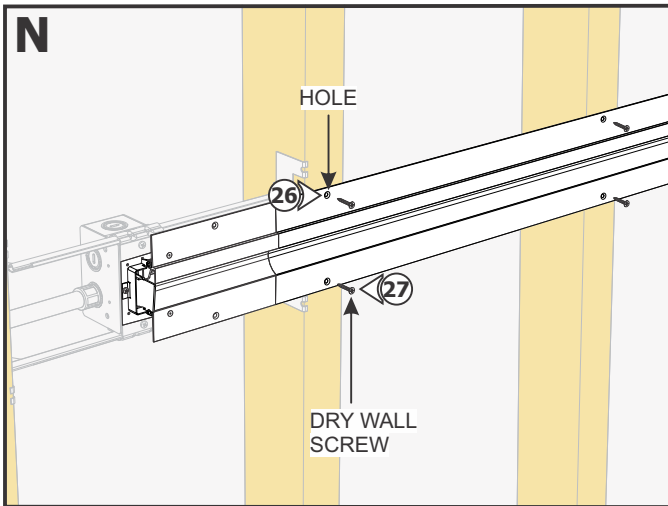
**25:** Secure the channel using the two #4-40 screws to the junction box (same screws as in step 5 page 1). Fasten the drywall screws through the pre-drilled holes onto the studs. **If necessary drill new holes on channel flange where they line up with the studs using the #6 X 1-5/8" square trim screw with the square recess bit provided.**

**NOTE:** Ensure screw heads sit flush with the channel.



**26:** Drill and countersink holes to the channel at marked stud positions.

**27:** Secure the channel to the studs using drywall screws.

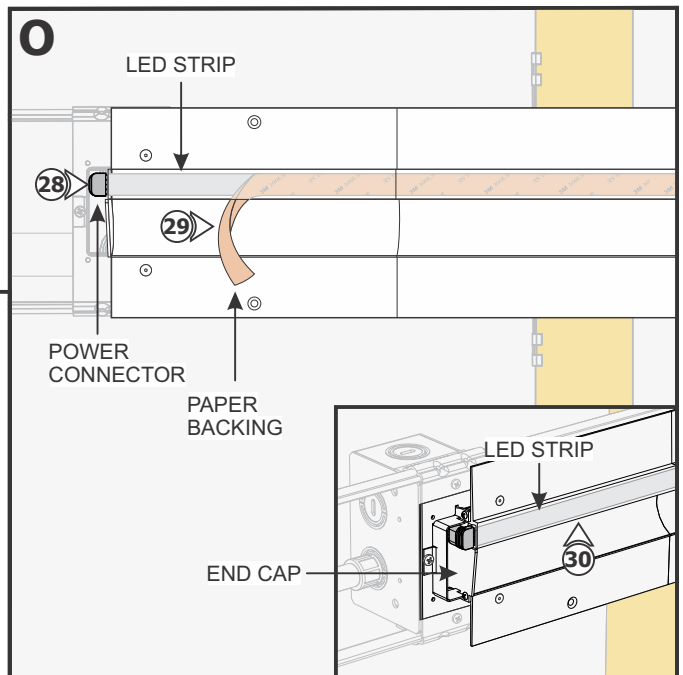


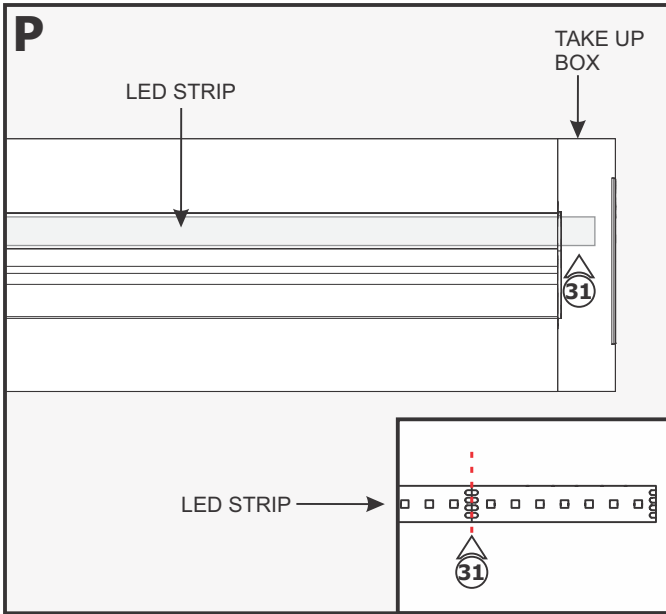
**NOTE:** If installation requires RGB, RGB+W, or Tunable White, refer to wiring diagrams on pages 7 through 9.

**28:** Connect the LED strip to the power connector and place the power connector into the slot in the power feed end cap.

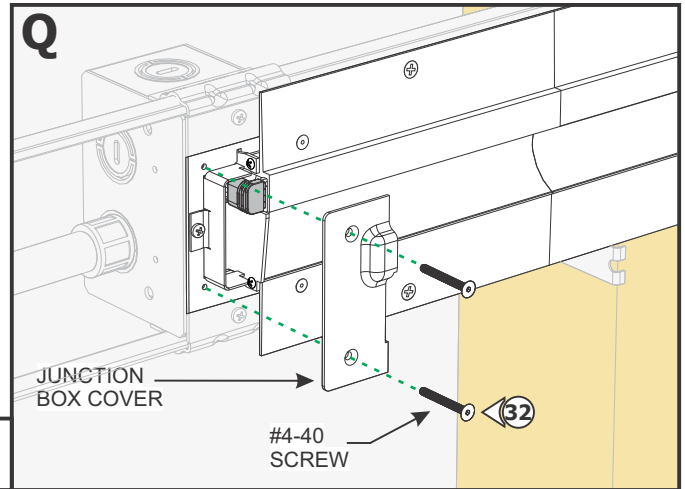
**29:** Carefully remove the backing from the LED strip, making sure not to remove the tape from the back of the strip.

**30:** Firmly press down the adhesive portion of the LED strip onto the channel surface while removing the rest of the backing, making sure there are no air bubbles that can cause surface irregularities.

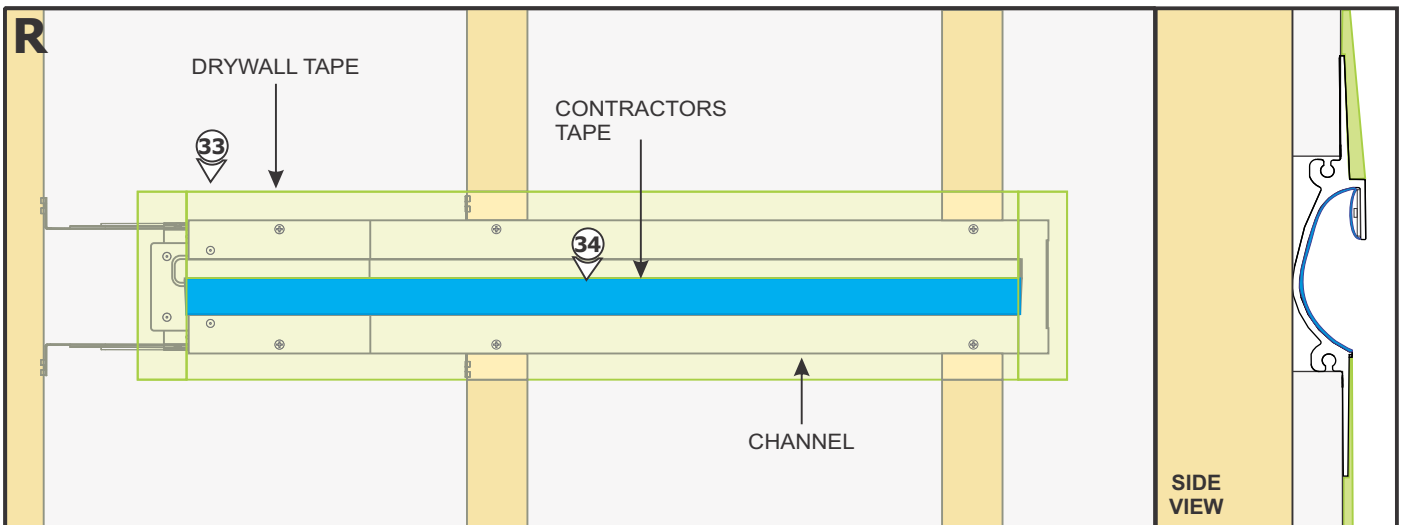




**31:** Trim excess LED strip ONLY at the indicated trim lines (see inset). Insert excess LED strip into the take-up box.



**32:** Install the junction box cover onto the junction box using the #4-40 screws using a 1/16" Allen wrench.



**NOTE:** Do Not use premixed joint compound "Soft Mud." No use compuesto para juntas premezclado "Soft Mud."

**NOTE:** For areas with lots of vibration, it is suggested to use Durabond to avoid cracking of plaster.

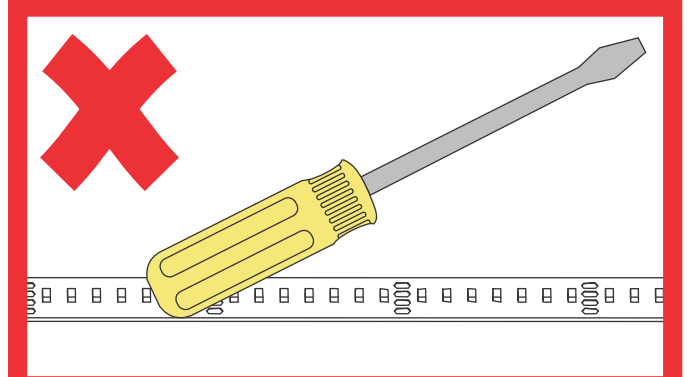
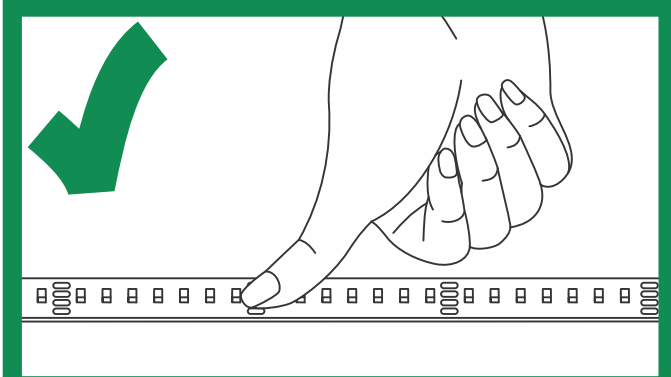
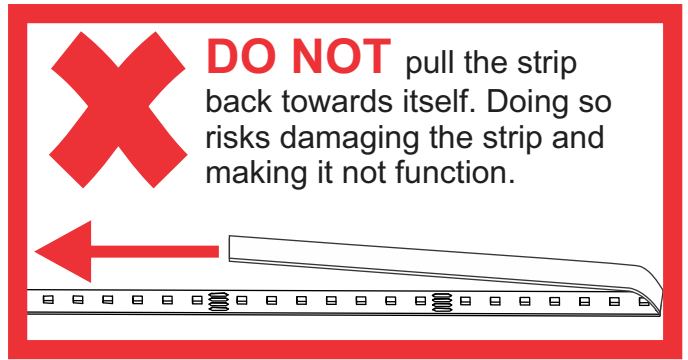
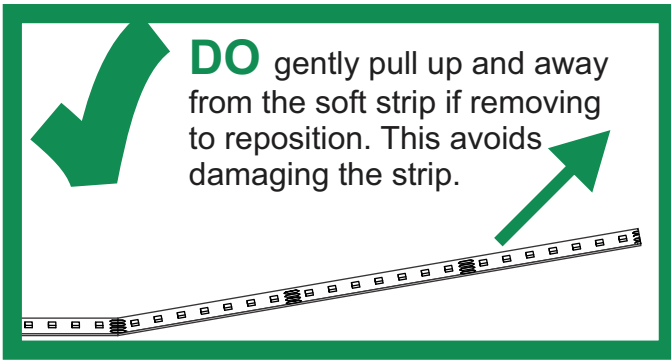
**33:** Must apply drywall tape (Ultra-Thin drywall tape suggested) along edges of channel to prevent cracking of plaster after installation. **DO NOT** overlap strips of drywall tape.

**34:** Cover up the opening section of the Reveal channel with contractors tape to prevent plaster and dust entering inside the channel.

**35:** Plaster the channel flange edge to the wall & fill screw holes (highlighted in green). Sand, paint, and finish the wall properly.

**36:** Remove the blue contractor tape & clean the inside of the channel.

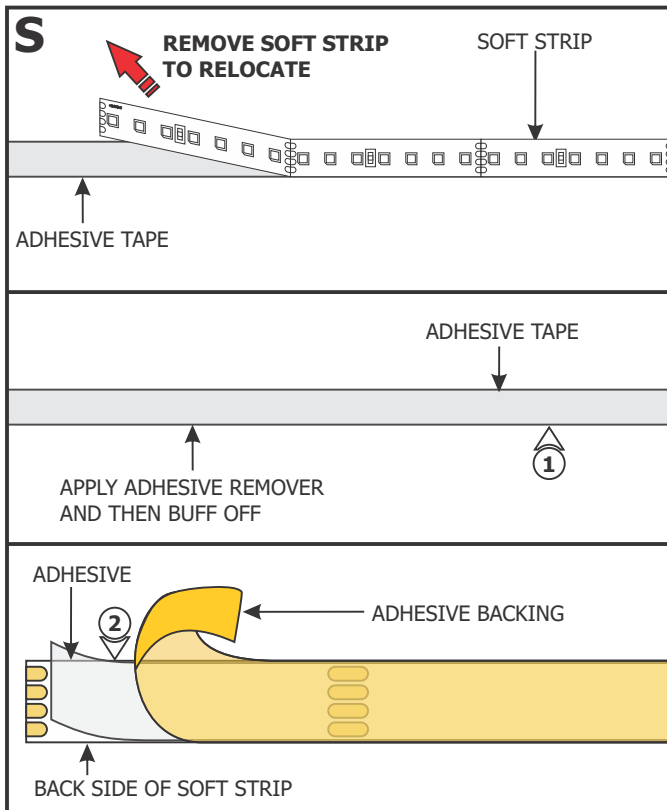
## IMPORTANT INFORMATION REGARDING INSTALLATION AND REWORK OF SOFT STRIP LED



**DO** only ever use fingers to gently install soft strip to a surface **AFTER** cleaning the surface with alcohol.

**DO NOT** use any tool to install soft strip to a surface. This will damage the soft strip component.

### Relocating Soft Strip (Optional)

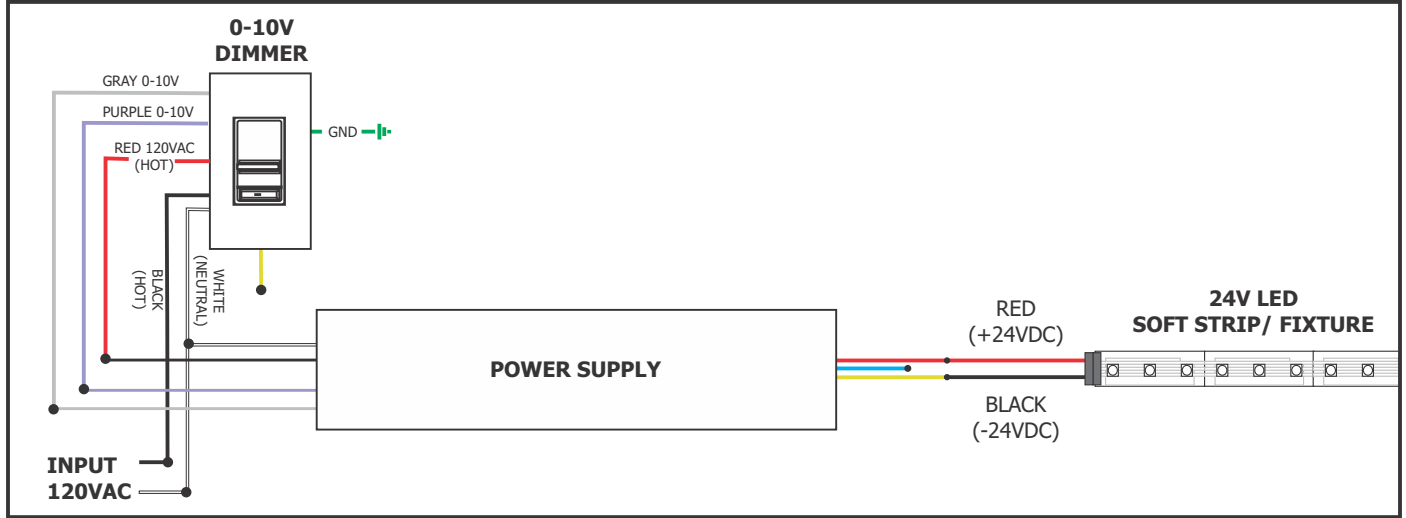


**NOTE:** If relocating the installed soft strip, make sure that the adhesive tape on back of the soft strip covers the entire strip. The adhesive tape isolates the strip from the installation surface. Damaged or inconsistent adhesive tape may cause the contacts on the back of the strip to come in contact with the conductive heat sink which will cause the strip to short and burn. Call Edge Lighting to get replacement adhesive tape and/or optional aluminum heat sink tape (SS-HR-F).

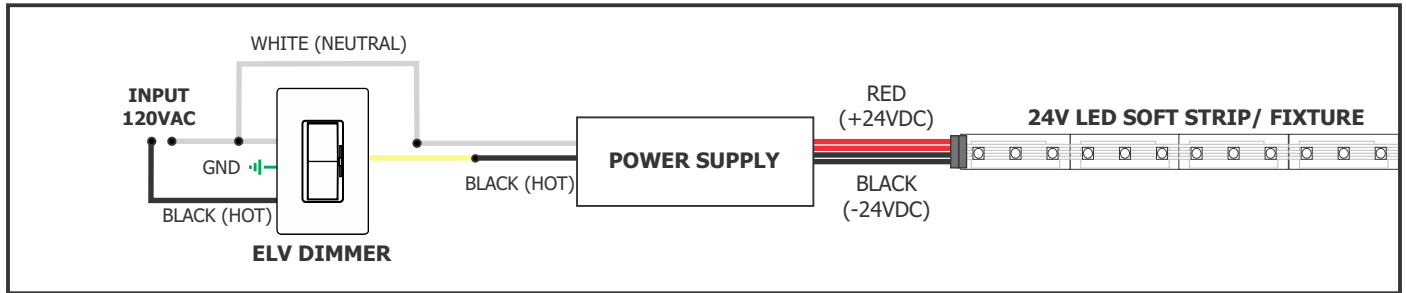
- 1:** To remove tape residue from back of the strip, apply WD-40, Goo Gone, or a mixture of warm water and lemon oil to the corner of a clean, dry towel. Gently buff the area containing the adhesive residue until it is completely removed.
- 2:** Gently remove a few inches from one side of the tape backing. Attach the adhesive tape to the back of the soft strip and apply moderate pressure to affix the tape. Continue this step a few inches at the time until the entire adhesive tape is attached to back of the soft strip.
- 3:** Refer to steps 28 through 31 on pages 4 and 5 to reinstall the LED strip.

# Wiring Diagrams

## General 0-10V Configuration

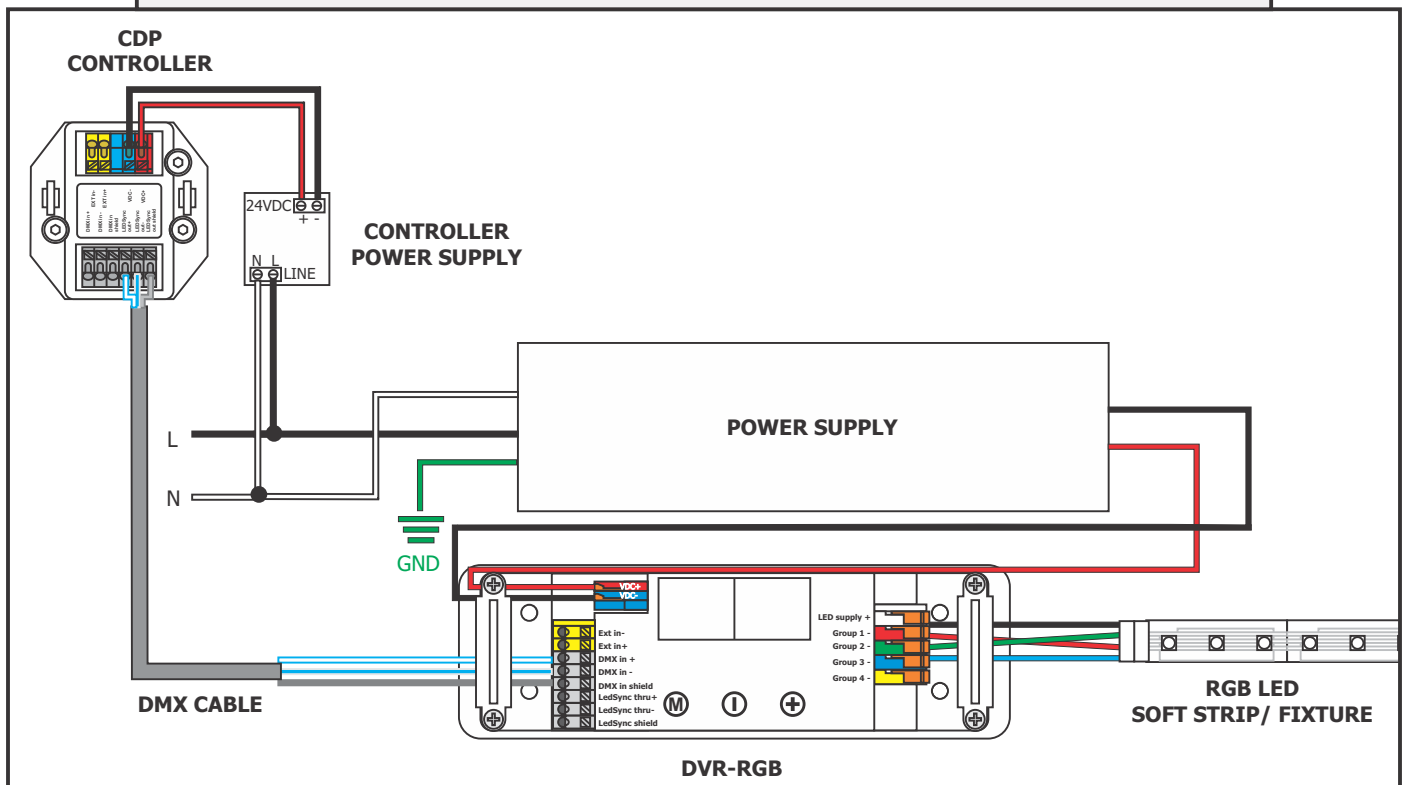


## General 24VDC Configuration



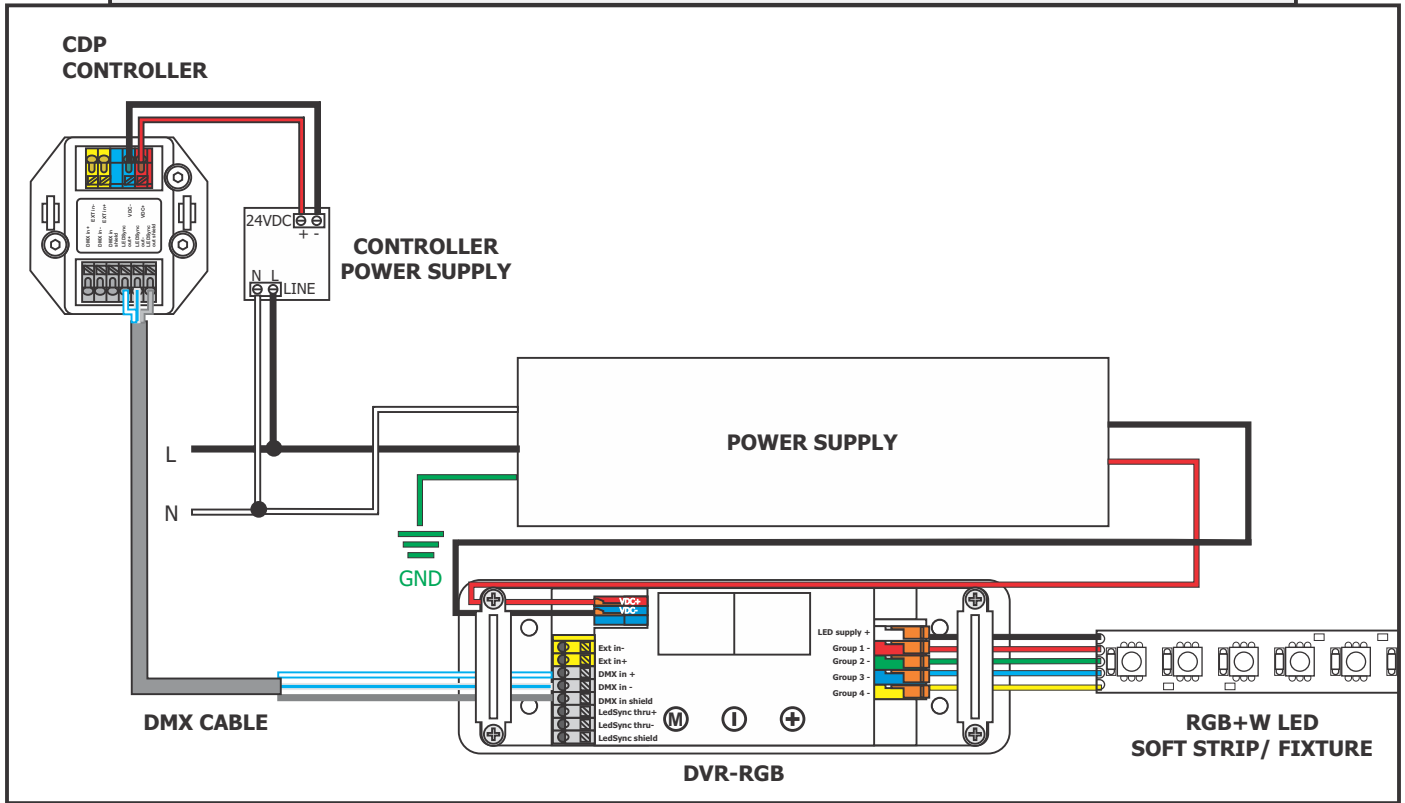
## RGB Configuration

### Using LED Power Supply with RGB Soft Strip & CDP, CTP or CDMX Control

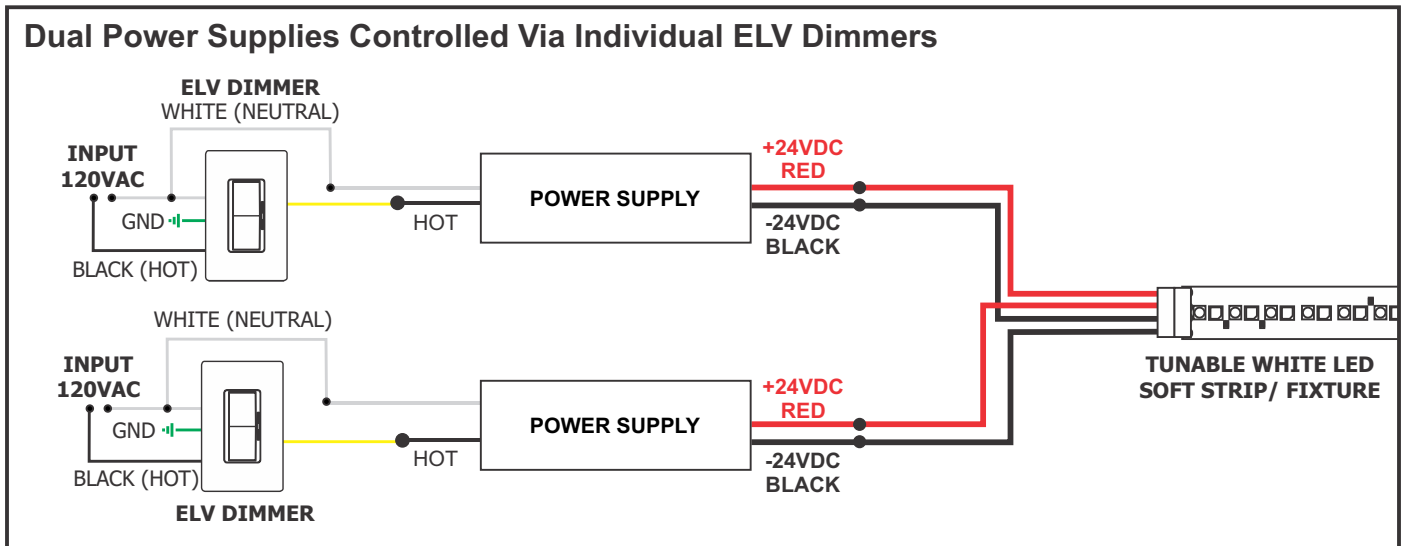


# RGB+W Configuration

Using LED Power Supply with RGB+W Soft Strip & CDP, CTP or CDMX Control



# Tunable White Configuration





# Tunable White Configuration

