

CARE INSTRUCTIONS

Use and care of your lamp.

You have just purchased an original handmade product by LZF. Your lamp is made out FSC® certified natural wood with our patented veneer finish Timberlite®. This treatment both protects and safeguards the wood veneer against breakages.

Depending on the type of lamp use a feather duster, soft cleaning cloth or damp cloth for cleaning. On our more delicate shades, like those made from wood strips, a feather duster or an air blower is preferable. In our more solid shades a damp cloth may be used. Clean only the flat surface of the veneer with the cloth, and please avoid any moisture contact along the edge of the veneer.

Bulbs

We recommend using energy-saving light bulbs, like the CFL or LED bulbs. Please refer to the instruction manual or visit our website www.lzf-lamps.com to make sure you are using the right type of bulb.

You can buy bulbs directly from our company; check our catalogues for availability.

Precautions

Avoid direct sunlight, strong indirect sunlight and moisture on the lamp. Unplug the lamp before cleaning or changing the light bulb. Servicing of the electrical installation should only be performed by qualified electrical personnel by LZF.



Raindrop



SET UP
USA & CANADA

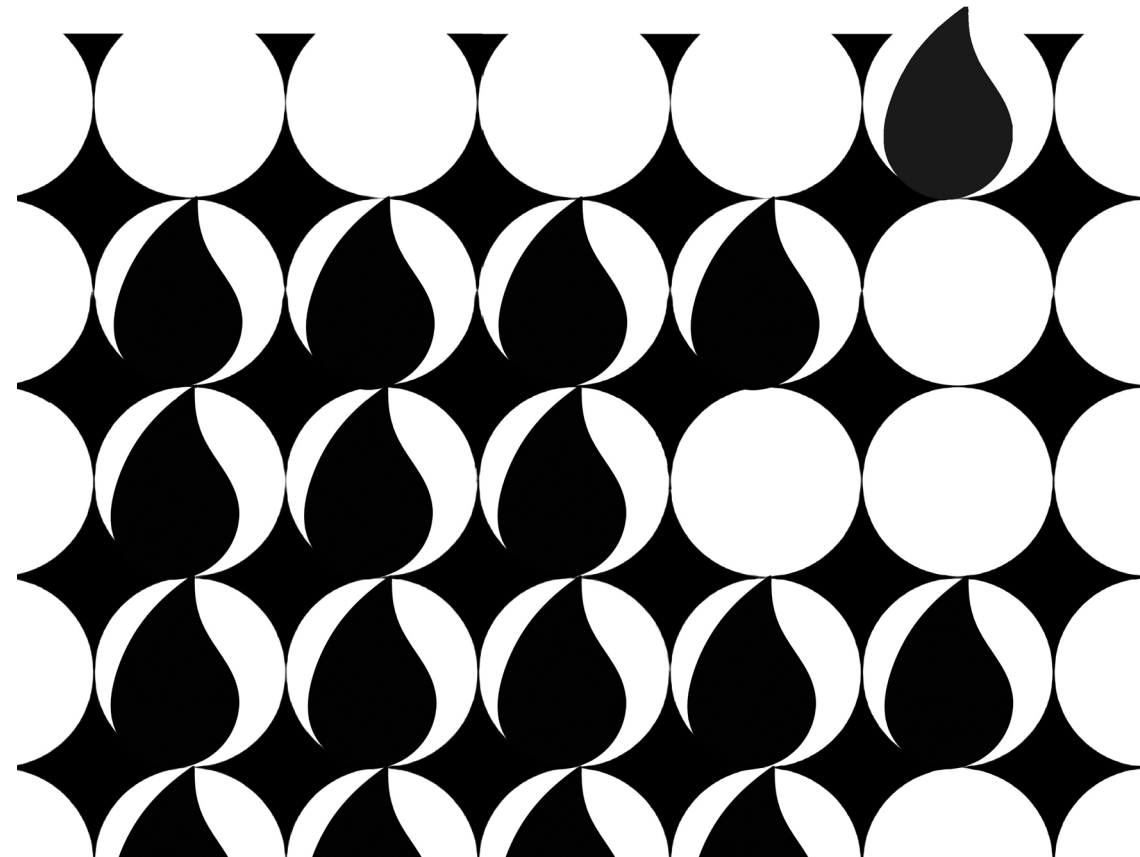
RDROP SM UL



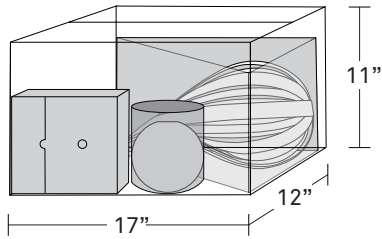
www.lzf-lamps.com
contacts@lzf-lamps.com

© Luziferlamps, S.L. Valencia, Spain. 2014. All rights reserved.

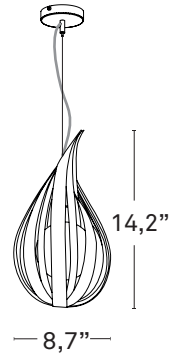
REV. 10-2014



Packing case



Shade Dimensions




Contains

- Shade.
- Box with metal canopy, electrical cable & steel cable.
- Glass ball.
- Bag with allen key.



Recommended bulb G9

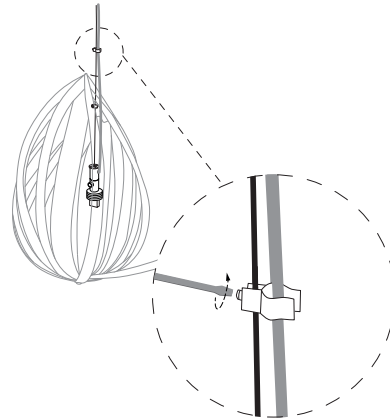


Class I 

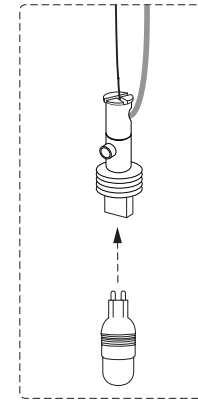
Dry location only



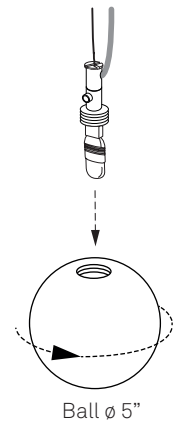
14. Put on the cable clip that are removed in step 8, and clip it to the electrical cable.



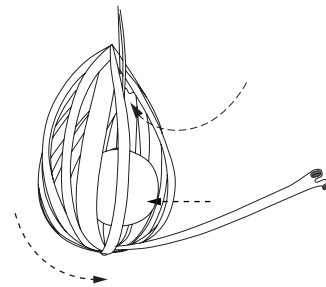
15. Plug in the G9 lightbulb.



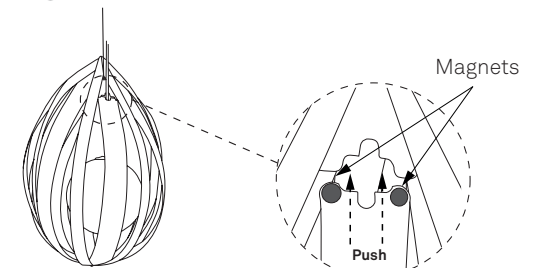
16. Insert the G9 light bulb holder and screw the glass ball onto it.



17.

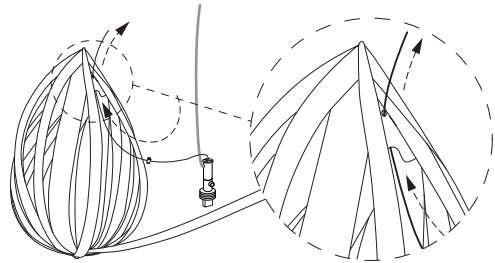


18.

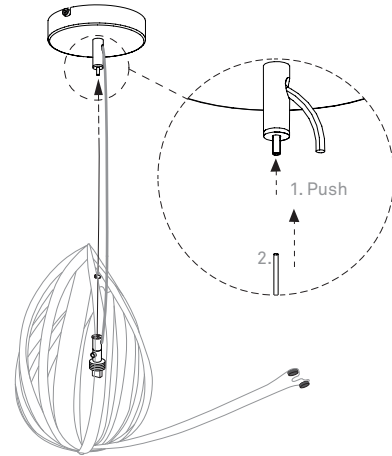


Putting on the shade

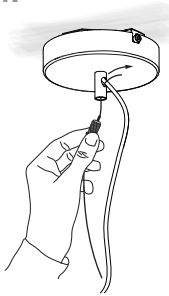
9. Put the steel cable through the small hole in the veneer.



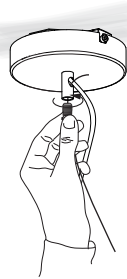
10. Push the steel cable into the nipple at the end of the suspension system.



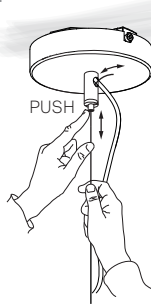
11.



12.

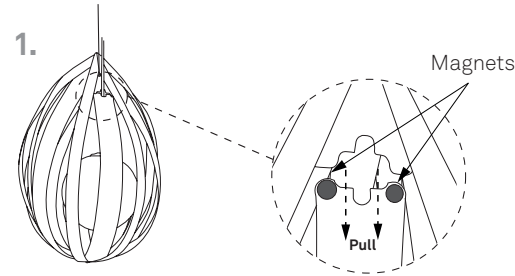


13.

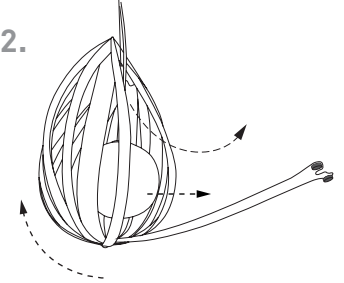


How to change the bulb

1.



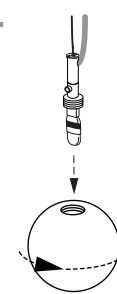
2.



3.



4.

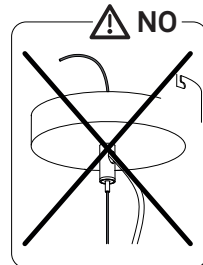
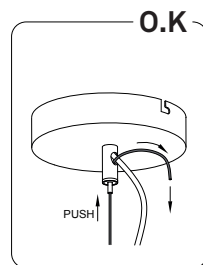


5.



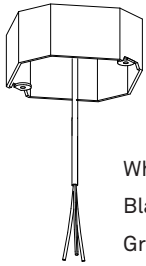
ATTENTION

Improper installation may result in shock hazard.
Please be sure suspension cable remains outside the electrical box.
See diagram attached for proper installation.



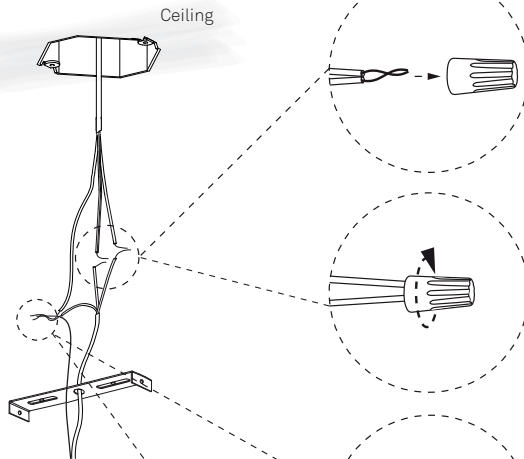
Lamp Mount

1. Junction box

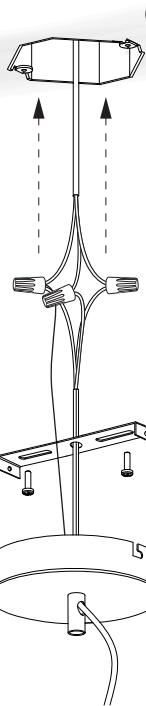


White - NEU
Black - HOT / LINE
Green - ⊕

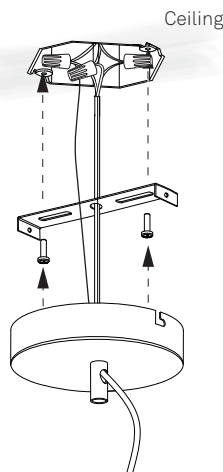
2.



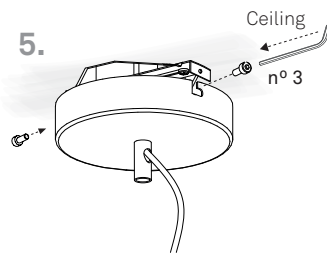
3.



4.



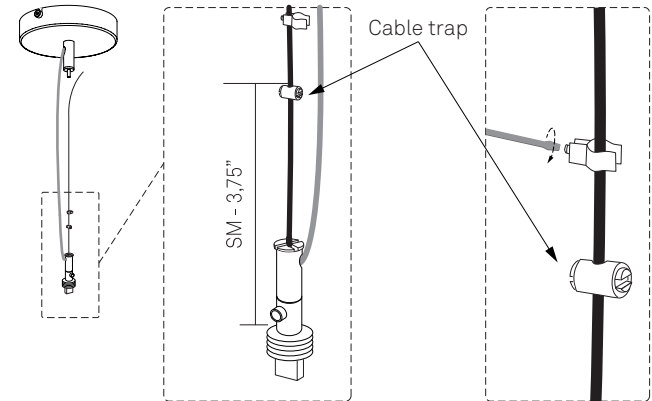
5.



6. Undo the steel cable.



7. Place the cable trap at the specified height.



8. Take off the cable clip a put aside till step 14.