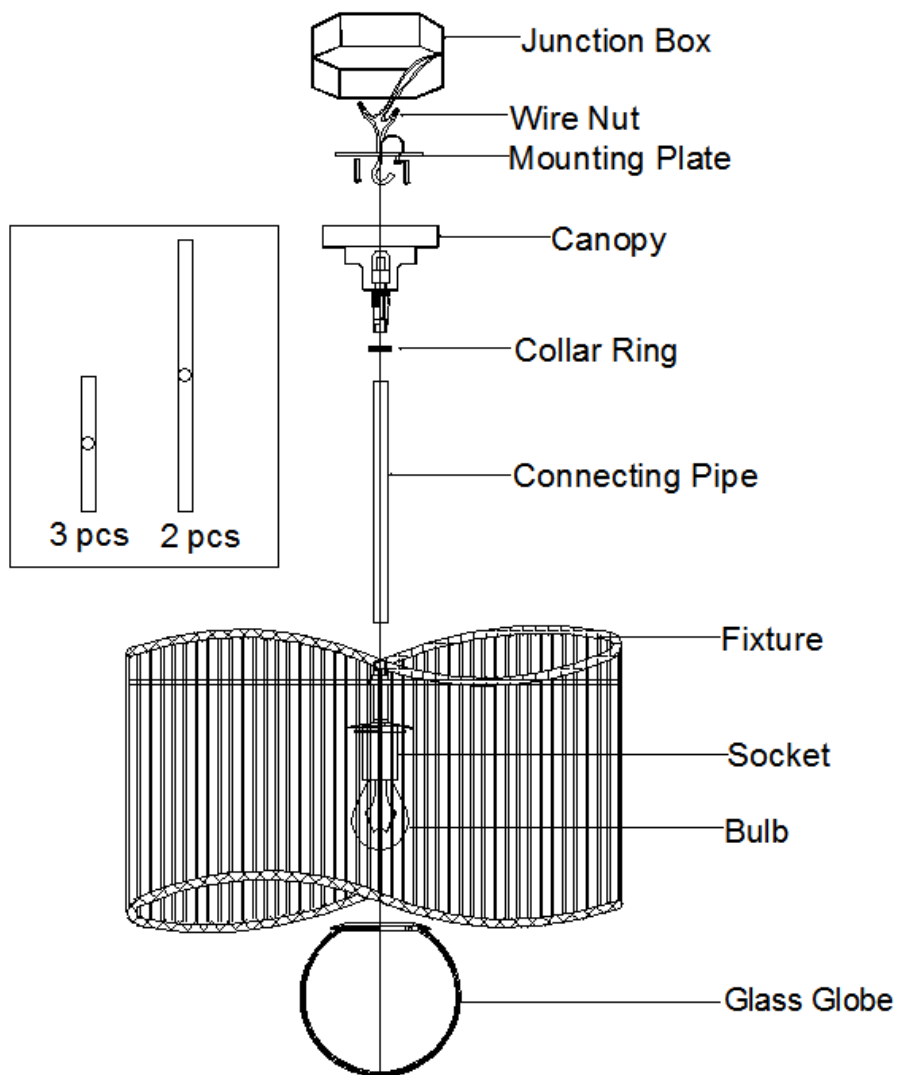


Figure 1



REGINA ANDREW

DETROIT

ITEM NO: 16-1403
Nimes Drum Pendant

CAREFULLY INSPECT THE ITEM BEFORE INSTALLATION

WE STRONGLY RECOMMEND THE ITEM BE INSTALLED BY A LICENSED ELECTRICIAN.
These instructions are provided for your safety. It is very important that they are read completely before beginning the installation of your fixture.

ASSEMBLY INSTRUCTIONS

FOR WIRING DIRECTLY INTO THE JUNCTION BOX (Figure 1)

1. Turn off the breaker to the junction box at the electrical panel.
2. Inspect all parts and inventory, making sure to check all sides of the packaging for additional parts.
3. Determine the desired height of the fixture and assemble the appropriate amount of extension rods.
4. Trim the electrical cords to length, making sure to leave an extra 6-10 inches to make all connections.
5. Install the mounting plate onto the junction box with the included machine screws.
6. Run all electrical through the screw collar loop into the junction box. Attach ground wire from fixture to ground wire from junction box. Fasten wires together with wire nut and tightly wrap connection with electrical tape. Attach hot wire from fixture (black color or smooth side of wire) to hot wire from junction box. Fasten wires together with wire nut and tightly wrap connection with electrical tape. Attach neutral wire from fixture (white in color or ribbed side of wire) to neutral wire from junction box. Fasten wires together with wire nut and tightly wrap connection with electrical tape. Carefully push wire connections back into ceiling junction box.
7. Connect connecting pipes with canopy and fixture, tighten with collar ring.
8. Insert the appropriate bulbs into the sockets.
9. Attach the glass globe onto the fixture, and tighten it.
10. Turn the breaker to the junction box back on and enjoy.

Made in China