

STACK Chandelier | Installation Instructions

IMPORTANT SAFETY INSTRUCTIONS:

If you are unsure about your ceiling/wall type or what mounting method you should use, consult a qualified professional or your local hardware store. We recommend installation of this fixture by a licensed electrician.

Note: this fixture has been pre-wired with the requested drop height so no further adjustment should be required. This fixture is 24V and require remotely located 24V drivers (included).

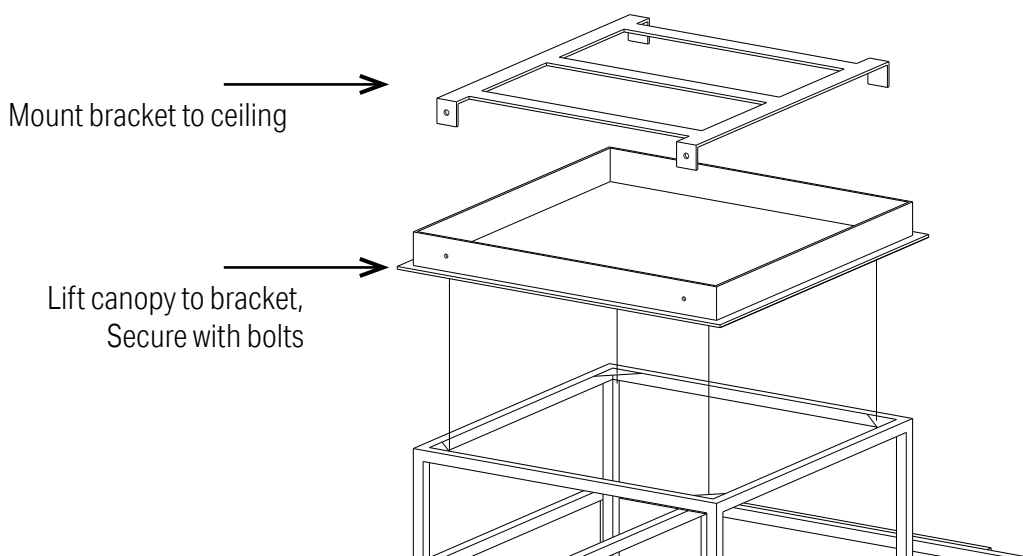
DO NOT CONNECT DIRECTLY TO 120V POWER

Do not connect drivers to the fixtures while the power is on. Power to the drivers must be off when connection to the fixtures is made. Permanent damage may occur if connected with power on.

Carefully remove from packaging and place fixture on non-scratching surface. ***The fixture should remain wrapped until hung and the installation is complete.***

NOTE: STRUCTURAL BLOCKING SHOULD BE INSTALLED PRIOR TO HANGING FIXTURE.

1. Remove the mounting bracket from the canopy - note the orientation sticker on the canopy and mounting bracket. Screw the mounting bracket onto the junction box (must be a reinforced jbox).
2. Once the bracket has been securely mounted to structure the low voltage (24v) connection can be made. Ensure that there is no power running to the feed wires prior to connecting the fixture.
3. Make the connection from the driver to the junction box. Black to black, white to white, and connect the ground wires. Test electrical connection at this point. Once connected, carefully tuck the wires into the junction box and mount the canopy faceplate to the bracket.
4. The fixture can now be carefully lowered to the set height. Ensure the cables are fully supporting the fixtures prior to letting it hang on its own.
5. Carefully unwrap the fixture - installation is now complete.



NOTE:

The installation of this fixture depends on the materials into which the bracket will be anchored to and are not supplied by Ridgely Studio Works. The testing of the substrate strength is the responsibility of the installer. The substrate should be able to hold the entire weight of the fixture or more for added strength/safety. Carefully evaluate the substrate and fixture weight prior to mounting in order to make sure the substrate is not overloaded. The fixture must be installed into a solid structure (ie. cross members, beams, joists. etc) in the ceiling

These instructions do not claim to cover all details or variations in the equipment, procedure, or process described, nor to provide directions for meeting every possible contingency during installation, operation or maintenance. RSW does not take any responsibilities in installation of product in this manual. Person in charge of installation MUST have a proper certification and is fully responsible.