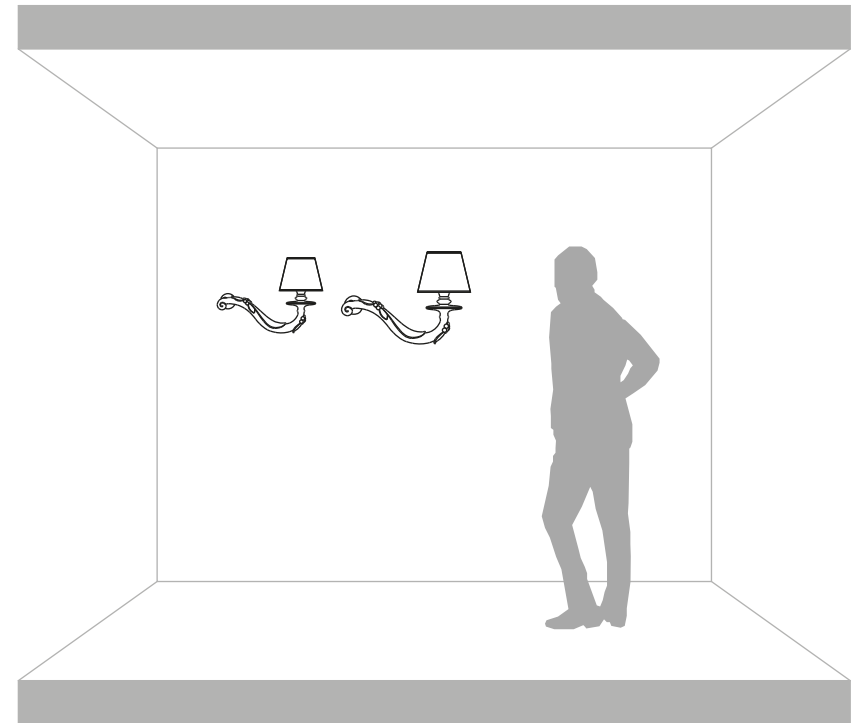


DEJÀ-VU

AP627-45B
AP117- 3B

AP627-60B
AP117-4B

110 V.
max 1x18W E26

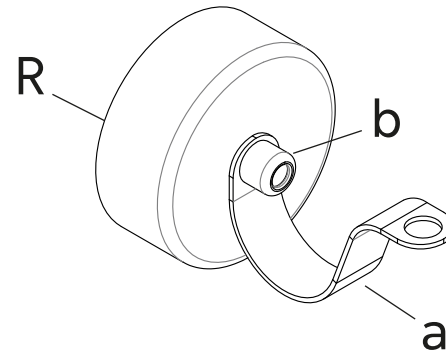
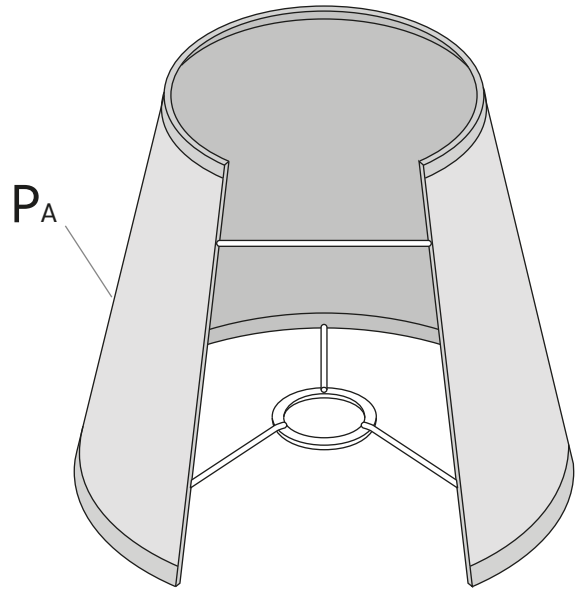


DRY LOCATION

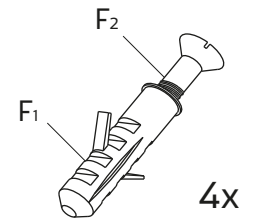
Karman srl

Via A. Grandi, San Martino del piano, 61034 Fossombrone (PU), Italy - p.iva 02175640412 tel +39 0721 71 5042 r.a fax +39 0721 716640 - www.karmanitalia.it

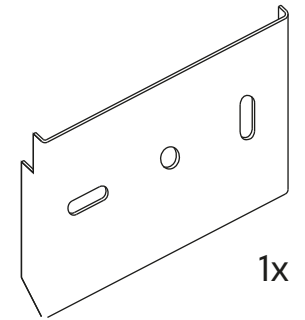
C - 01



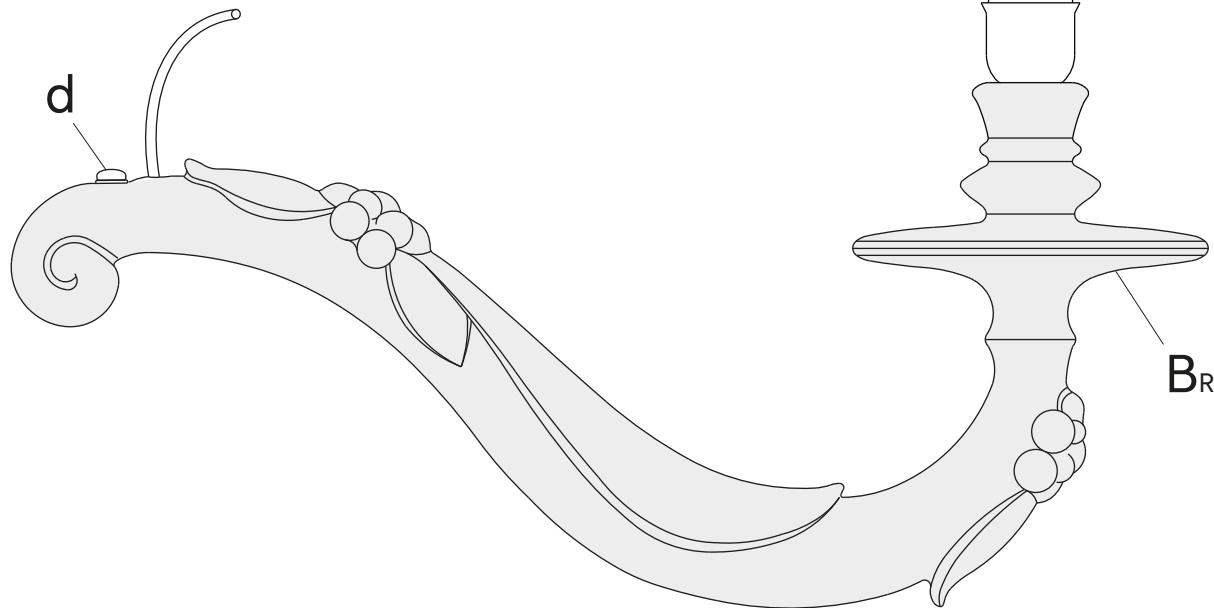
F



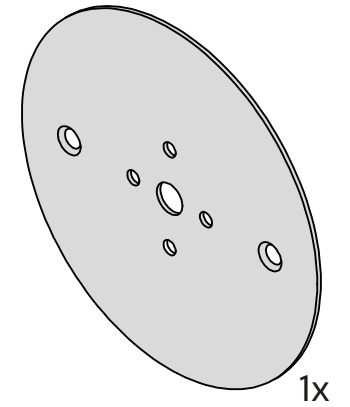
B

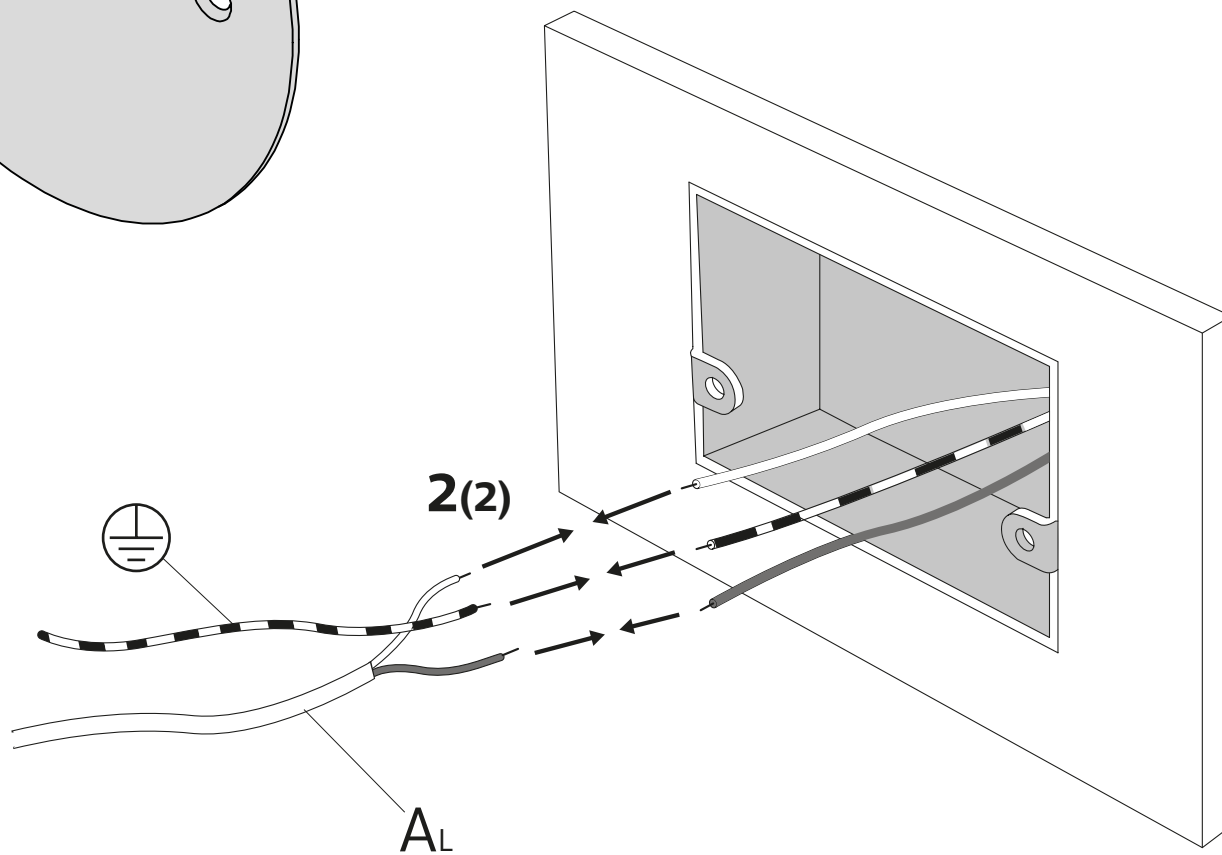
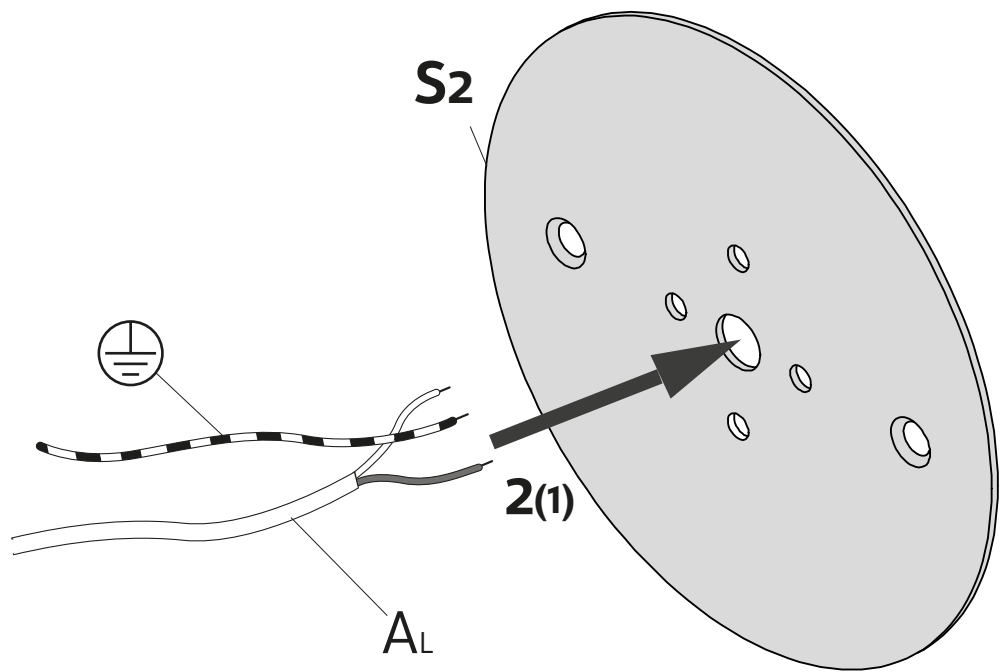


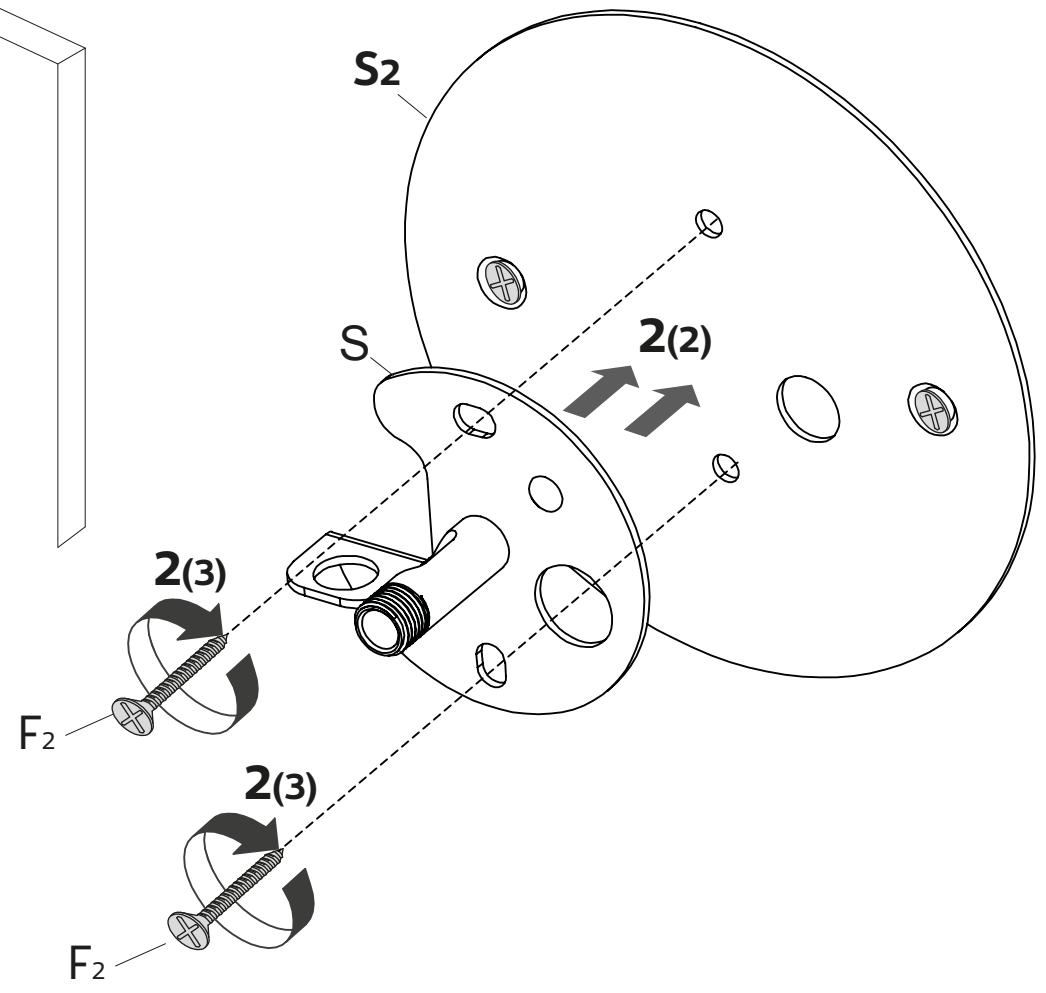
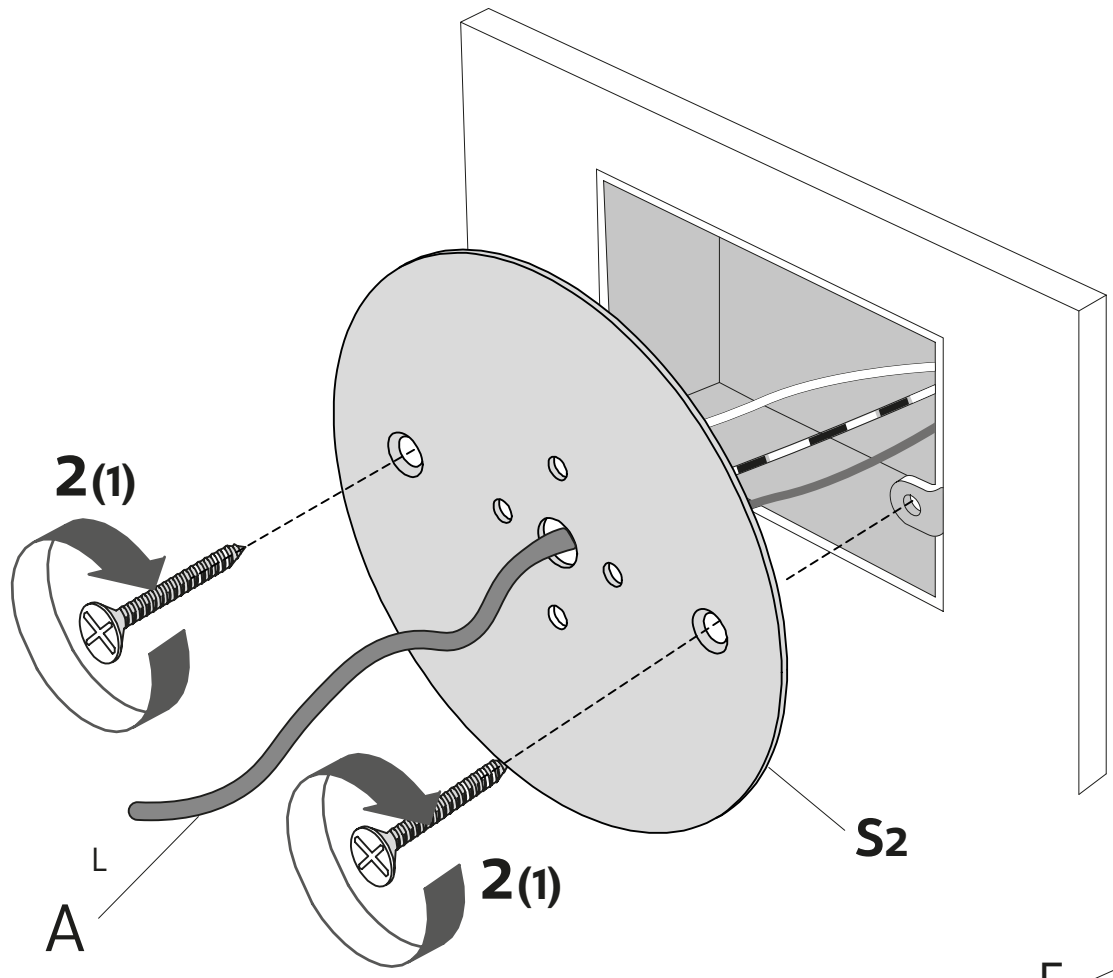
A_L

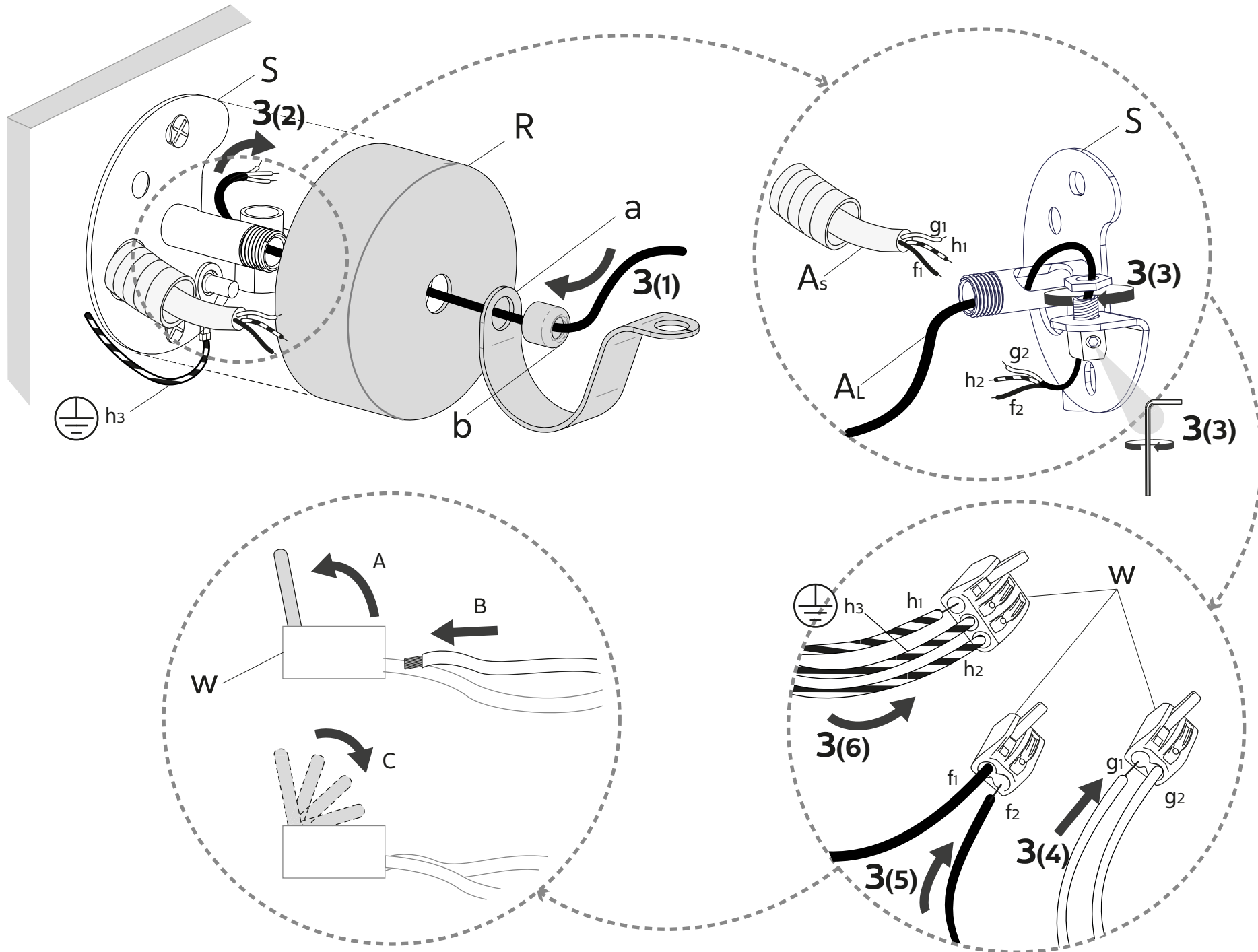


S₂









AP627-45B/AP117-3B L: 33-34cm H: 13-14cm

AP627-60B/AP117-4B L: 44-45cm H: 17-18cm

