

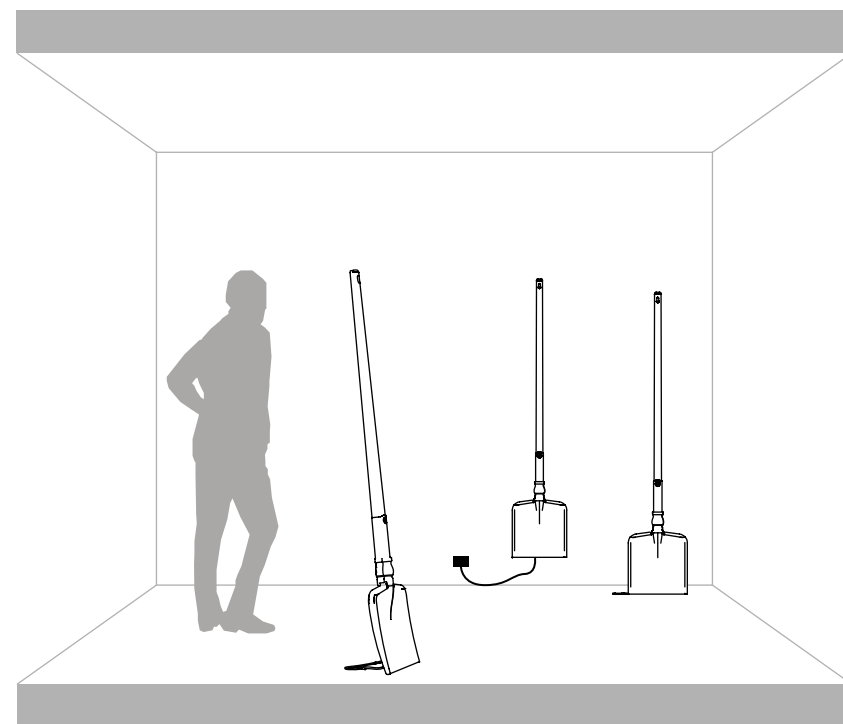
TOBIA



HP145 1F V11
HP145 2P V11
HP145 3R V11

AC145 5A INT
AC145 4A INT

110V
13W LED, 1430 lumen - 3000K, dimmable



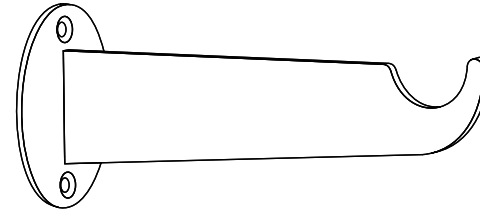
DRY LOCATION

Karman srl

Via A. Grandi, San Martino del piano, 61034 Fossombrone (PU), Italy - p.iva 02175640412 tel +39 0721 71 5042 r.a fax +39 0721 716640 - www.karmanitalia.it

C-01

1x AC145 4A INT

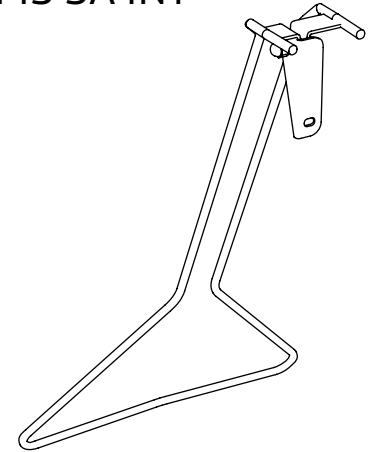


+

2x F

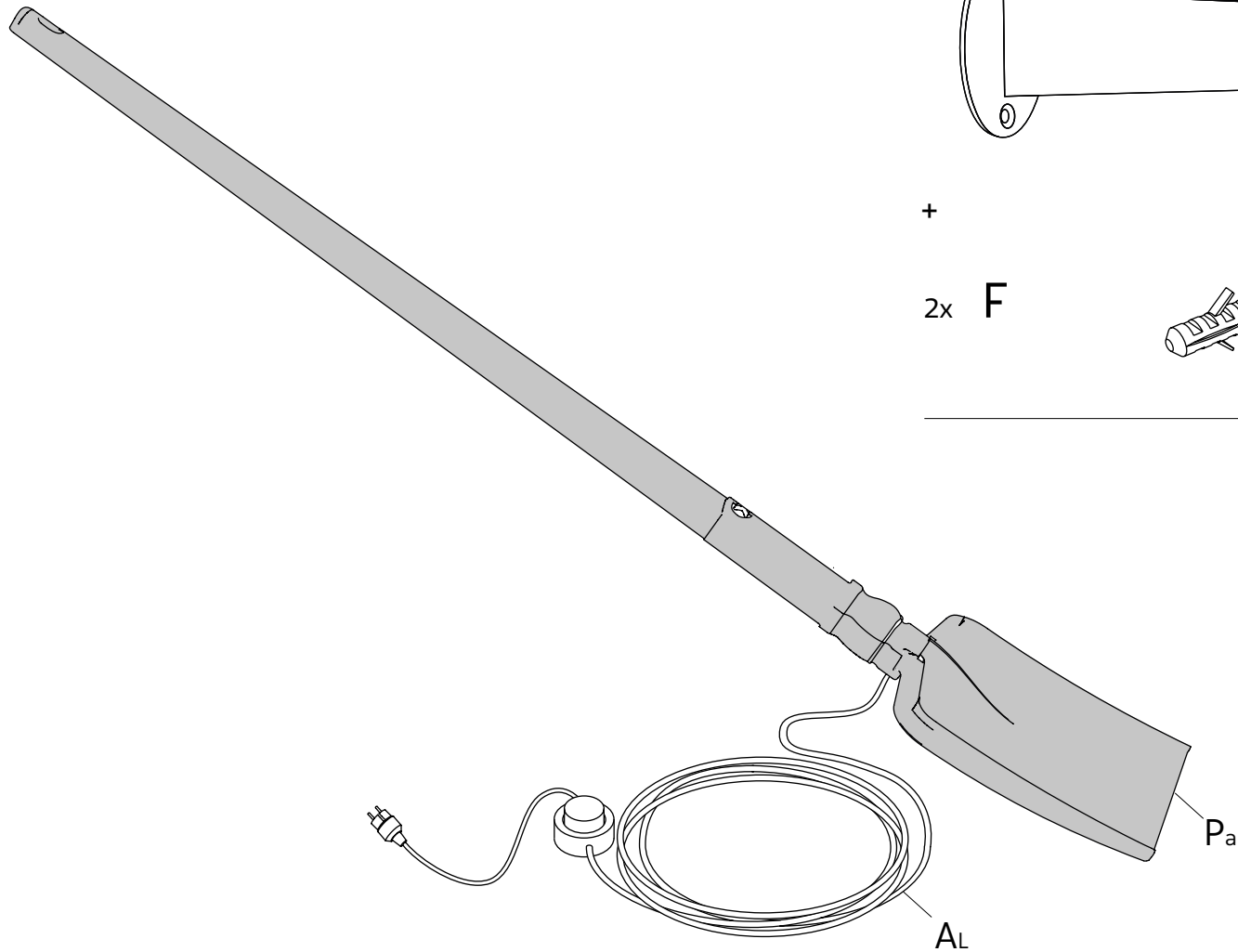


1x AC145 5A INT

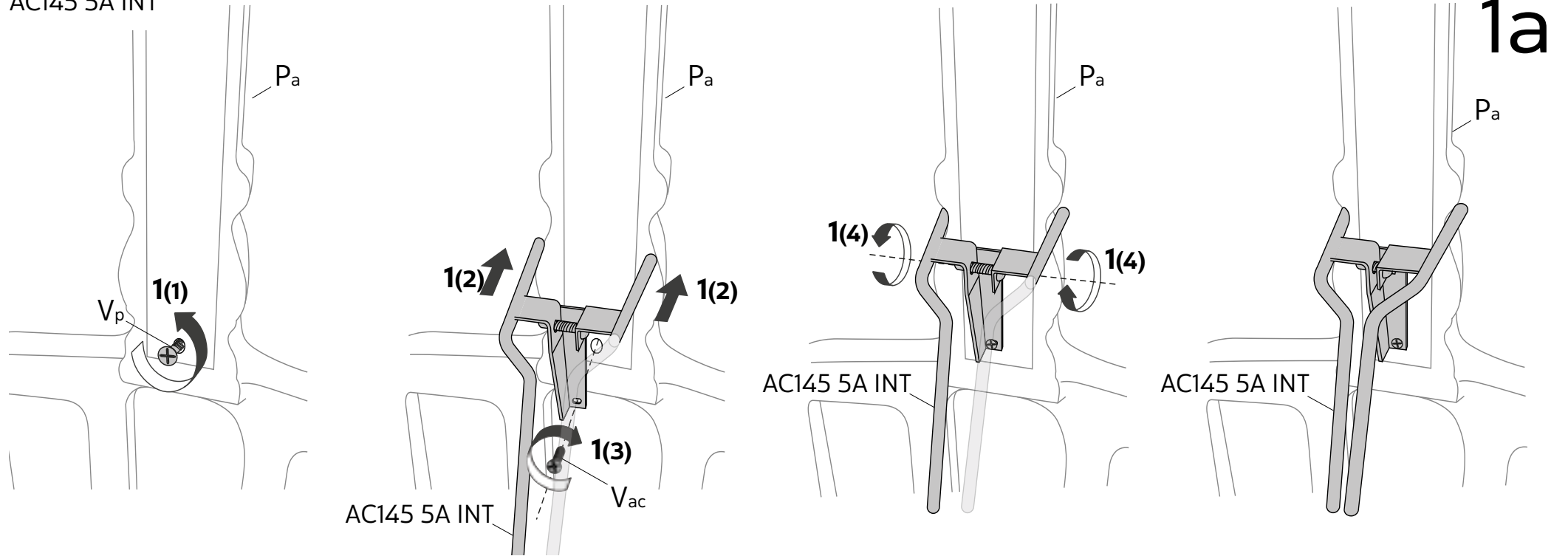


+

1x Vac

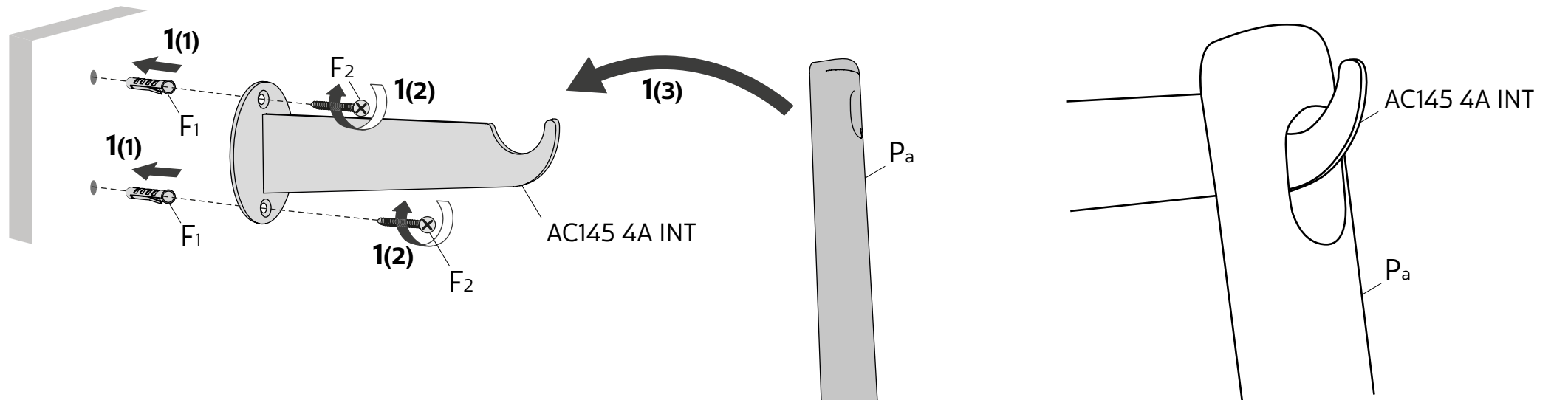


AC145 5A INT



1a

AC145 4A INT



1b

