

## CARE INSTRUCTIONS

### Use and care of your lamp.

You have just purchased an original handmade product by LZF. Your lamp is made out FSC® certified natural wood with our patented veneer finish Timberlite®. This treatment both protects and safeguards the wood veneer against breakages.

Depending on the type of lamp use a feather duster, soft cleaning cloth or damp cloth for cleaning. On our more delicate shades, like these made from wood strips, a feather duster or an air blower is preferable. In our more solid shades a damp cloth may be used. Clean only the flat surface of the veneer with the cloth, avoiding moisture contact along the edge of the veneer.

### T5 Dimming fluorescent tubes

To meet the electrical and photometric requirements, all fluorescent lamps have to be aged/operated for 100 hours according to IEC 60081 (double capped fluorescent lamps) and IEC 60901 (single capped fluorescent lamps). This is necessary to stabilise the lamp operation and get the emitter material on the electrodes into its final shape.

**Fluorescent lamps operated with dimmable electronic control gear must always be stabilised at full (100%) light output.** Intermittent operation at full light output is acceptable to reach the **100 hours** criteria.

Insufficient aging can result in **flickering** and **early blackening** which finally yields to reduced life of the lamps.

### Precautions

Avoid direct sunlight or strong indirect sunlight and moisture on the lamp. Unplug the lamp before cleaning or changing the light bulb. Servicing of the electrical installation should only be performed by qualified electrical personnel by LZF.



SET UP  
USA & CANADA

SPRO SM DIM UL  
DIMMABLE



[www.lzf-lamps.com](http://www.lzf-lamps.com)  
[contacts@lzf-lamps.com](mailto:contacts@lzf-lamps.com)

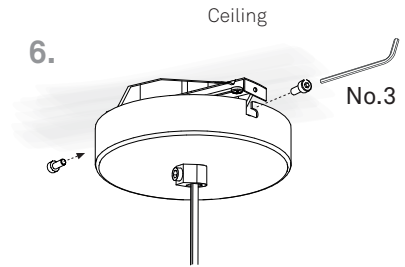
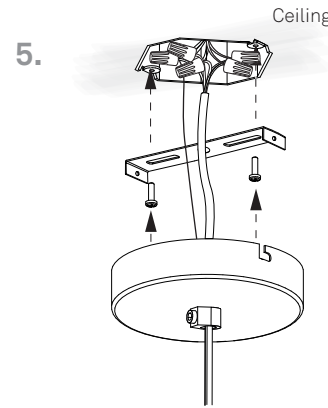
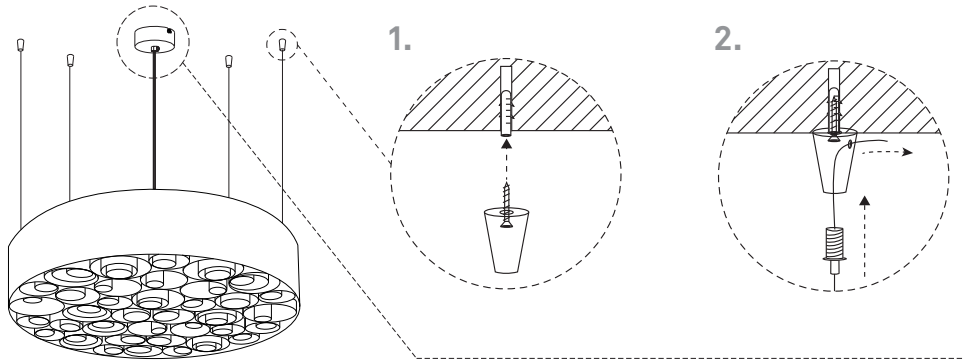
© Luziferlamps, S.L. Valencia, Spain. 2015. All rights reserved.

REV. 05-2015



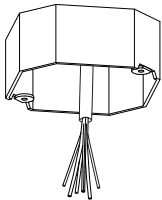


**Ceiling mount.** The lamp can only be installed in ceilings able to hold the lamp weight.

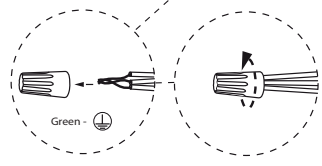
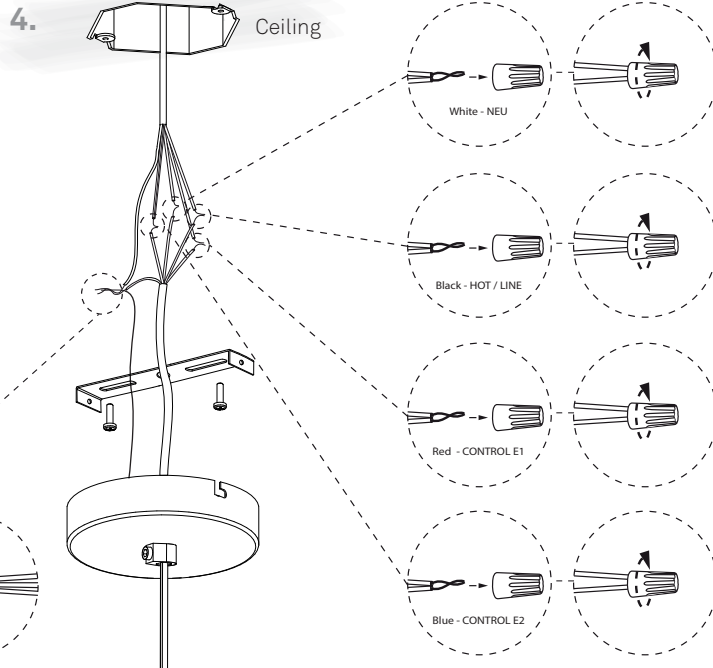


**Lamp Mount**

3. Junction box



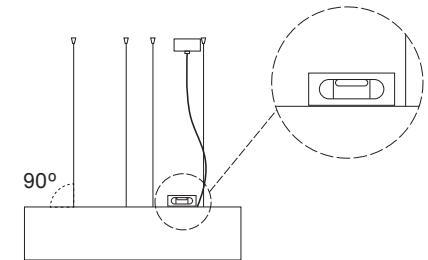
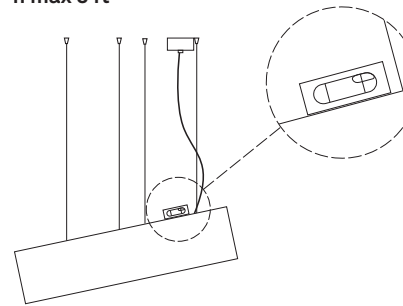
- White - NEU
- Black - HOT / LINE
- Green - ⊕
- Red - CONTROL E1
- Blue - CONTROL E2



ATTENTION! 3 WIRE

**Lamp leveling.**

Steel Cable  
h min 8"  
h max 8 ft



**Control Options**

DIMMABLE (Ecosystem® digital link)  
LUTRON Ecosystem Ballast



DIMMABLE 0-10v (Analog Dimming)  
FULHAM 0-10v Ballast

