

REGINA ANDREW

DETROIT

Figure 1

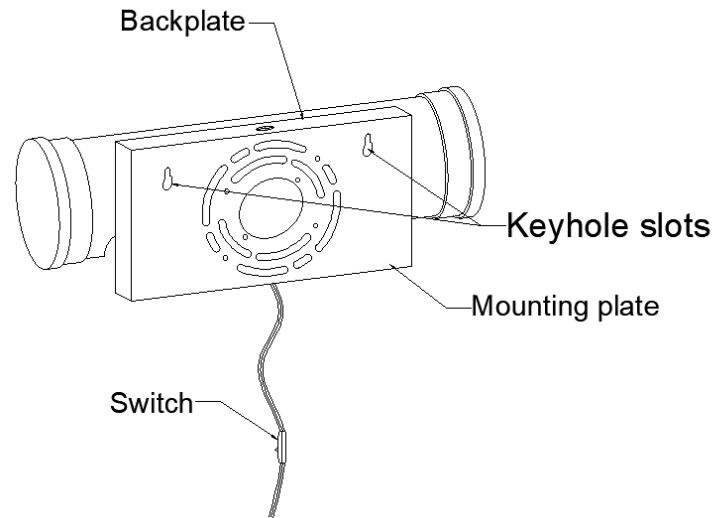
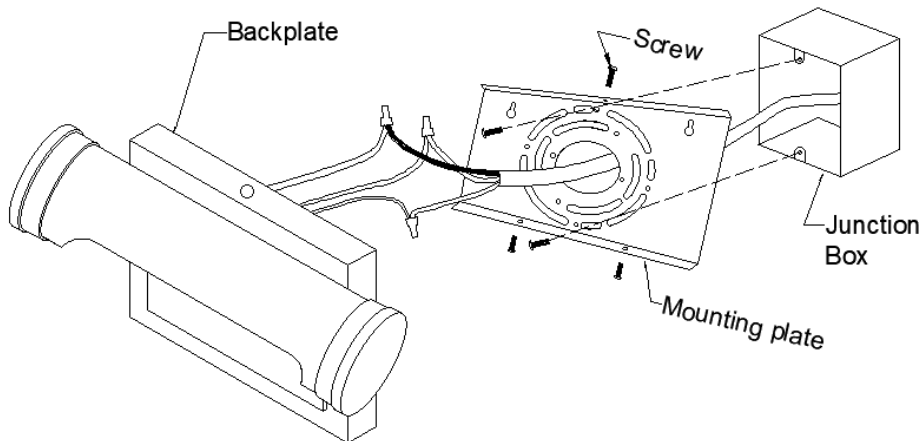


Figure 2



ITEM NO: 15-1176

Tate Picture Light Small

These instructions are provided for your safety. Read completely before installing this fixture. Switch off the main electrical supply from the main fuse box/circuit breaker before installation. Carefully inspect item before installation.

ASSEMBLY INSTRUCTIONS

MOUNTING INSTRUCTION:

A. FOR PORTABLE MOUNT (Figure 1)

1. Draw a 6" horizontal line on the wall, centered where you want the lamp.
2. For sheet rock where there are no studs in the wall, screw anchors into the wall at the end points of the line. Otherwise, the screws will suffice.
3. Attach lamp onto the mounting screws using the keyhole slots provided in the backplate.

B. FOR WIRING DIRECTLY INTO JUNCTION BOX (Figure 2)

1. Remove mounting plate from lamp back plate by removing the attached screws on the back plate and attach the mounting plate to the junction box. Adjust the mounting plate so that the tabs on the side are level.
2. Connect the wires of lamp to the wires of junction box; a. neutral junction-box-wire to white lamp wire; b. hot junction-box-wire to black lamp wire; c. secure wires with the included wire nuts. d. wrap bare ground junction-box-wire to green screw on mounting plate.
3. Install lamp to the mounting plate using screws provided.

C. BULB REPLACEMENT

1. Insert appropriately rated bulb into the socket

CLEANING AND CARE:

Use a soft cloth only, do not use any chemical or abrasive cleaners.

IMPORTANT SAFETY INSTRUCTIONS

This portable sconce has a polarized plug (one blade is wider than the other) as a safety feature to reduce the risk of electric shock. This plug will fit in a polarized outlet only one-way. If it still does not fit, contact a qualified electrician. Never use with an extension cord unless plug can be fully inserted. Do not alter the plug.

WE STRONGLY RECOMMEND INSTALLATION BY A LICENSED ELECTRICIAN

Made in China