



GENERAL PRODUCT INFORMATION:

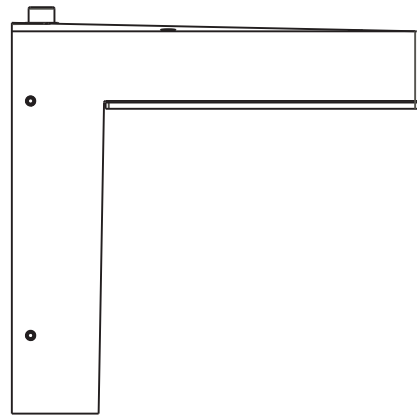
These fixtures are intended to be installed utilizing NEC compliant junction boxes.



This product is suitable for wet locations.

This product can be dimmed with a 0-10V dimmer.

This instruction shows a typical installation.



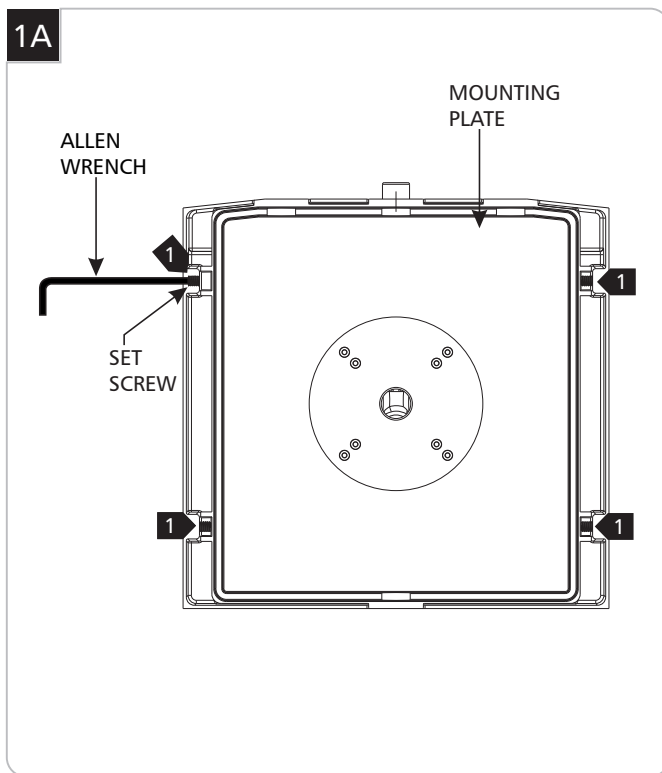
CAUTION - RISK OF FIRE

This product must be installed in accordance with the applicable installation code by a person familiar with the construction and operation of the product and the hazards involved.

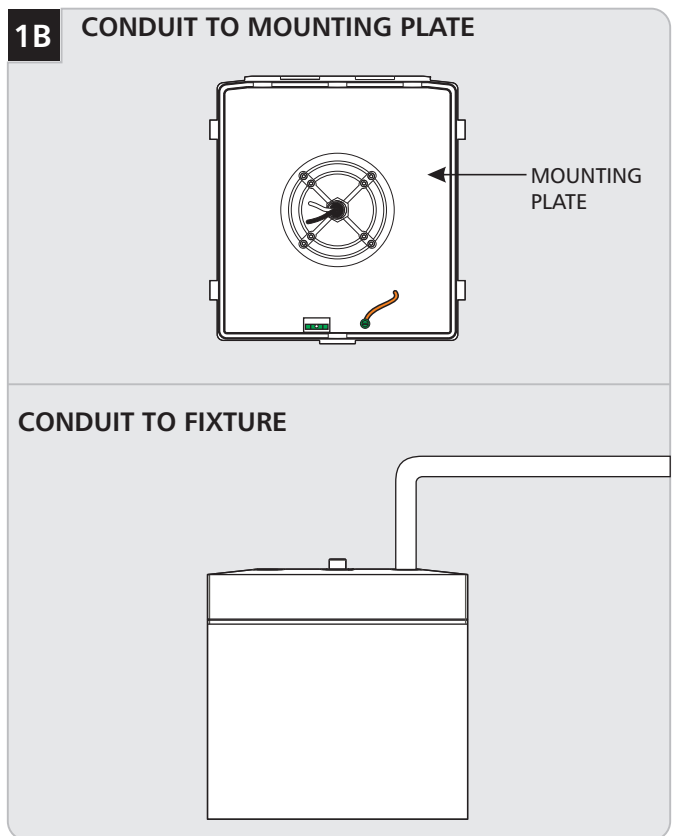
Use minimum 90°C supply conductors.

SAVE THESE INSTRUCTIONS!

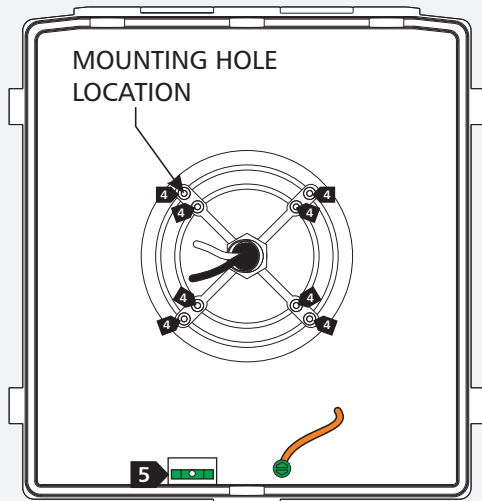
Install the Fixture



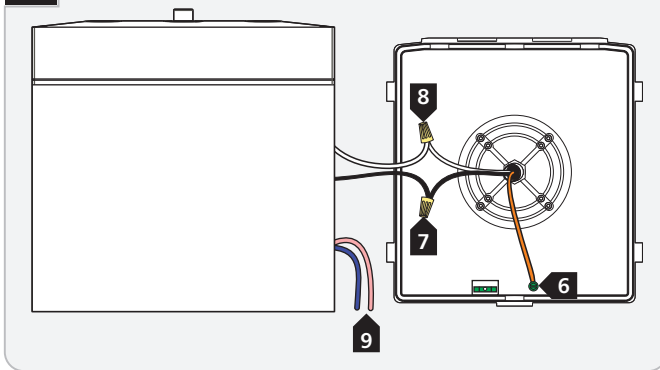
- 1 With the provided Allen wrench, back out (do not fully remove) the set screws on both sides of the fixture.
- 2 Remove the mounting plate from the back of the fixture.



- 3 Bring conduit and power lines to the fixture location: conduit may be attached by either the center hole in mounting plate or the any of the plugs on top of the fixture. If using the top plugs, unscrew to remove.

1C

- 4 Choose and drill out the designated mounting holes that will be used to mount the mounting plate.
- 5 Use the built-in level to ensure the mounting plate is level and secure it to the wall using the appropriate hardware.

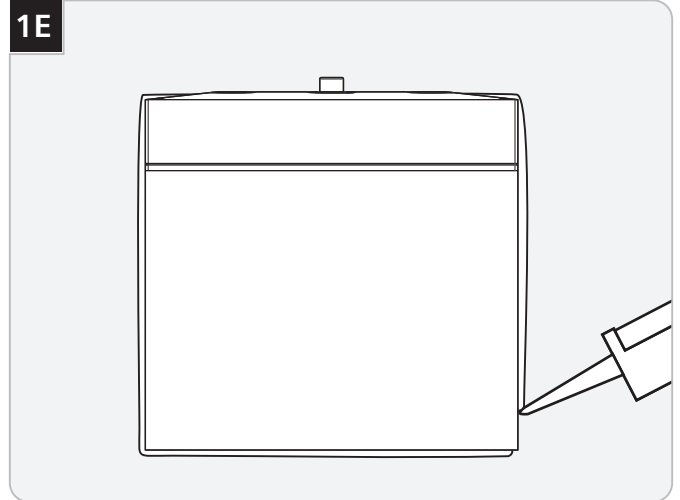
1D

- 6 Connect the mounting plate ground wire to a suitable ground in accordance with local electrical codes.
- 7 Connect the black fixture wire to the hot power line wire with a wire nut.
- 8 Connect the white fixture wire to the neutral power line wire with a wire nut.
- 9 Use the purple and pink/gray dimming wires for 0-10v dimming application (if not in use, make sure to cap these wires off).
- 10 Properly place all wires and wire nut connections into the fixture.
- 11 Mount the fixture by installing it back onto the mounting plate and tightening the set screws (reversal of figure 1A).

Warning: The purple and pink/gray wires are only used for 0-10v dimming. For all other applications, do not connect the gray and purple wires.

Note for In-Line Fuse equipped fixtures: in the case that the fixture is not operating correctly, make sure to check the fuse.

Note for Photocell equipped fixtures: at initial power up, the photocell must calibrate which will cause the fixture to cycle on/off for a moment.

1E

- 12 For wet locations, caulk around the base with waterproof construction sealant.