

# Taag 6 Wall

700OWTAG\_6\_ 1.2



### GENERAL PRODUCT INFORMATION:

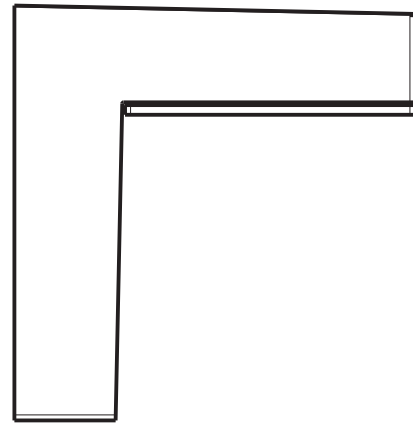
These fixtures are intended to be installed utilizing NEC compliant junction boxes.



This product is suitable for wet locations.

This product can be dimmed with most ELV, TRIAC, or 0-10V dimmers depending on wiring configuration.

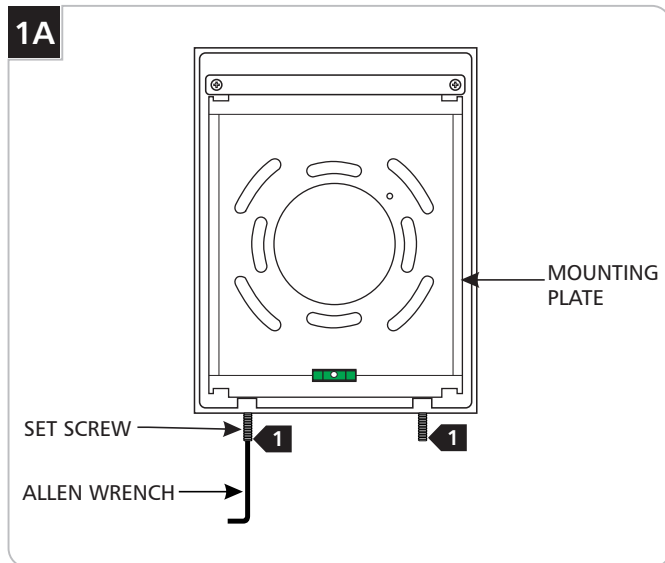
This instruction shows a typical installation.



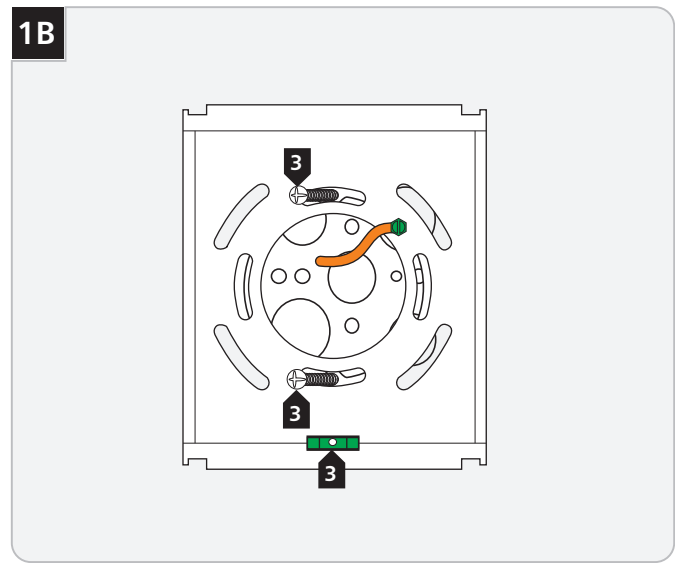
**CAUTION - RISK OF FIRE**  
 This product must be installed in accordance with the applicable installation code by a person familiar with the construction and operation of the product and the hazards involved.  
**Use minimum 90°C supply conductors.**

**SAVE THESE INSTRUCTIONS!**

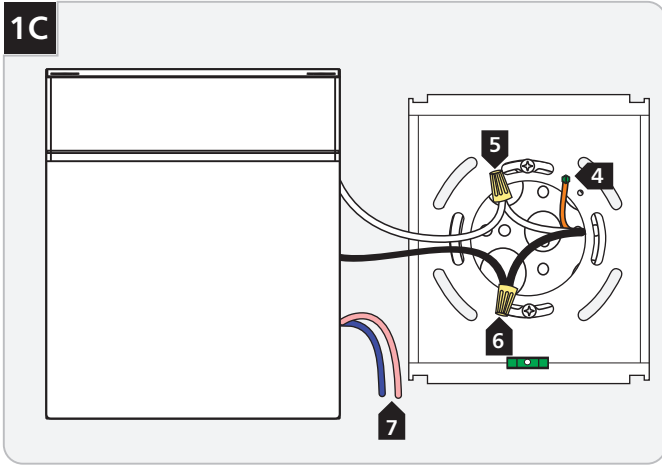
## Install the Fixture



- 1** With the Allen wrench provided, back out (do not fully remove) the set screws at the base of the fixture.
- 2** Remove the mounting plate from the back of the fixture.



- 3** Use the built-in level to ensure the mounting plate is level and secure it to the electrical box using the two provided #8-32 screws.

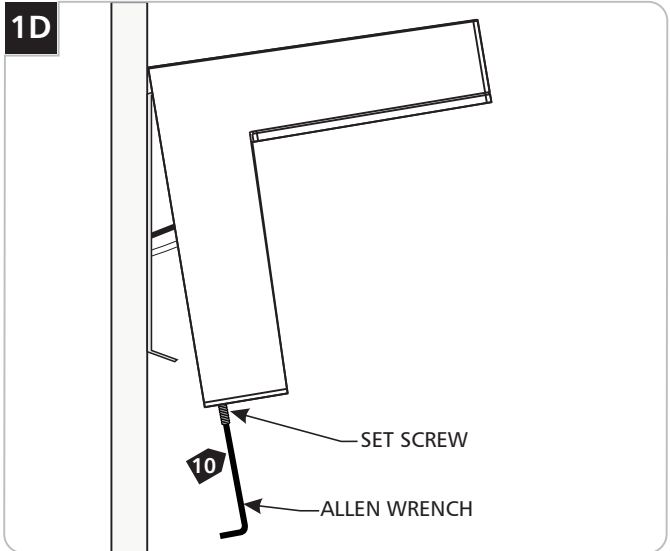


- 4 Connect the backplate wire to a suitable ground in accordance with local electrical codes.
- 5 Connect the white driver wire to the neutral power line.
- 6 Connect the black driver wire to the hot power line.
- 7 Use the purple and pink/gray dimming wires for 0-10v dimming application (if not in use, make sure to cap these wires off).

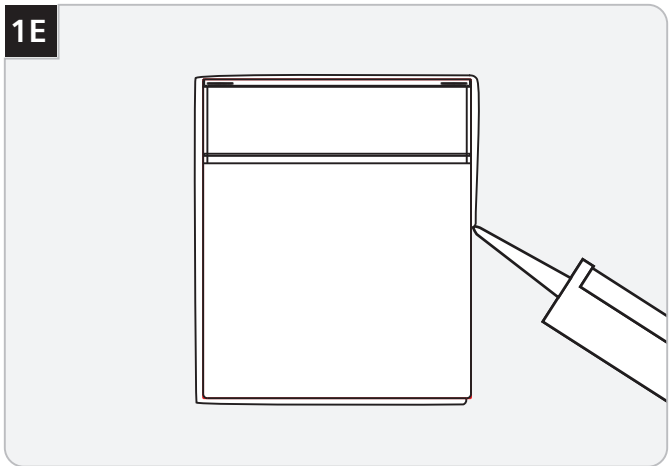
**Warning:** The purple and pink/gray wires are only used for 0-10v dimming. For all other applications, do not connect the purple and pink/gray wires.

**Note for In-Line Fuse equipped fixtures:** in the case that the fixture is not operating correctly, make sure to check the fuse.

**Note for Photocell equipped fixtures:** at initial power up, the photocell must calibrate which will cause the fixture to cycle on/off for a moment.



- 8 Properly place the wires and wire nut connections into the fixture.
- 9 Hook the top of the fixture to the top of the mounting plate and swing the bottom of the fixture toward the plate until it is flush with the wall.
- 10 Tighten the set screws at the bottom of the fixture.



- 11 For wet locations, caulk around the base with waterproof construction sealant.

**TECH LIGHTING**  
 7400 Linder Ave., Skokie, IL 60077  
 T 847.410.4400 | F 847.410.4500  
 www.techlighting.com