

Plural

700PLU_ 1.0

 **TECH LIGHTING®**

PLURAL

GENERAL PRODUCT INFORMATION:



This product is suitable for indoor locations.

This product can be dimmed with a standard electronic dimmer.

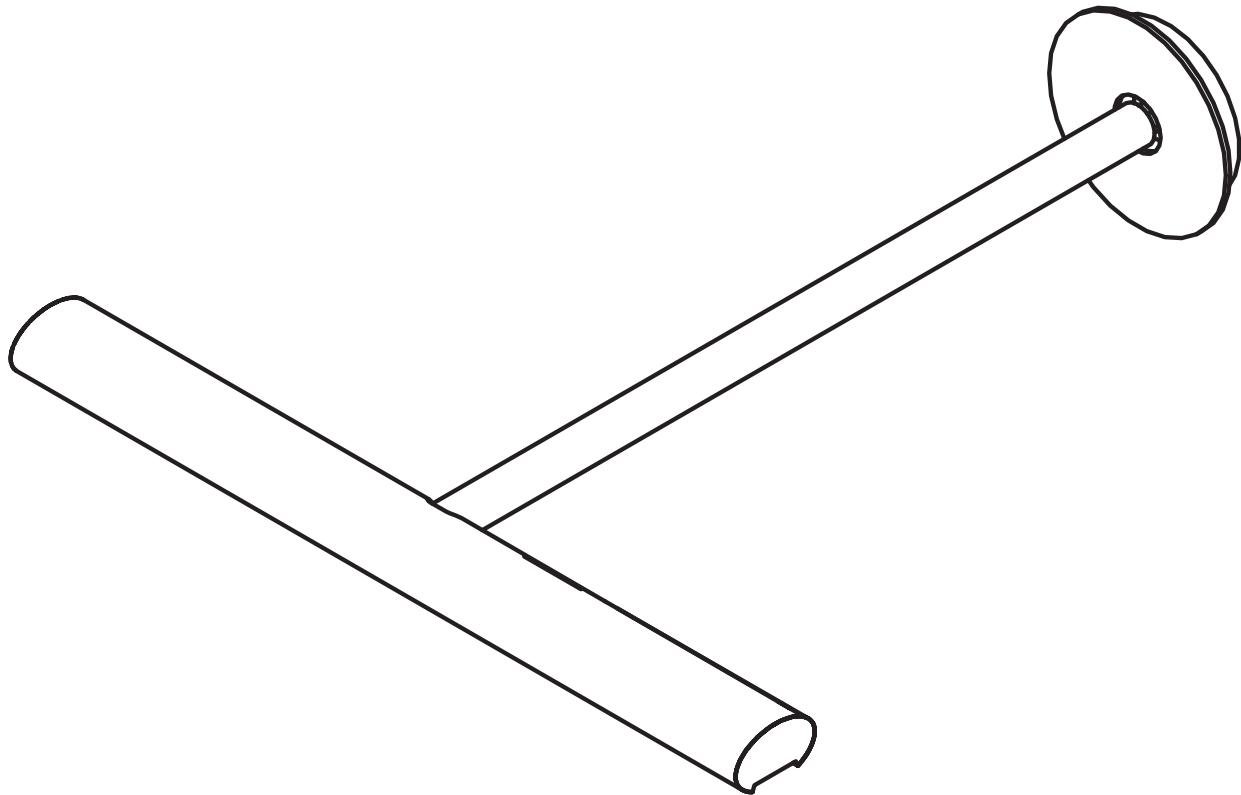
This instruction shows a typical installation.

CAUTION - RISK OF FIRE

This product must be installed in accordance with the applicable installation code by a person familiar with the construction and operation of the product and the hazards involved.

Use minimum 90°C supply conductors.

SAVE THESE INSTRUCTIONS!

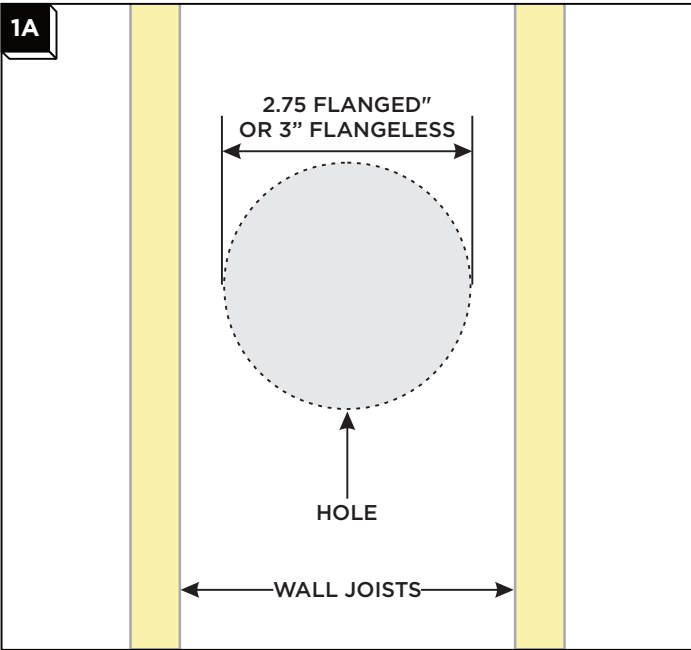


 **TECH LIGHTING®**

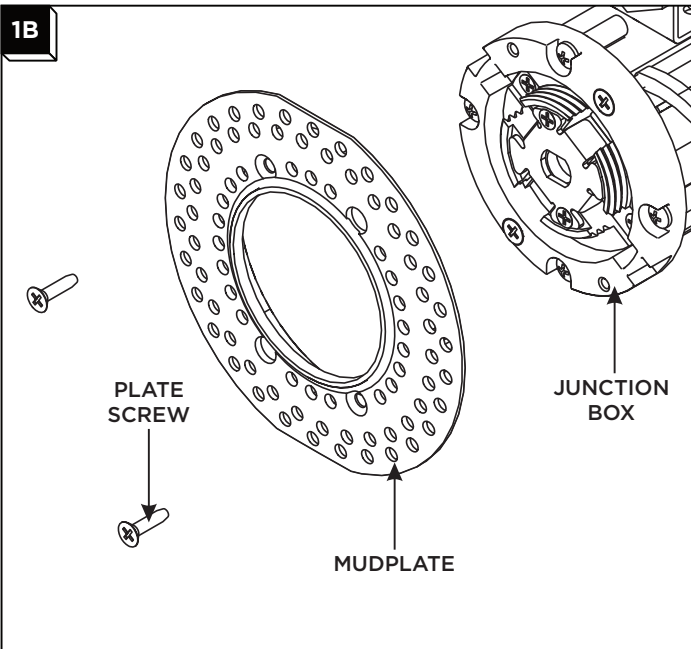
7400 Linder Ave., Skokie, IL 60077
T 847.410.4400 | F 847.410.4500
www.techlighting.com

Install the Plural Remodel

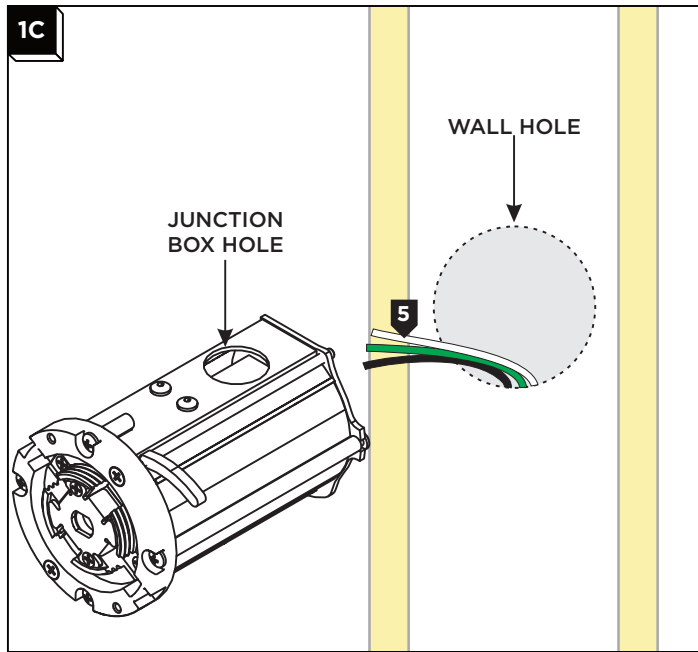
For new construction installation, skip to section 2A.



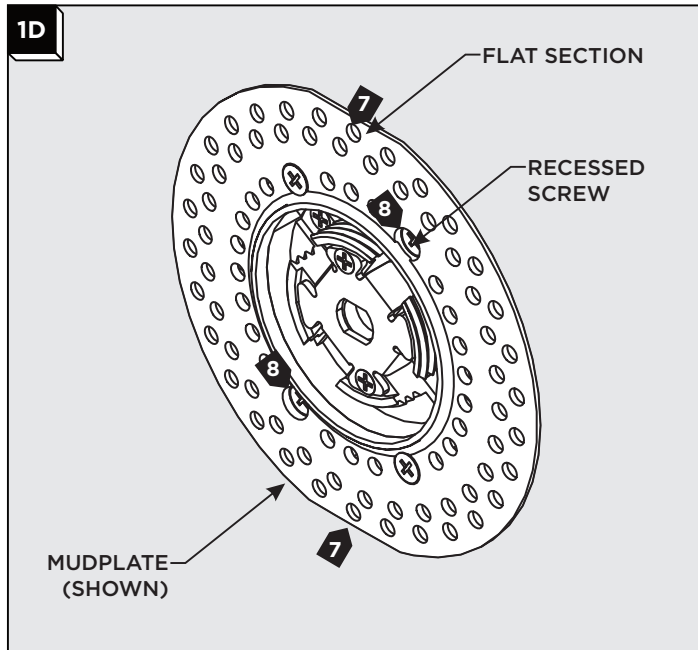
- 1** Identify a desired mounting location of the fixture that is not directly in front of a wall joist.
- 2** Cut a 2.75" (flanged) or 3" (flangeless) hole into the wall with a circular saw or other applicable tool, using the supplied template.



- 3** If a flanged version is being used, remove the mud plate from the junction box by removing the plate screws.
- 4** Attach the goof plate to the junction box using the same plate screws removed in step 3.

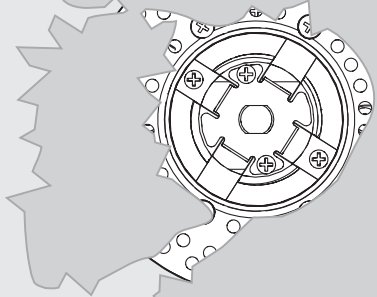


- 5** Run the wires for line voltage, ground, and dimming (if applicable) through the hole in the wall and into the hole on the top of the junction box.



- 6** Insert the junction box into the hole until the mud plate (shown) or goof plate is flush with the wall. The wing screws may need to be folded back against the junction box to fit.
- 7** Verify that the goof or mud plate are leveled. Use flat sections to ensure the junction box is mounted parallel with the ground.
- 8** Using a power screwdriver, turn the two recessed screw heads on the j-box clockwise, one at a time, until you feel that the wall is firmly gripped on the interior side.

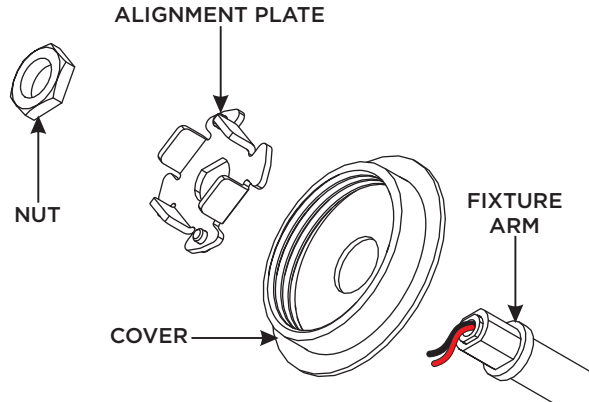
1E



9 If satisfied with the position, the mud plate can now be mudded.

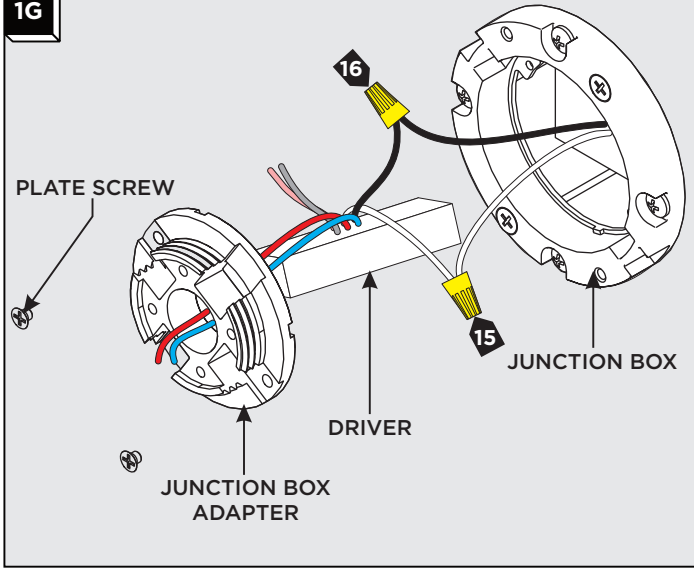
NOTE: If using the flanged version with the same finish, this step can be skipped.

1F

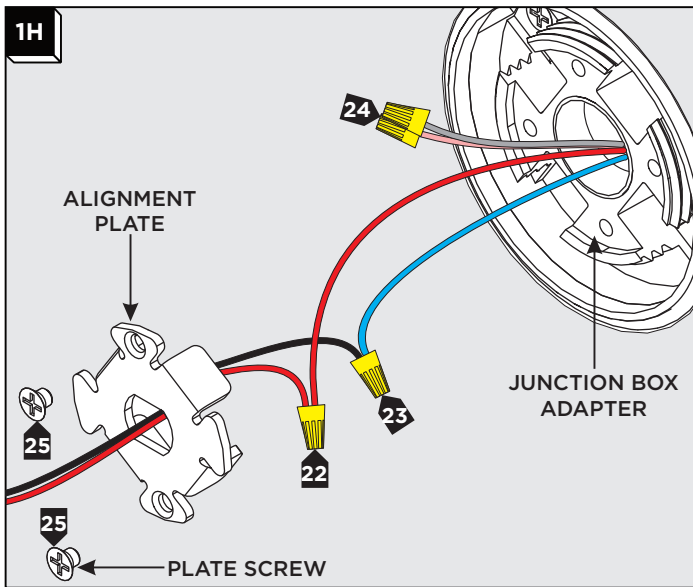


- 10 Unscrew the nut on the alignment plate and remove the flangeless canopy cover on the fixture arm.
- 11 Insert the fixture arm through the flanged or matte white flangeless cover.
- 12 Reattach the alignment plate to the extension with its nut.

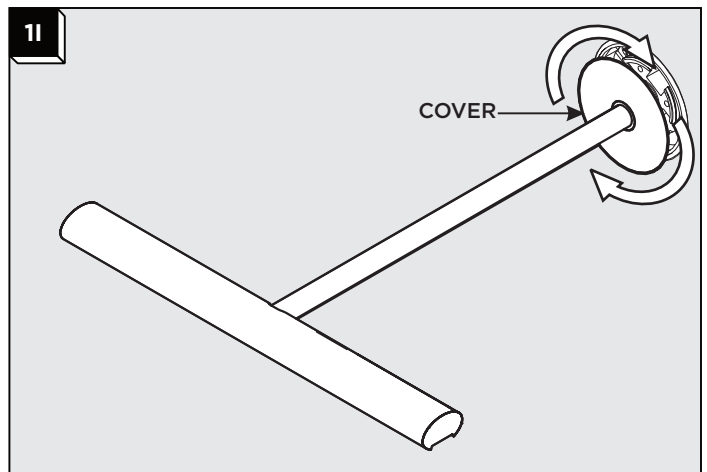
1G



- 13 Remove the junction box adapter by removing the two adapter screws.
- 14 Connect the fixture to a suitable ground in accordance with local electrical code.
- 15 Connect the white driver wire to the neutral power line using a connector.
- 16 Connect the black driver wire to the hot power line using a connector.
- 17 Insert the driver and wire nut connections into the junction box.
- 18 Reinstall the junction box adapter using the two adapter screws.

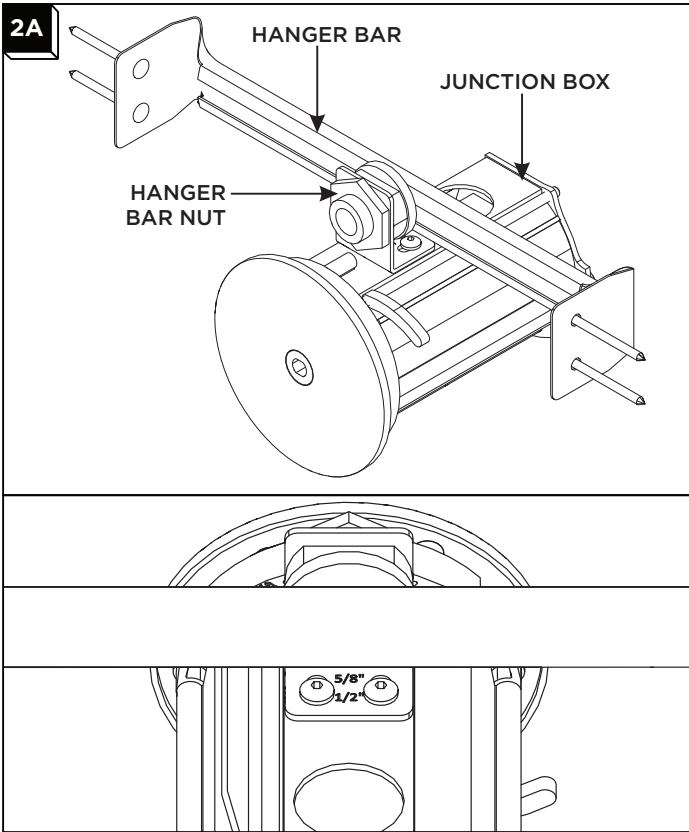


- 21 Feed wires from the fixture through the alignment plate.
- 22 Connect the red fixture wire to the red driver wire using a connector.
- 23 Connect the black fixture wire to the blue driver wire using a connector.
- 24 Connect the pink/purple and gray wire to a compatible dimmer. If not using dimming, make sure to cap these wires off.
- 25 Neatly tuck the wire connections into the junction box and install the alignment plate to the junction box adapter using the two plate screws.

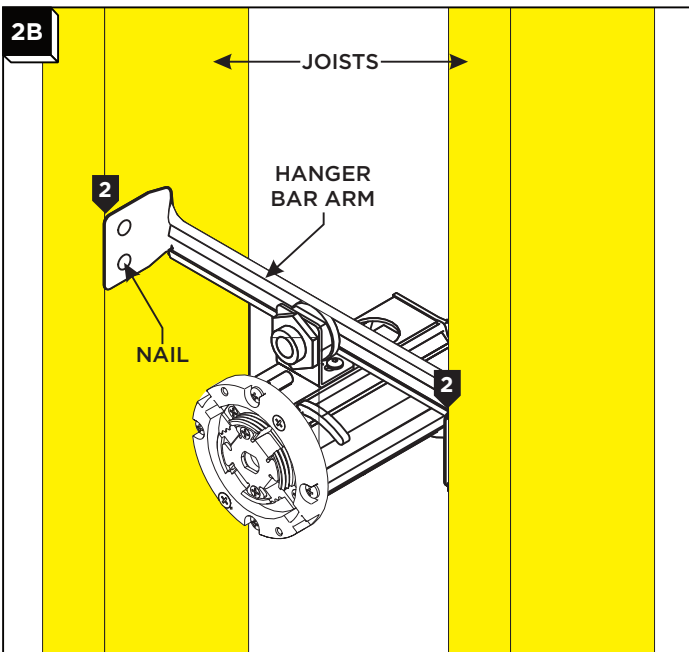


- 26 Screw the cover until secured and flush with wall
- 27 Skip to step 3A.

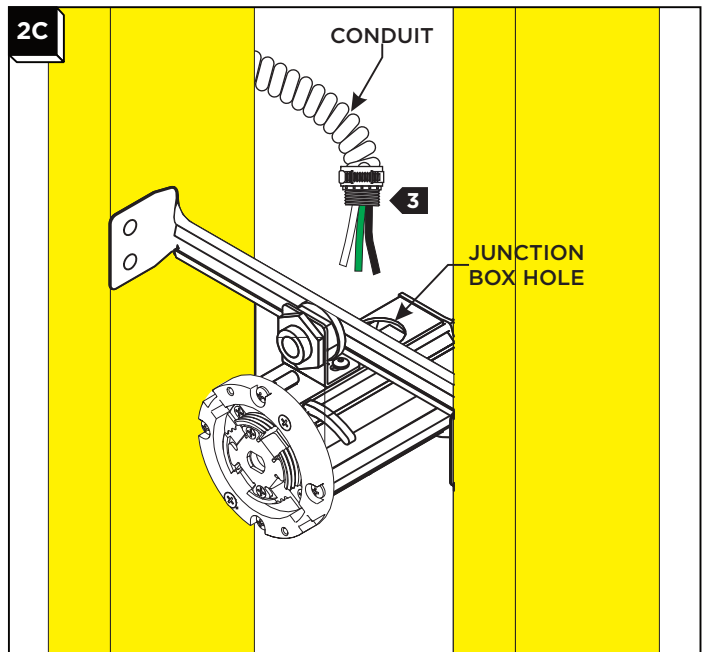
Install the Plural New Construction



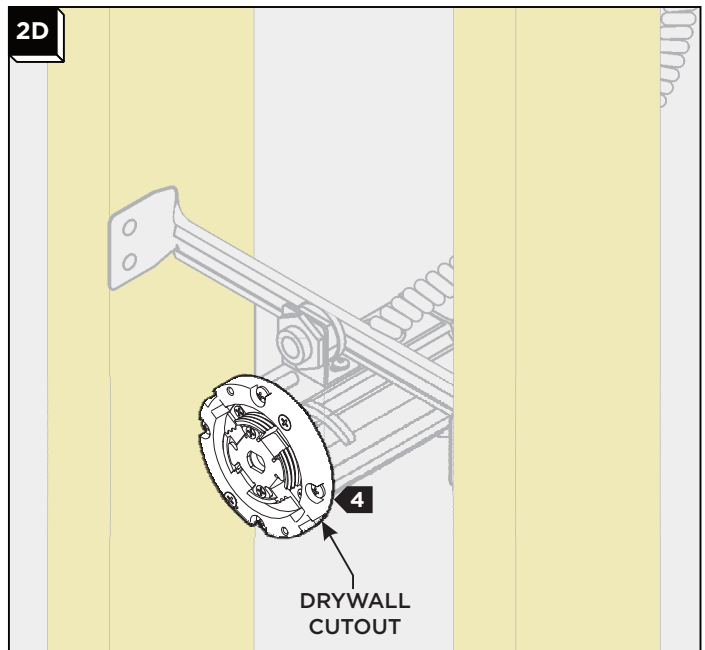
- 1** Use the markings on the bracket according to your wall thickness. Choose between 0.5" or 0.625" thick walls. Place the hanger bar on the bracket and secure the together using the hanger bar nut.



- 2** Extend hanger bar arms to the left and right joists and nail into place.

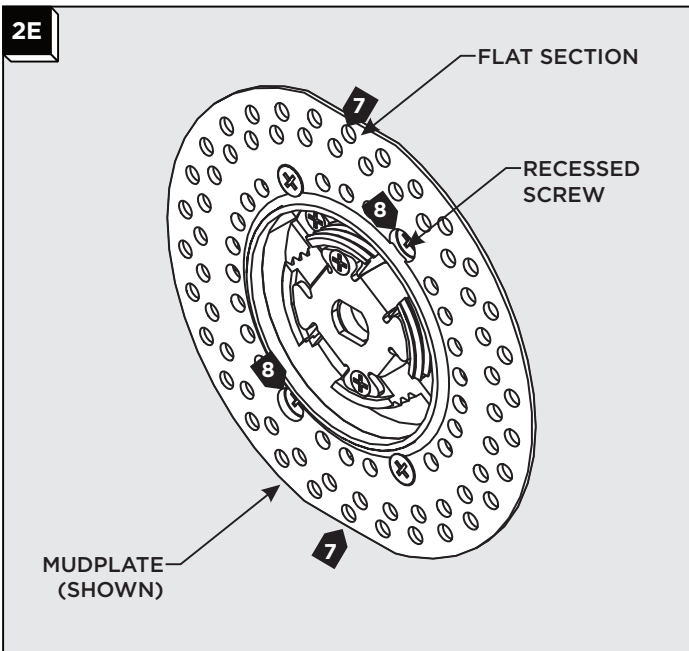


- 3** Attach conduit to either the top hole or the back plate of the junction box. Run wires for line voltage, ground, and dimming (if applicable) into the junction box.



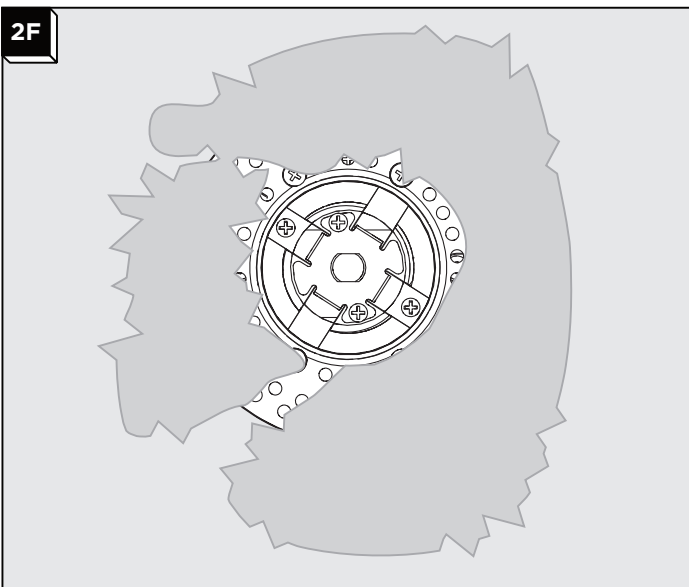
- 4** Install drywall to the joists and cut either the 2.75" diameter or 3" diameter size hole depending on the style of cover being used.

2E



- 5 Insert the junction box into the hole until the mud plate (shown) or goof plate is flush with the wall. The wing screws may need to be folded back against the junction box to fit.
- 6 Verify that the goof or mud plate are leveled. Use flat sections to ensure the junction box is mounted parallel with the ground.
- 7 Using a power screwdriver, turn the two recessed screw heads on the j-box clockwise, one at a time, until you feel that the wall is firmly gripped on the interior side.

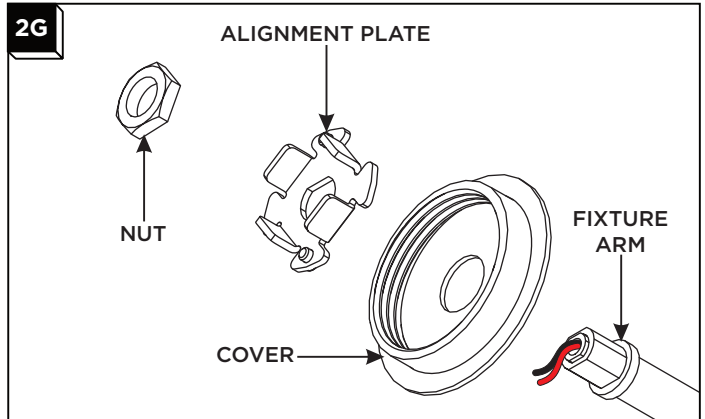
2F



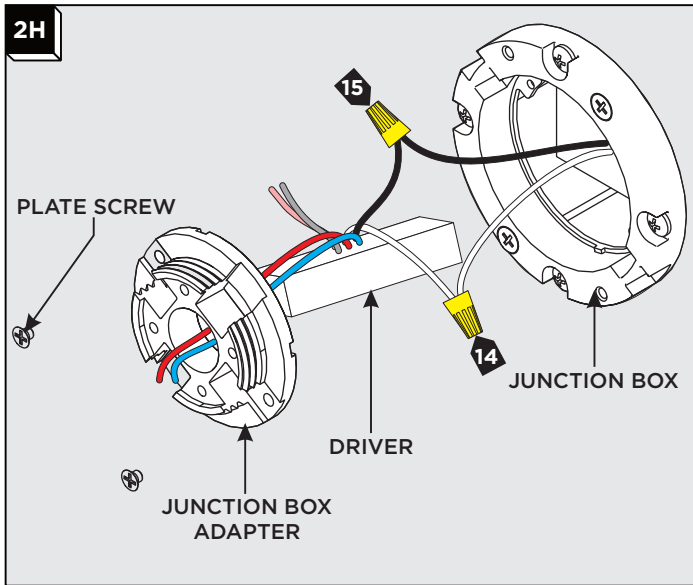
- 8 If satisfied with the position, the mud plate can now be mudded.

NOTE: If using the flanged version with the same finish, this step can be skipped.

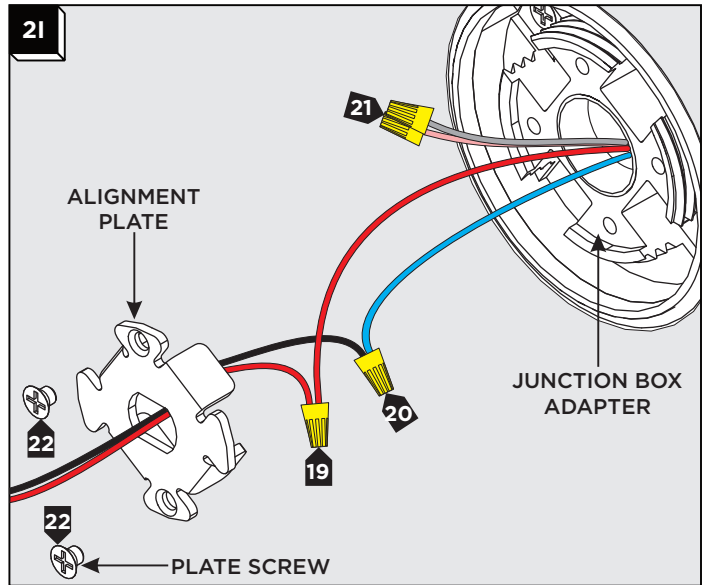
2G



- 9 Unscrew the nut on the alignment plate and remove the flangeless canopy cover on the fixture arm.
- 10 Insert the fixture arm through the flanged or matte white flangeless cover.
- 11 Reattach the alignment plate to the extension with its nut.



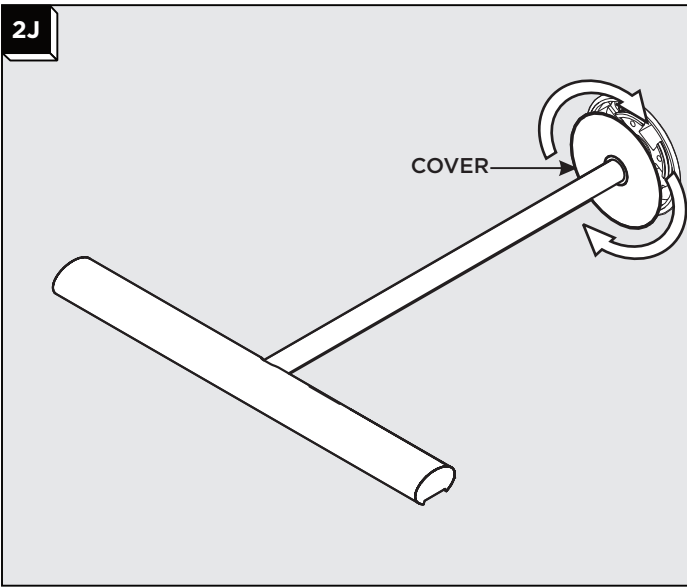
- 12** Remove the junction box adapter by removing the two adapter screws.
- 13** Connect the fixture to a suitable ground in accordance with local electrical code.
- 14** Connect the white driver wire to the neutral power line using a connector.
- 15** Connect the black driver wire to the hot power line using a connector.
- 16** Insert the driver and wire nut connections into the junction box.
- 17** Reinstall the junction box adapter using the two adapter screws.



- 18** Feed wires from the fixture through the alignment plate.
- 19** Connect the red fixture wire to the red driver wire using a connector.
- 20** Connect the black fixture wire to the blue driver wire using a connector.
- 21** Connect the pink/purple and gray wire to a compatible dimmer. If not using dimming, make sure to cap these wires off.
- 22** Neatly tuck the wire connections into the junction box and install the alignment plate to the junction box adapter using the two plate screws.

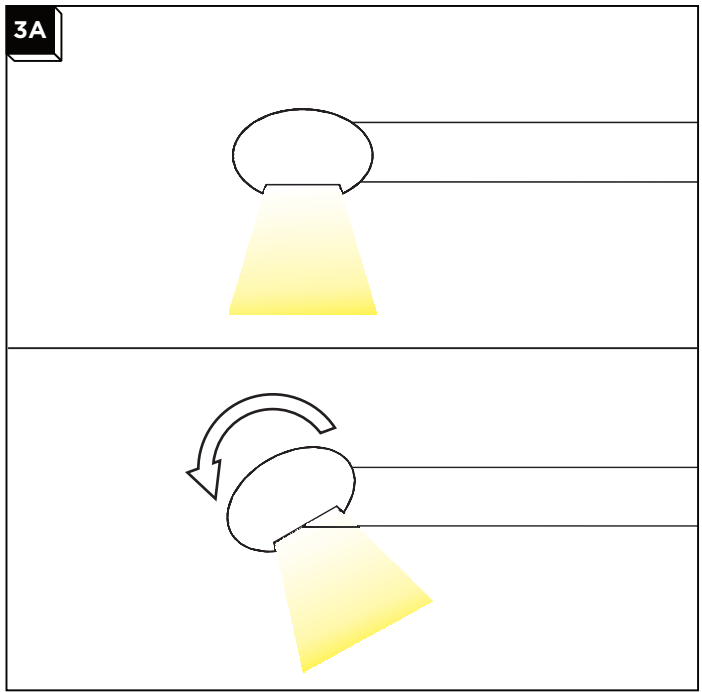
Adjust the Light

2J



23 Screw the cover until secured and flush with wall

3A



1 Carefully adjust the light to the desired direction. **Do not exceed # degrees.**