

# Wythe Small and Medium Chandelier

700WYT6\_, 700WYT6M\_ 1.0



CHANDELIER

### GENERAL PRODUCT INFORMATION:



This product is suitable for indoor locations.

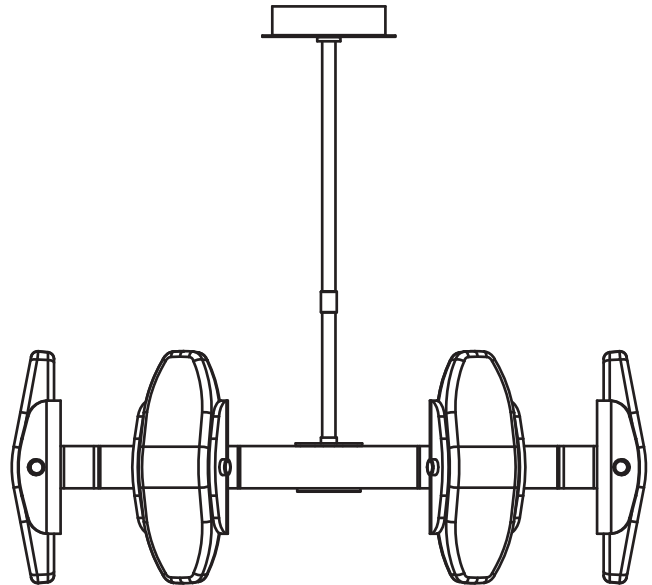
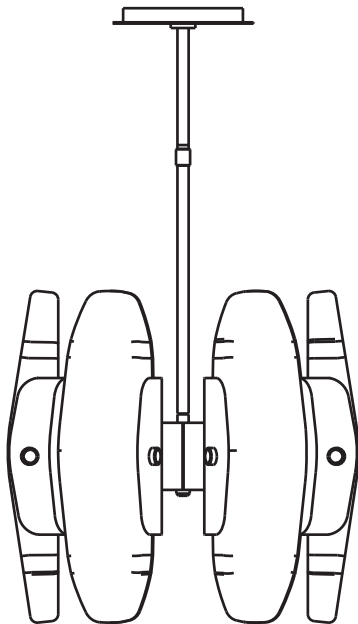
This product can be dimmed with most LED compatible ELV and Triac dimmers.

This instruction shows a typical installation.

**CAUTION - RISK OF FIRE**  
This product must be installed in accordance with the applicable installation code by a person familiar with the construction and operation of the product and the hazards involved.  
**Use minimum 90°C supply conductors.**

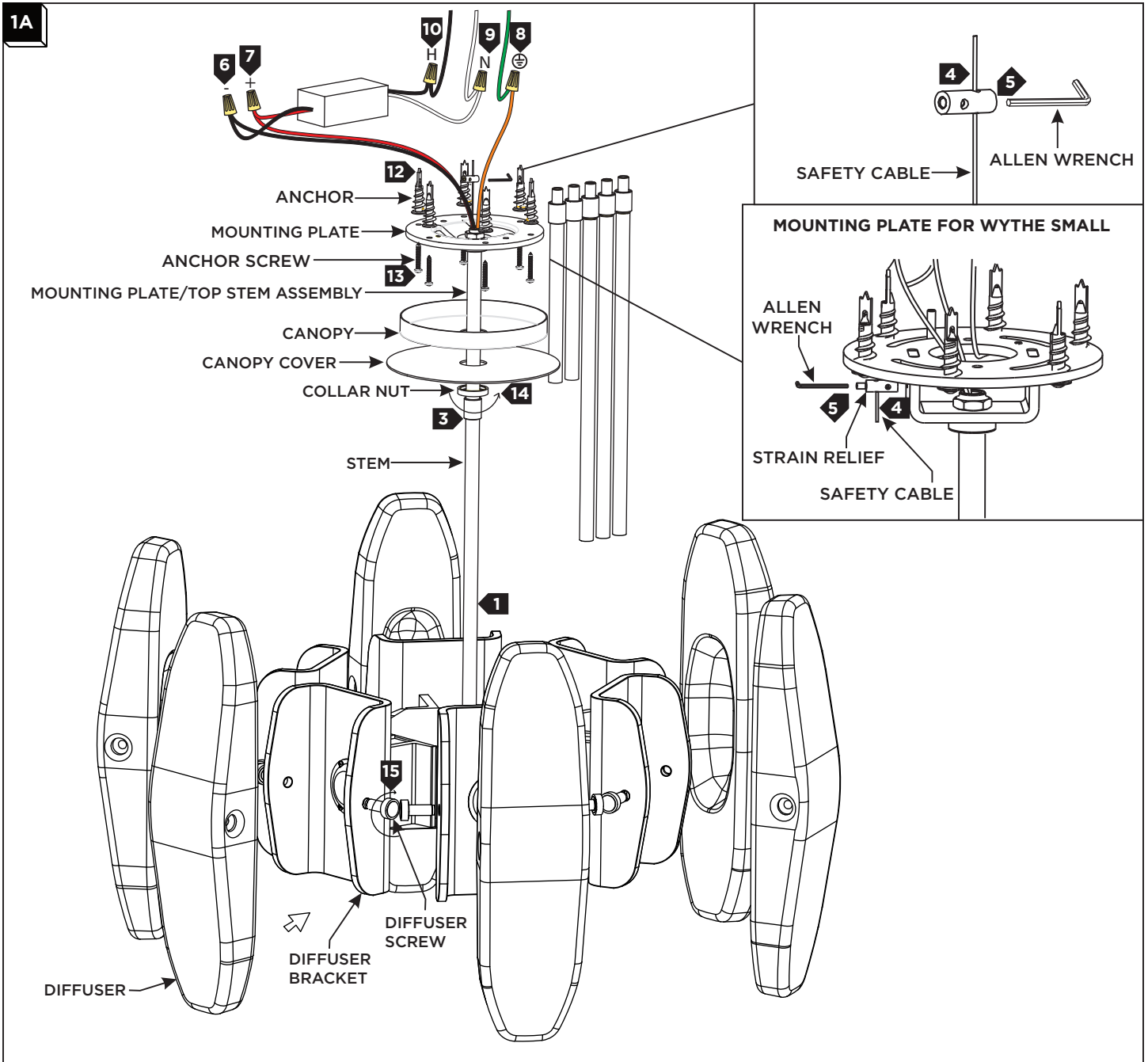
**2 PERSON INSTALL**

**SAVE THESE INSTRUCTIONS!**



7400 Linder Ave., Skokie, IL 60077  
T 847.410.4400 | F 847.410.4500  
www.techlighting.com

# Install the Fixture



- 1** Assemble the stems to the desired height (save the mounting plate/stem assembly for the next step), feed the fixture wires and the safety cable through the stem assembly and screw them onto the fixture.
- 2** Slide the canopy, canopy cover, then the collar nut onto the mounting plate/top stem assembly.
- 3** Feed the fixture wires and the safety cable through the mounting plate/stem assembly, then screw it to the fixture/stem assembly.
- 4** Insert the safety cable into the strain relief and slide it down to the mounting plate.
- 5** Tighten the set screw on the strain relief with the provided Allen wrench.
- 6** Connect the negative (-) fixture wire to the negative (-) output driver wire with a wire nut.
- 7** Connect the positive (+) fixture wire to the positive (+) output driver wire with a wire nut.  
An assistant will be needed to hold the fixture up for the following steps.
- 8** Connect the fixture to a suitable ground in accordance with local electrical codes.
- 9** Connect the white input driver wire to the neutral power line wire with a wire nut.
- 10** Connect the black input driver wire to the hot power line wire with a wire nut.
- 11** Temporarily place the fixture centered over the electrical box at the desired position and mark the anchor hole locations.
- 12** Move the fixture out of the way and install the anchors by tapping them in to the drywall then screw them the rest of the way in with a screw driver.
- 13** Neatly place the driver, wire, and wire nut connections back inside the electrical box and secure the mounting plate with the anchor screws.
- 14** Slide the canopy up over the mounting plate, followed by the canopy cover, and secure them in place with the collar nut.
- 15** Install a diffuser onto a diffuser bracket and secure it in place with a diffuser screw on each side. Repeat for the rest of the diffusers.

# Wythe Large and X-Large Chandelier

700WYT8\_, 700WYT12\_ 1.0



CHANDELIER

### GENERAL PRODUCT INFORMATION:



This product is suitable for indoor locations.

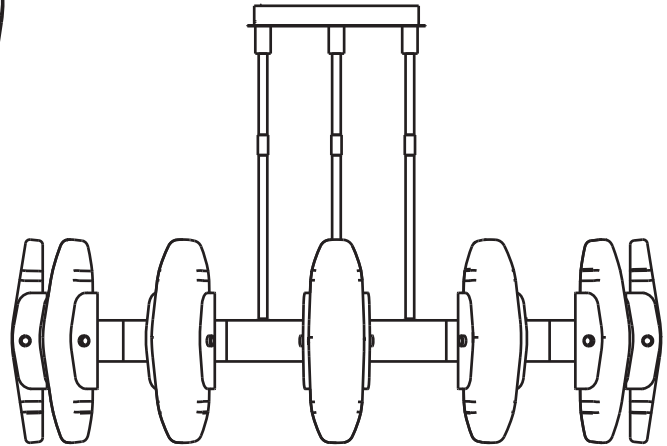
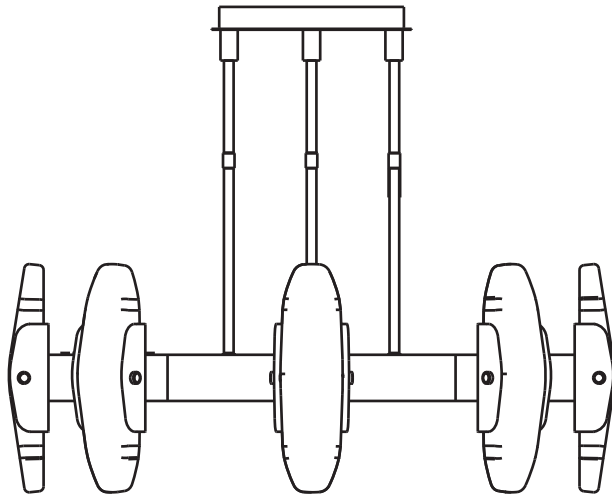
This product can be dimmed with most LED compatible ELV and Triac dimmers.

This instruction shows a typical installation.

**CAUTION - RISK OF FIRE**  
 This product must be installed in accordance with the applicable installation code by a person familiar with the construction and operation of the product and the hazards involved.  
**Use minimum 90°C supply conductors.**

**2 PERSON INSTALL**

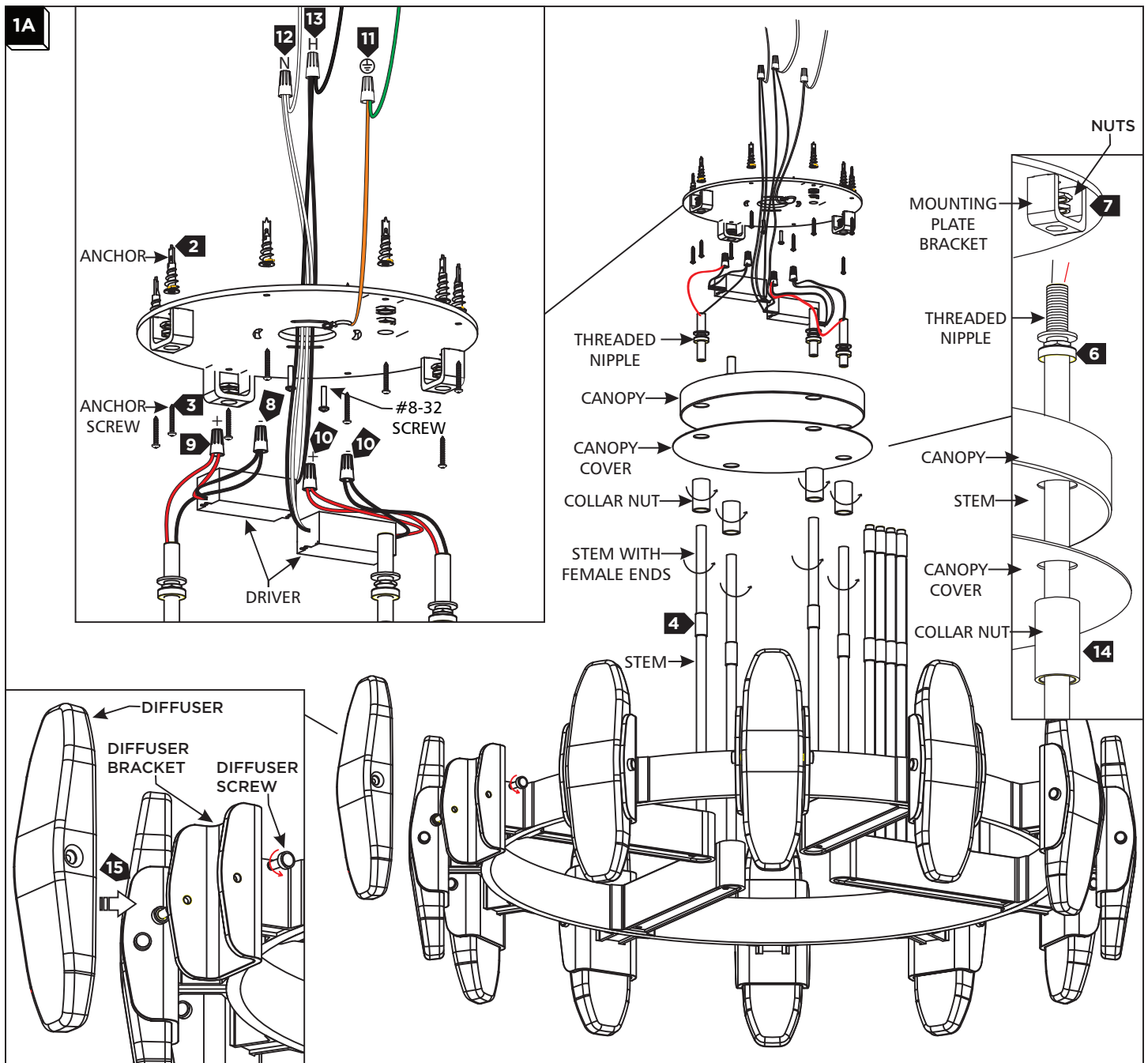
**SAVE THESE INSTRUCTIONS!**



### TECH LIGHTING

7400 Linder Ave., Skokie, IL 60077  
T 847.410.4400 | F 847.410.4500  
www.techlighting.com

## Install the Fixture



- 1** Temporarily secure the mounting plate to the junction box with the provided #8-32 screws and mark the location of the anchors.
- 2** Remove the mounting plate and install the anchors by tapping them in to the drywall then screw them the rest of the way in with a screw driver.
- 3** Reinstall the mounting plate and secure with the anchor screws.
- 4** Assemble the stems to the desired height (ensure that the top stems are the ones with 2 female ends), feed the fixture wires through the stem assembly and screw them onto the fixture.
- 5** Slide a collar nut onto each stem, then align the holes on the canopy cover and canopy to the stems and slide onto the top of the fixture.
- 6** Screw the a threaded nipple onto each stem.
- 7** With the help on an assistant, lift the fixture up to the canopy, slide the threaded nipple into the bracket holes on the mounting plate and secure them in place by installing and tightening a nut onto each threaded nipple. Install and tighten another nut onto each nipple.
- 8** From one set of the fixture wires, connect the negative (-) fixture wire to the negative (-) output driver wire with a wire nut.
- 9** From the same set of fixture wires, connect the positive (+) fixture wire to the positive (+) output driver wire with a wire nut.
- 10** Repeat steps 8 and 9 for the other set of fixture wires and the second driver.
- 11** Connect the fixture to a suitable ground in accordance with local electrical codes.
- 12** Connect the white input driver wires to the neutral power line wire with a wire nut.
- 13** Connect the red input driver wires to the hot power line wire with a wire nut.
- 14** Neatly place the drivers, wires, and wire nut connections inside the canopy, then slide the canopy and the canopy cover up to the ceiling and secure in place with the collar nuts.
- 15** Install a diffuser onto a diffuser bracket and secure it in place with a diffuser screw on each side. Repeat for the rest of the diffusers.