

T~TRAK

SYSTEM CONNECTORS

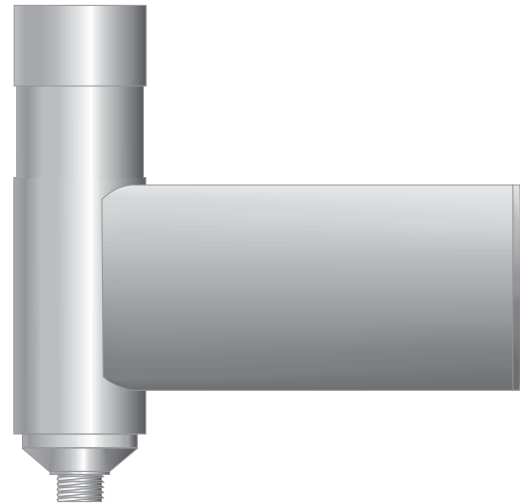
GENERAL PRODUCT INFORMATION:



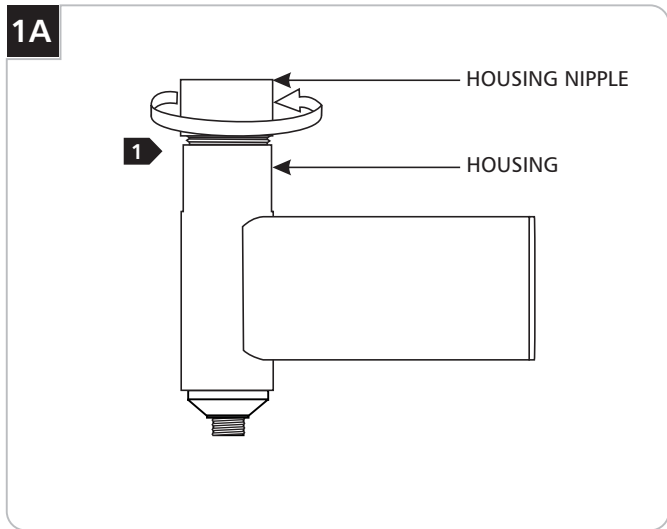
This product is suitable for indoor dry locations only.

10 watt version is dimmable with a low-voltage electronic dimmer. 75 watt version is dimmable with a standard incandescent dimmer.

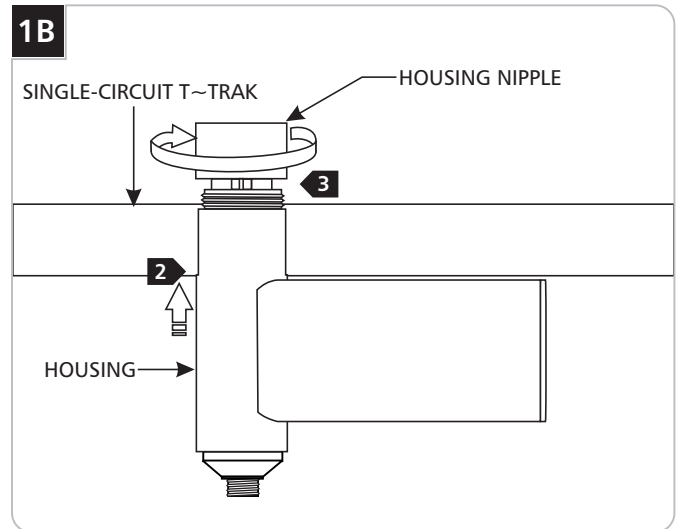
NOTE: Turn off power to the Single Circuit T~trak™ before installing, removing, or relamping the fixture.



Install the FreeJack Connector



1 Unscrew the housing nipple from housing.

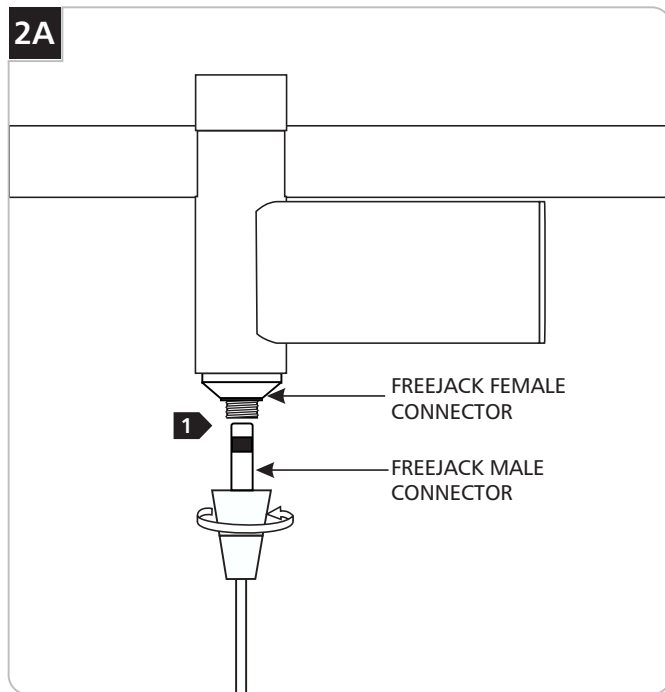


2 From bottom of the Single-Circuit T~trak, place the housing onto the Single-Circuit T~trak and push it all the way up.

3 Line up the housing nipple with the housing and tighten it to housing.

NOTE: In case of cross threading, unscrew the housing nipple from the housing and repeat steps 3 & 4.

Connect the Fixture to FreeJack Connector



- 1 Screw the FreeJack male connector into the FreeJack female connector.

NOTE: Do not exceed the rated power output of the Freejack Connector. Models ending in -LED are rated for **60 watts**. All other models are rated for **75 watts**.

SAVE THESE INSTRUCTIONS!

T~TRAK
a brand of **TECH LIGHTING**
7400 Linder Ave, Skokie, IL 60077
847.410.4400
www.ttraklighting.com

© 2013 Tech Lighting, L.L.C. All rights reserved. The "T~trak"™ graphic is a registered trademark of T~trak™. T~trak™ reserves the right to change specifications for product improvements without notification.
A Generation Brands Company