

Akimbo Linear Suspension

700LSAKMB_ 1.1



CEILING

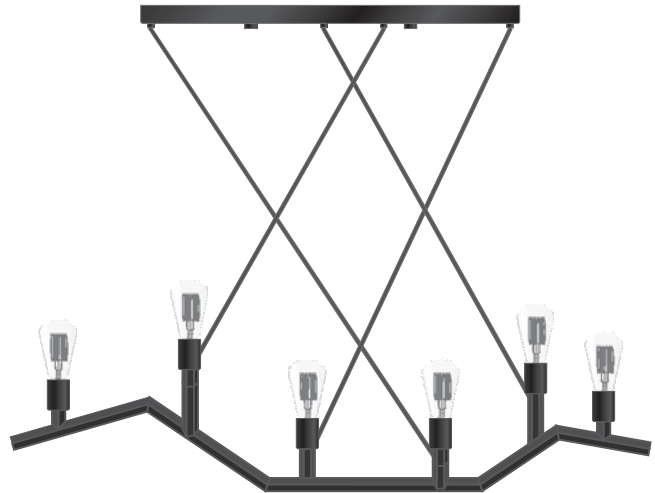
GENERAL PRODUCT INFORMATION:

These fixtures are intended to be installed utilizing NEC compliant junction boxes.

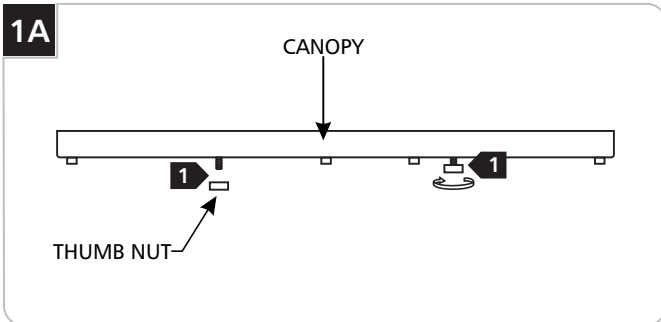


This product is suitable for damp locations.

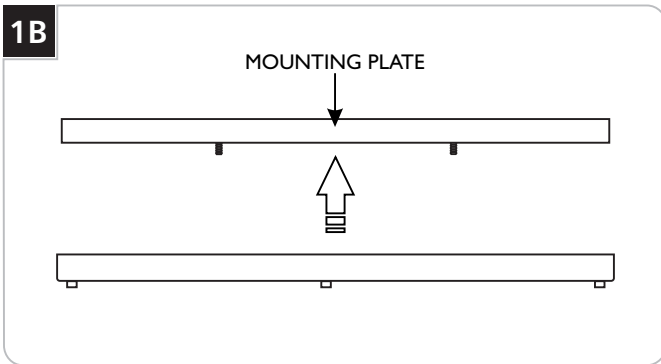
CAUTION - RISK OF FIRE
 This product must be installed in accordance with the applicable installation code by a person familiar with the construction and operation of the product and the hazards involved.
 Use minimum 90°C supply conductors.



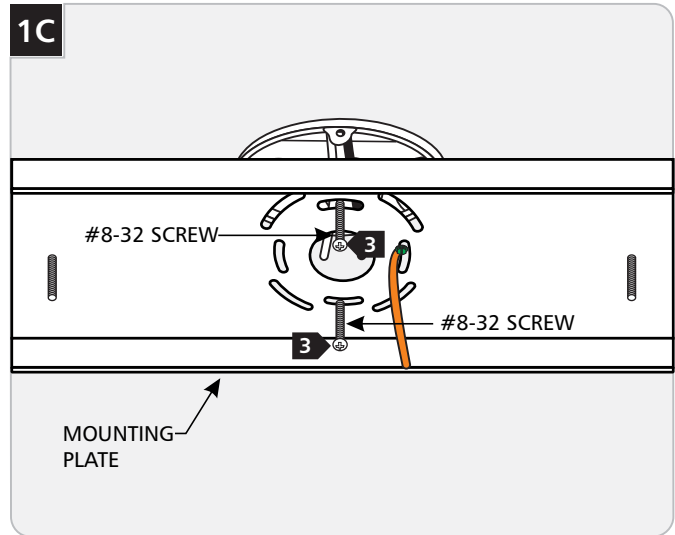
Install the Mounting Plate



1 Separate the mounting plate from the canopy by first unscrewing and removing the two thumb nuts.

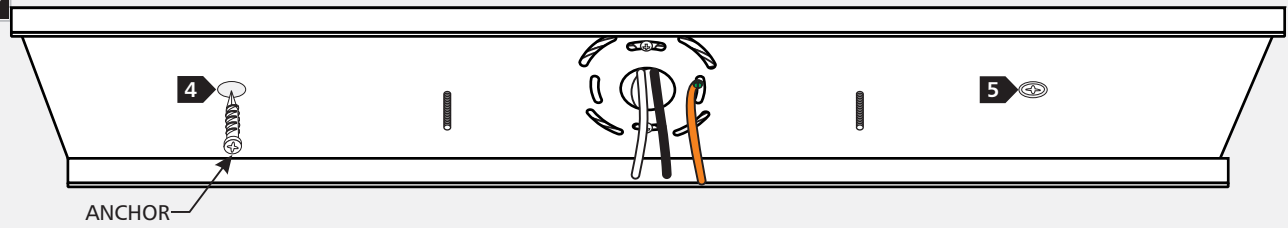


2 Remove the mounting plate from the canopy.



3 Secure the mounting plate to the electrical box with the two #8-32 screws provided.

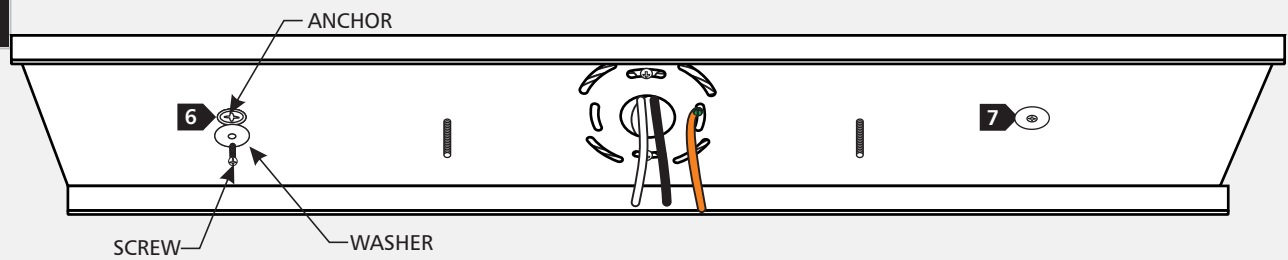
1D



4 Line up an anchor with the center of a backplate hole and push the anchor in up to the threads.

5 Screw the anchor the rest of the way in with a screwdriver.

1E

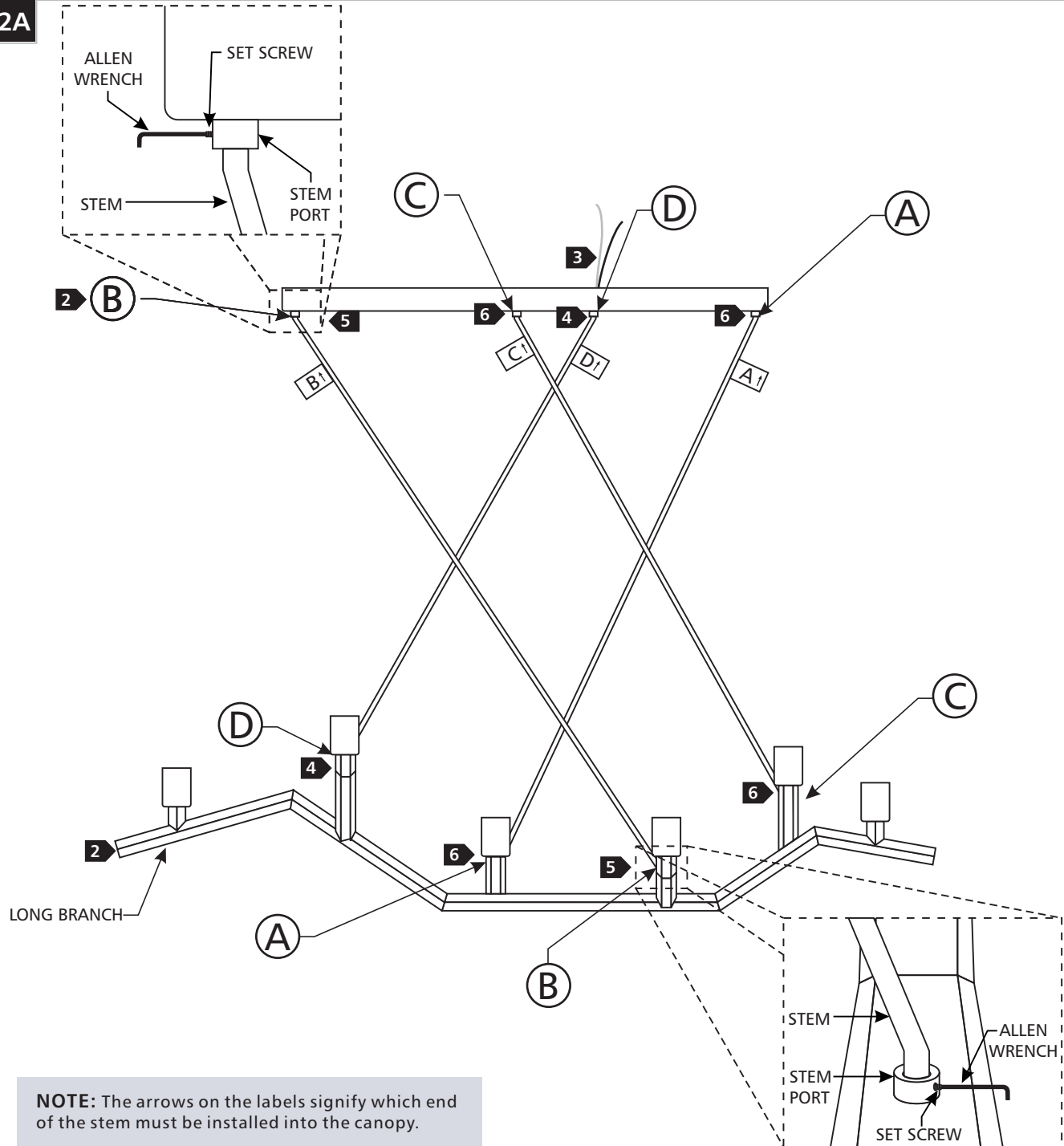


6 Secure the backplate to the anchor with a screw and washer.

7 Repeat steps 4-6 for the remaining anchor hole.

Assemble the Fixture

2A



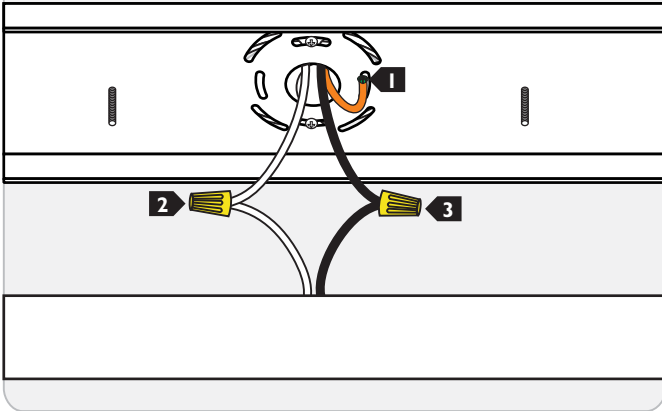
NOTE: The arrows on the labels signify which end of the stem must be installed into the canopy.

- 1 Ensure that the set screws on the stem ports from the fixture and the canopy are backed up with the provided Allen wrench.
- 2 Align the fixture's long branch and the canopy's port B to your left. This will help with the guiding of the stems.
- 3 Feed the fixture wires through the canopy by aligning the stem with the wire with the designated port.
- 4 Install the "label arrow up" end of stem D in to the designated port in the fixture. With the help of an assistant to hold the canopy, rotate the stem and insert it into the designated port in the canopy.
- 5 Repeat for stem B while ensuring that the overlap is so that stem B is on the inside (towards you).
- 6 Repeat for stem C then A while ensuring that the overlap is so that stem C is on the inside (towards you).
- 7 Ensure that the canopy and fixture are aligned and tighten all the stem ports with the provided Allen wrench.

Install the Fixture

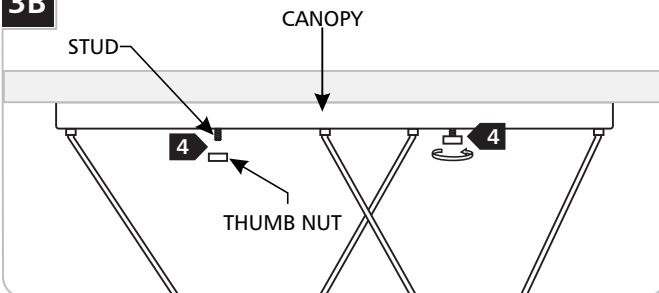
NOTE: It is recommended that one person hold the fixture while the electrician connects the power and installs the canopy.

3A



- 1 Connect the fixture to a suitable ground in accordance with local electrical codes.
- 2 Connect the white fixture wire to the neutral power line wire with a wire nut.
- 3 Connect the black fixture wire to the hot power line wire with a wire nut.

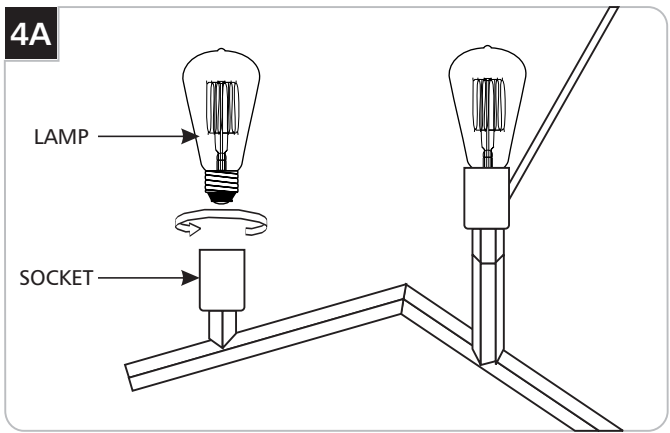
3B



- 4 Re-install the canopy by aligning the studs of the mounting plate to the holes in the canopy and secure it in place with the two thumb nuts.

Install the Lamp

4A



CAUTION: To reduce the risk of a burn or electric shock during relamping, disconnect the power to the fixture.

Use **MAX 60 Watt Medium Base Lamp.**



- 1 Screw the new lamp into the socket.

SAVE THESE INSTRUCTIONS!



TECH LIGHTING®

7400 Linder Ave, Skokie, IL 60077
847.410.4400

www.techlighting.com

© 2015 Tech Lighting, L.L.C. All rights reserved. The "Tech Lighting" graphic is a registered trademark of Tech Lighting, L.L.C. Tech Lighting reserves the right to change specifications for product improvements without notification.

A Generation Brands Company