

Trace Semi-Flushmount

700FMTRAS_

1.1



CHANDELIERS

GENERAL PRODUCT INFORMATION:



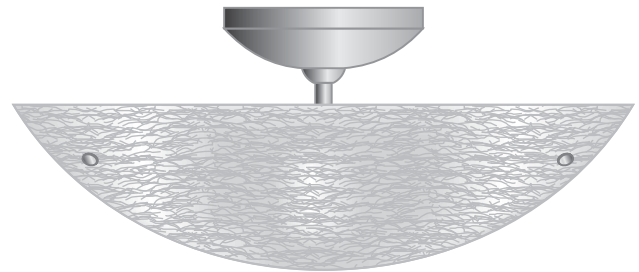
This product is suitable for damp locations.

This product can be dimmed with a standard incandescent dimmer.

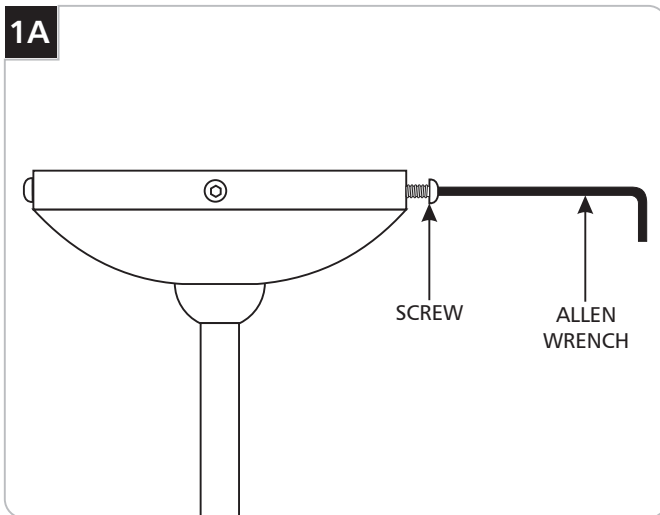
CAUTION — RISK OF FIRE

This product requires installation by a qualified electrician. Before installing be sure to read all instructions and **TURN THE POWER TO THE ELECTRICAL BOX OFF.**

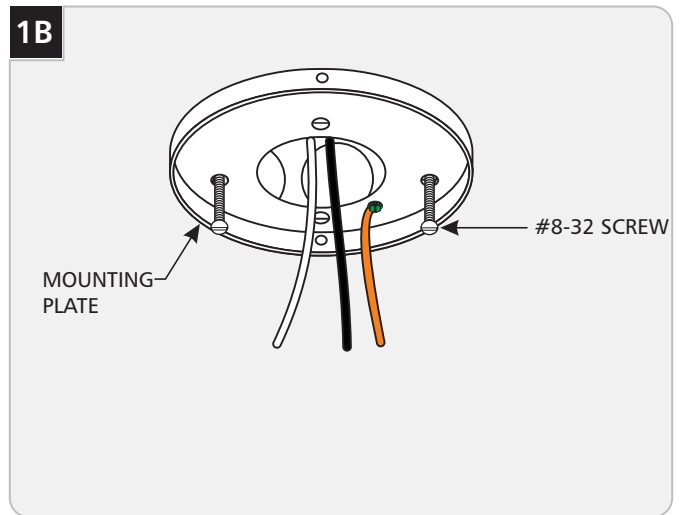
NOTE: This canopy may be installed to sloped ceilings with **MAX 45°** tilt.



Install the Fixture



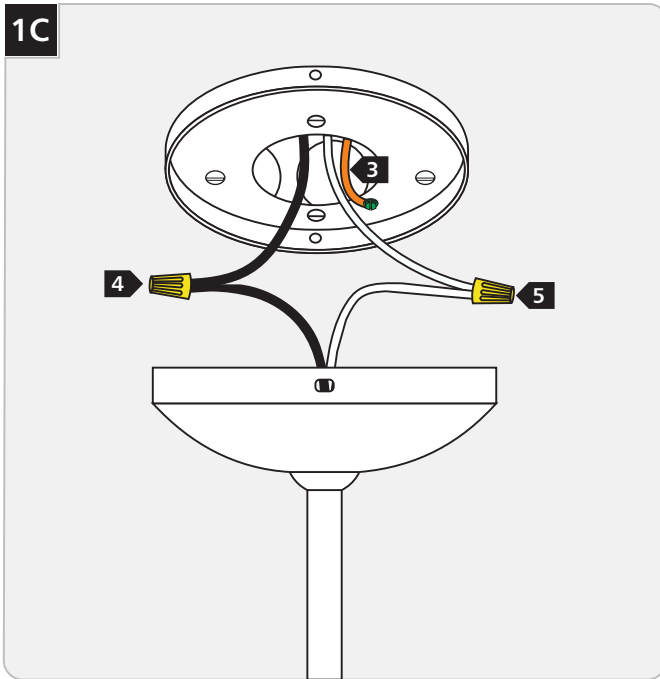
1 Separate the mounting plate from the canopy by removing all four screws with the provided Allen wrench.



2 Secure the mounting plate to the electrical box with the two #8-32 screws provided.

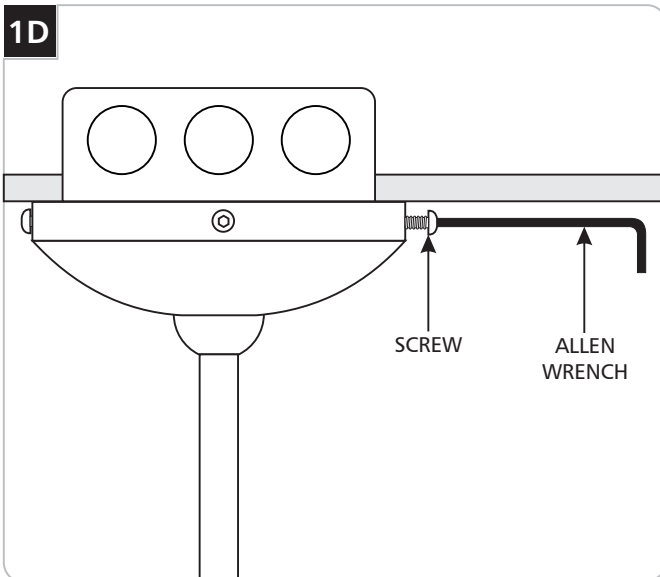
Install the Fixture

1C



- 3 Connect the fixture to a suitable ground in accordance with local electrical codes.
- 4 Connect the black fixture wire to the hot power line wire with a wire nut.
- 5 Connect the white fixture wire to the neutral power line wire with a wire nut.

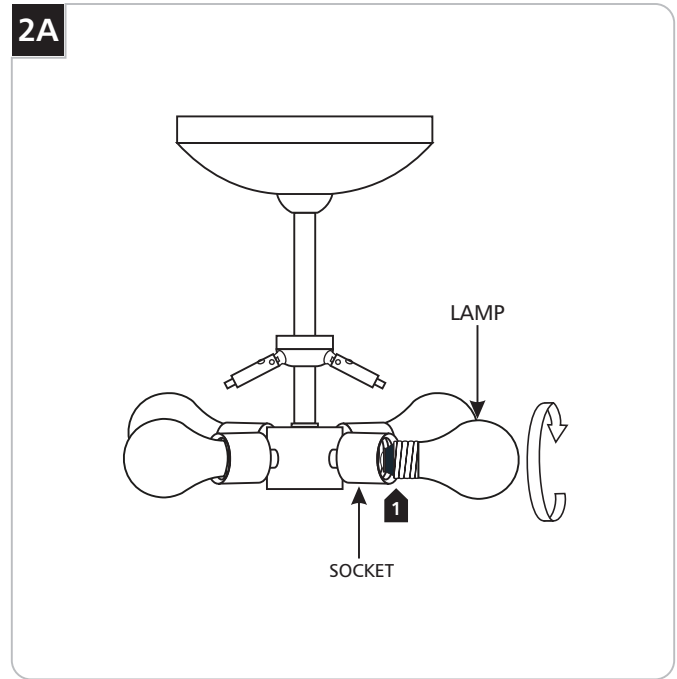
1D



- 6 Place all wire and wire nut connections inside the electrical box.
- 7 Align the canopy holes with the mounting plate holes and secure the canopy in place by re-tightening the four screws with the Allen wrench.

Install the Lamp

2A



CAUTION: To reduce the risk of a burn or electric shock during relamping, disconnect the power to the fixture.

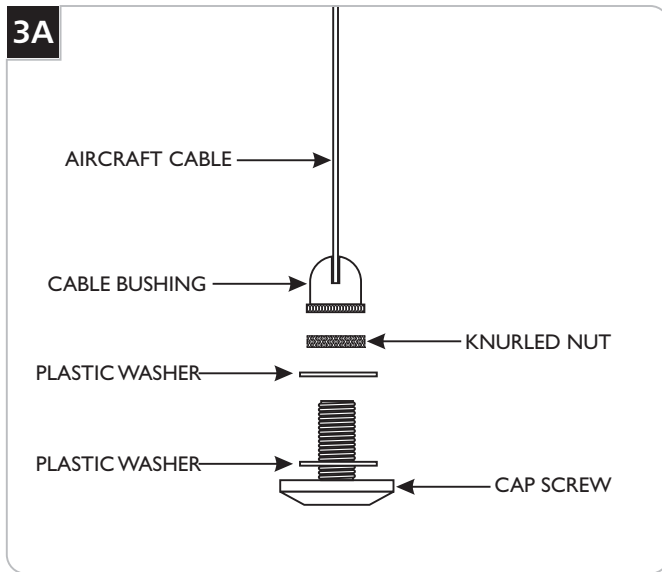
Use **MAX 60 Watt** type A19 medium base lamp.



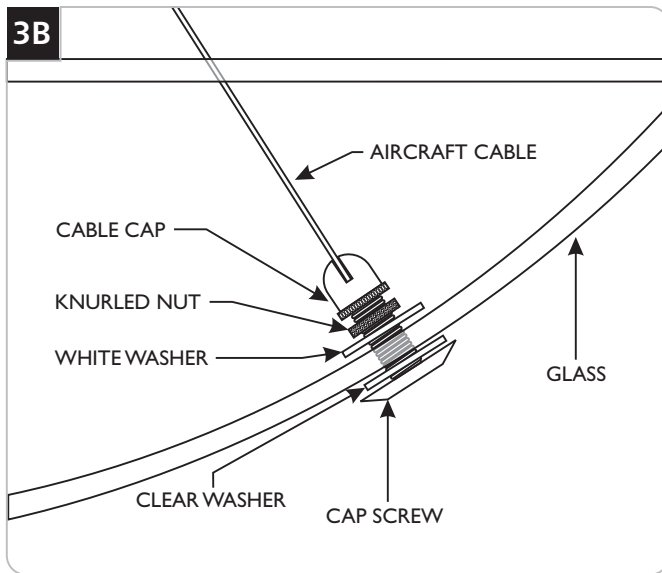
- 1 Screw the lamps into the sockets.

NOTE: To replace the lamps, simply reach for the lamps from top of the glass shade. **DO NOT REMOVE THE GLASS SHADE.**

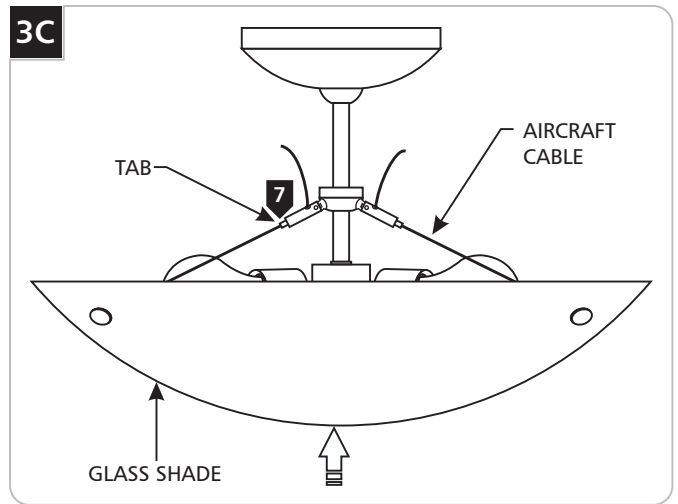
Install the Glass



- 1 Remove the cap screw from the cable bushing.
- 2 Remove the knurled nut and one of the washers from the cap screw.



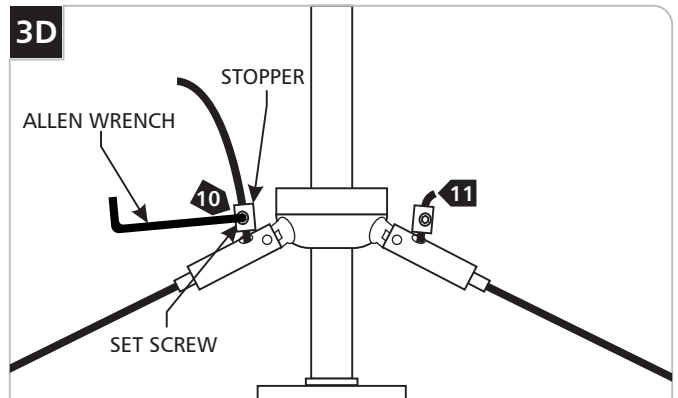
- 3 From outside of the glass, insert the cap screw with a washer through one hole.
- 4 Place the other washer onto the cap screw and finger-tighten the knurled nut to secure the cap screw in place.
- 5 Screw the cable cap completely onto the cap screw.
- 6 Repeat steps 1 through 5 for the remaining glass shade holes.



NOTE: Assistance will be needed to install the glass shade and to support it while adjusting the aircraft cables to position it in place.

CAUTION: Before trimming the access aircraft cable after height positioning of the glass shade, make sure to turn the power on to the fixture and determine if the wanted look has been achieved.

- 7 Feed the aircraft cable through the tabs.
- 8 Evenly pull the aircraft cable to raise the glass shade or push the tabs in and pull the aircraft cable down to lower the glass shade until the desired position is archived.



- 9 Using the provided Allen wrench, back out the set screw (if necessary) and install the stopper onto the aircraft cable.
- 10 Slide the stopper all the way down and secure it by firmly tightening the set screw.
- 11 Trim the excess aircraft cable (leaving about a 1/4 inch) for a nice and neat look.

NOTE: To replace the lamps, simply reach for the lamps from top of the glass shade. **DO NOT REMOVE THE GLASS SHADE.**

SAVE THESE INSTRUCTIONS!



TECH LIGHTING®

7400 Linder Ave, Skokie, IL 60077
847.410.4400

www.techlighting.com

© 2012 Tech Lighting, L.L.C. All rights reserved. The "Tech Lighting" graphic is a registered trademark of Tech Lighting, L.L.C. Tech Lighting reserves the right to change specifications for product improvements without notification.

A Generation Brands Company