

Gia Mirror Kit

700BCGIAMR_ 1.2



BATH COLLECTION

GENERAL PRODUCT INFORMATION:

Suitable for damp locations.



CAUTION - RISK OF FIRE

This product must be installed in accordance with the applicable installation code by a person familiar with the construction and operation of the product and the hazards involved.

Use minimum 90°C supply conductors.

CAUTION: It is important to determine the location of the electrical box/driver and fixture layout before beginning the following installation.

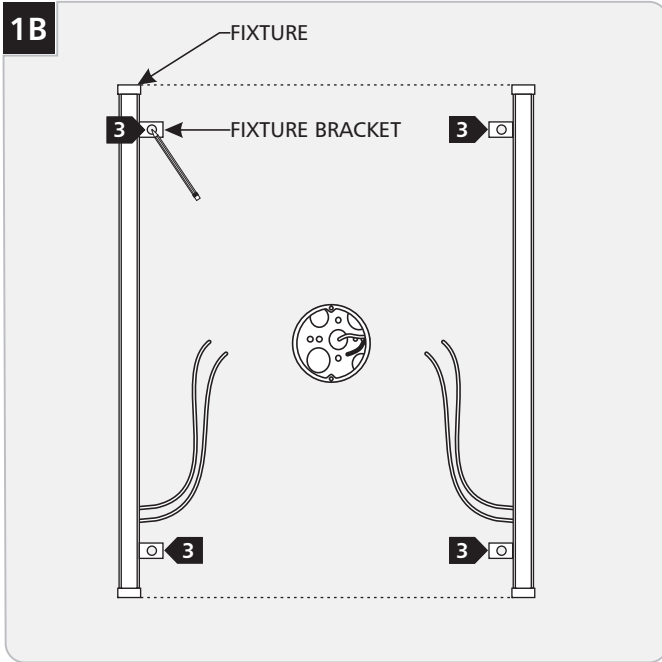
Install the Fixtures

1A

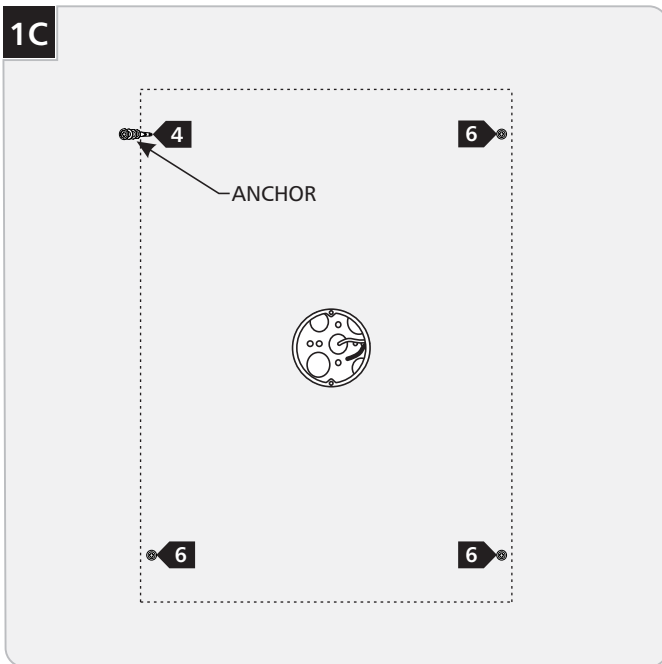
MULTIPLE MIRROR INSTALLATION

MULTIPLE MIRROR WITH 600 LMS/F INSTALLATION

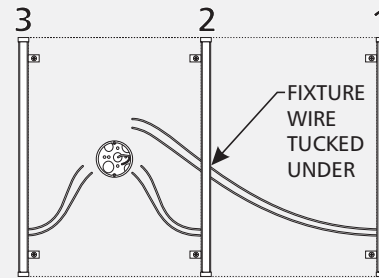
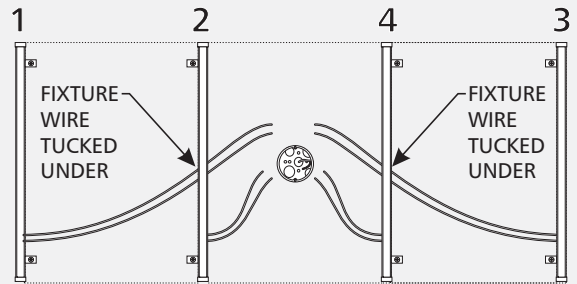
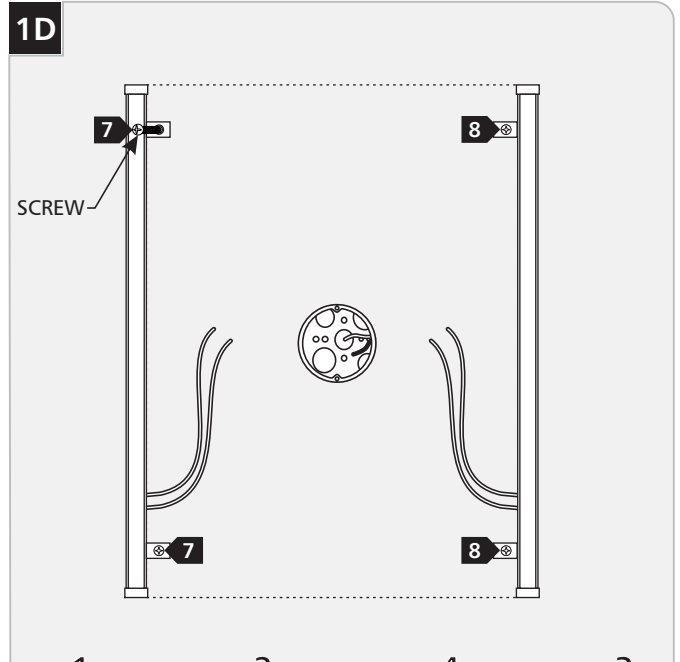
- 1** Ensure that the electrical box is located behind the mirror location.
 - For multiple mirror installations, an electrical box must be present behind the mirror which is the center of the group.
 - For multiple mirror installations with 600 lms/ft, two electrical boxes must be present behind each outer mirror to support the additional driver.
- 2** Using the provided cardboard mirror template and a fixture; level, measure, and mark the location of mirror(s) and fixtures.



- 3** Place the fixture on the marked location and mark the location of the holes in the fixture's mounting bracket.
Note: Ensure that the brackets are located behind the mirror

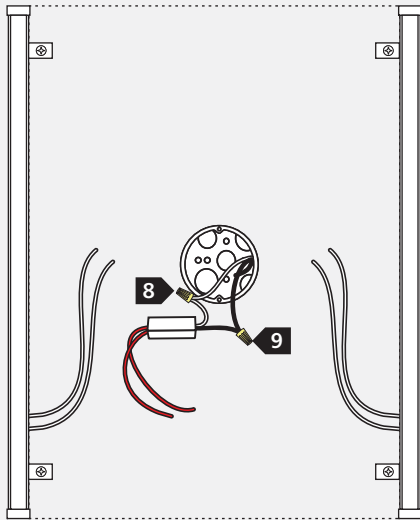


- 4** At a bracket hole location, push the anchor into the wall up to the threads.
5 Screw the anchors in the rest of the way with a Phillips-head screwdriver.
6 Repeat steps 4-5 for the other anchors.



- 7** Replace the fixtures and secure them by tightening the #8 screw into the anchors.

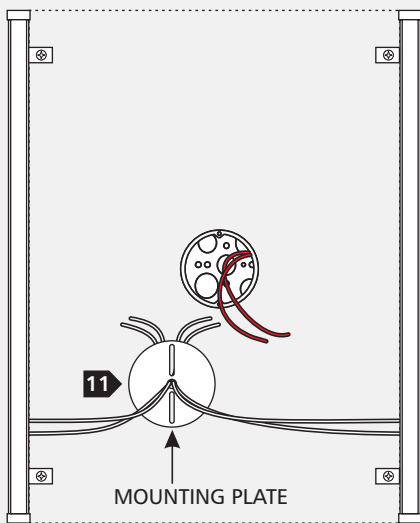
NOTE: For multiple mirror installations, install the fixtures in an order that ensures that all the fixture wires are able to reach the nearest electrical box while being tightly installed under the fixture that is before it if necessary. See illustrated install order examples.

1E

Note: For 600 lms/f installations, wire each driver separately to the power lines from its dedicated electrical box.

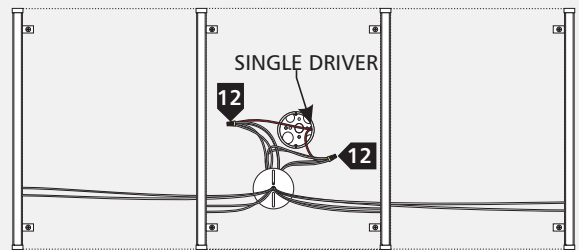
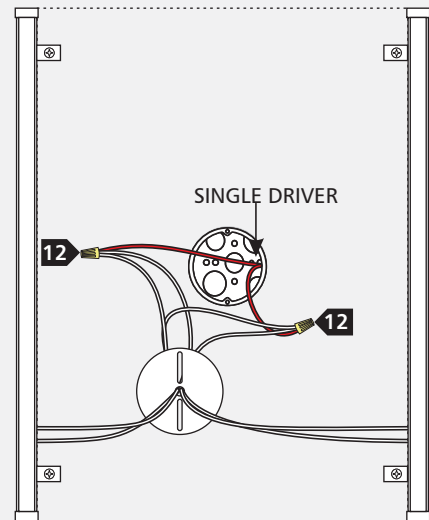
8 Connect the white driver wire to the neutral power line.

9 Connect the black driver wire to the hot power line.

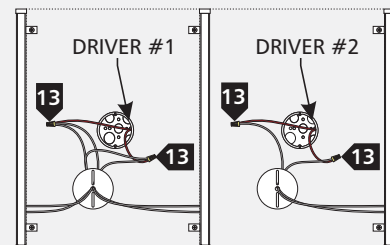
1F

10 Properly place the driver, input wires, and wire nut connections into the electrical box.

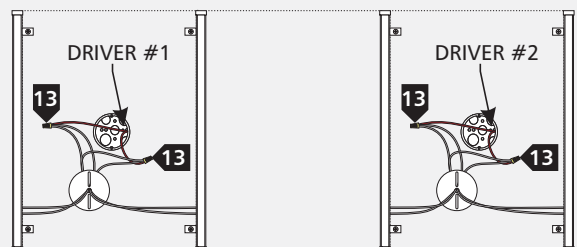
11 Feed the fixture wires through the mounting plate center hole. **Note:** Ensure that the fixture wires from each fixture remain separate and identifiable for power connections.

1G

2 MIRROR WITH 600 LMS/F INSTALLATION



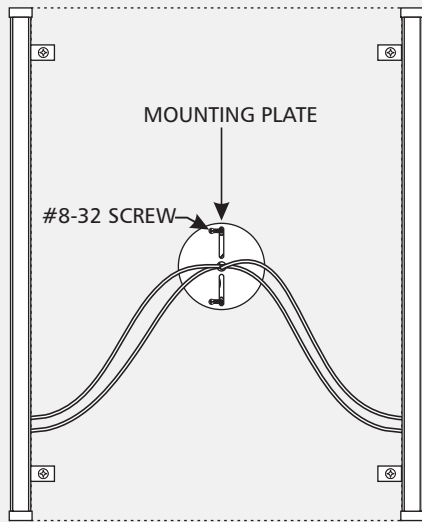
3 MIRROR WITH 600 LMS/F INSTALLATION



12 **Wiring for all except 600lms/f 2 and 3 mirror:**
Properly connect each of the driver wires to one of the fixture wires from each fixture.

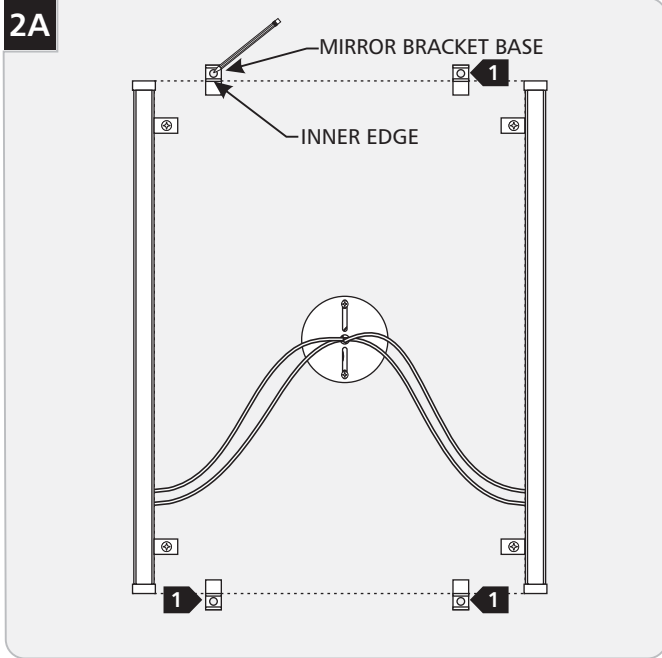
13 **Wiring for 600lms/f 2 and 3 mirror:**
Properly connect each of the driver wires to one of the fixture wires in way that the each driver is only connected to a maximum of two fixtures.

1H

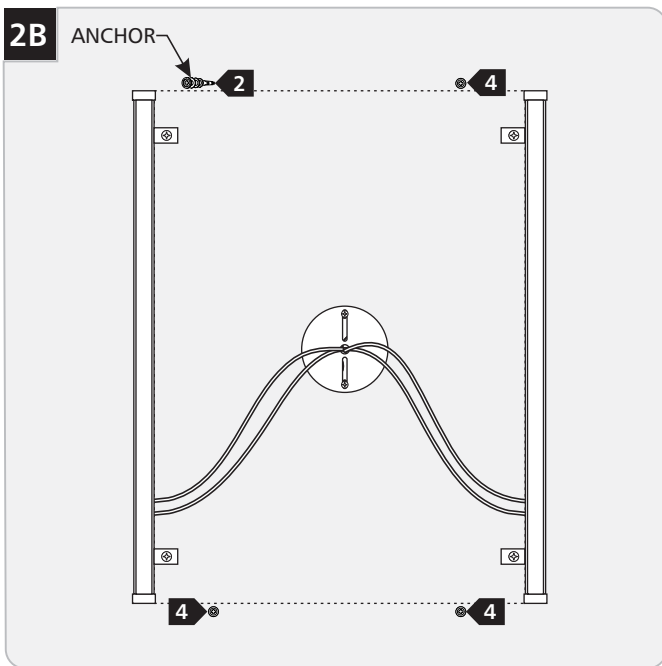


- 14** Properly place the wires and wire nut connections inside the electrical box.
- 15** If necessary, push any excess fixture wire into the electrical box through the mounting plate.
- 16** Attach the mounting plate to the electrical box using the two #8-32 screws provided.
- 17** For 600 lms/f installations, repeat for the other electrical box.

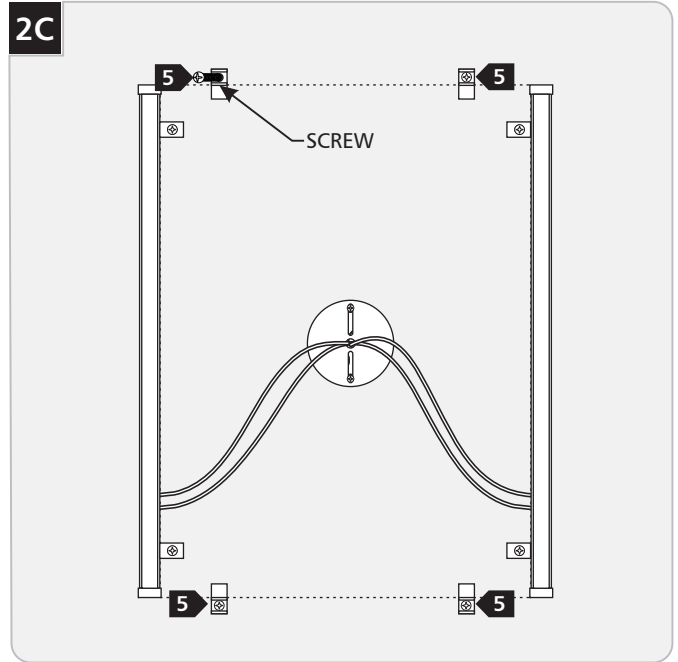
Install the Mirror



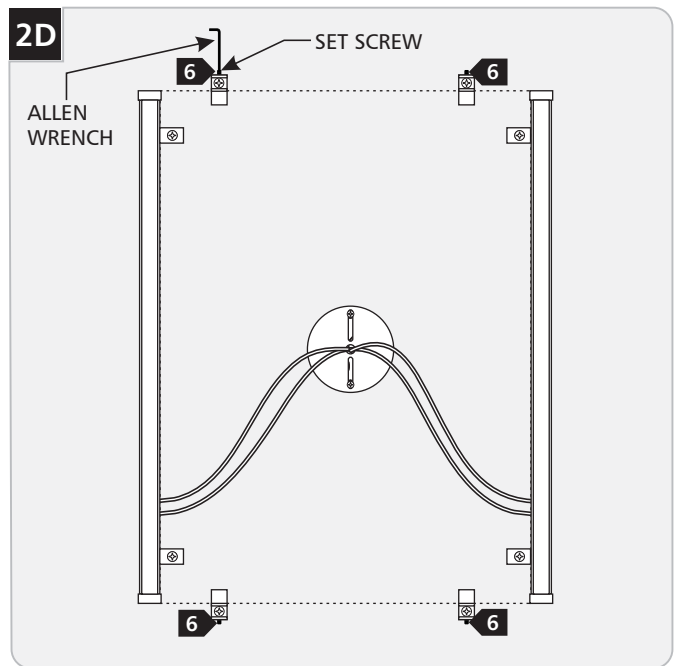
- 1 Align the inner edge of the mirror bracket base to the edge of the mirror markings and mark the location of the holes in the mirror's mounting bracket base. **Note:** Ensure that the brackets are leveled and aligned vertically.



- 2 At a bracket hole location, push the anchor into the wall up to the threads.
- 3 Screw the anchors in the rest of the way with a Phillips-head screwdriver.
- 4 Repeat steps 2-3 for the other anchors.

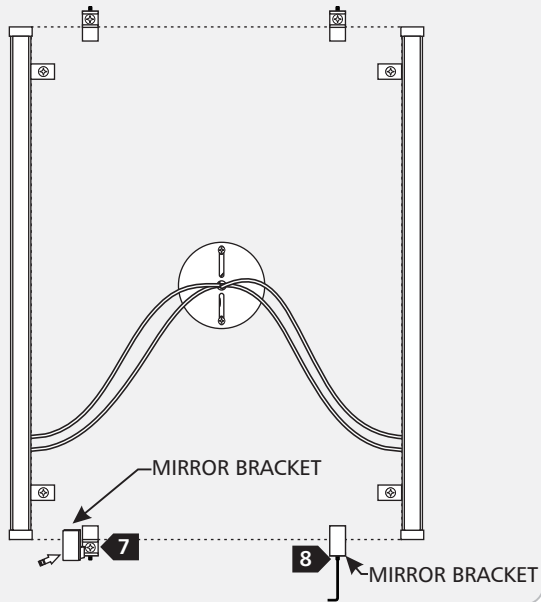


- 5 Replace the mirror bracket bases and secure them by tightening the #8 screw it into the anchors.



- 6 With the provided Allen wrench, ensure that the set screws in the mirror bracket base are backed out.

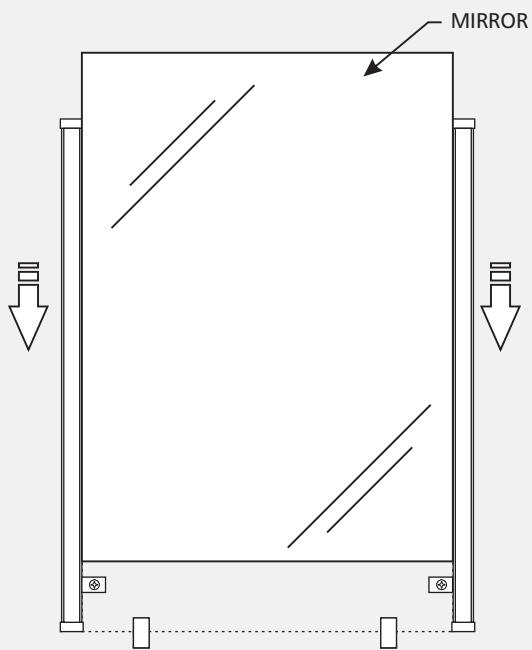
2E



7 Install mirror brackets only into the lower mirror bracket bases.

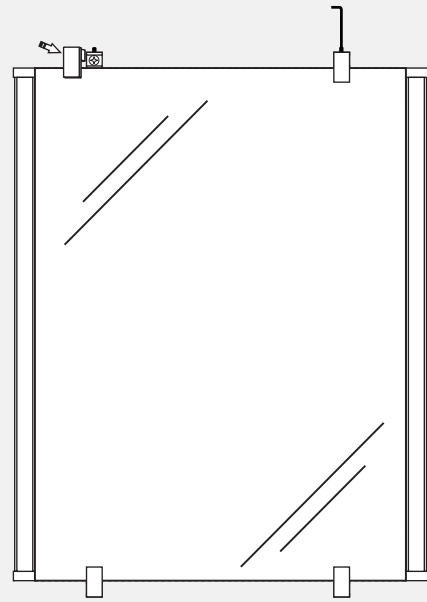
8 Tighten the set screws.

2F



9 Gently slide the mirror into the assembled lower brackets.

2G



10 Install the top mirror brackets into the bases and tighten the set screws.

SAVE THESE INSTRUCTIONS!



TECH LIGHTING®

7400 Linder Ave, Skokie, IL 60077

847.410.4400

www.techlighting.com

© 2014 Tech Lighting, L.L.C. All rights reserved. The "Tech Lighting" graphic is a registered trademark of Tech Lighting, L.L.C. Tech Lighting reserves the right to change specifications for product improvements without notification.

A Generation Brands Company