

# LINE-VOLTAGE PENDANTS / SUSPENSION

## Ryker Pendant

### DESCRIPTION

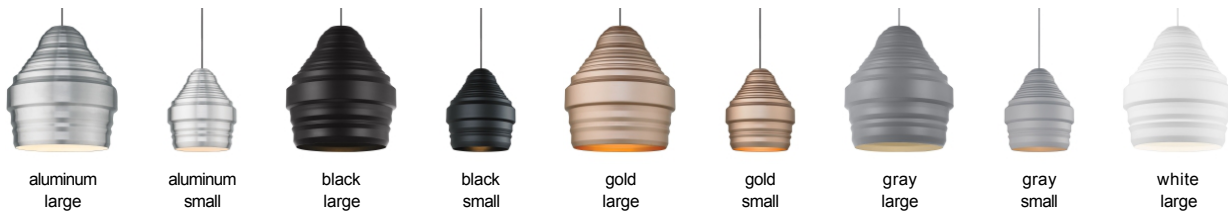
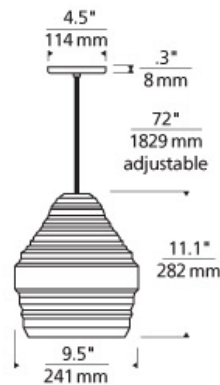
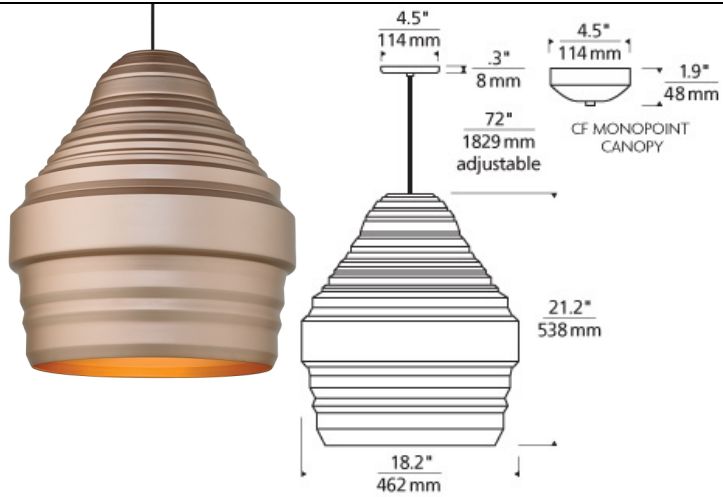
Elegantly simple yet visually complex, its scale and silhouette combine to give a fresh take on large, warehouse-inspired design. The spun metal shade is formed into varying angular planes to create depth and dimension. Its crisp inflections are softened by a matte, rubberized finish to complete the modern industrial aesthetic. Small incandescent version includes 53 watt, medium base halogen A19 lamp. Large incandescent includes 150 watt G40 globe lamp. Small and Large LED versions include 19 watt, 1680 delivered lumen, 2700K, medium base LED A21 lamp. Incandescent version dimmable with standard incandescent dimmer. LED version dimmable with an LED compatible dimmer. Consult lamp manufacturer for more information. Fixture provided with six feet of field-cuttable cloth cord to match finish selection.

### INSTALLATION

This product can mount to either a 4" square electrical box with round plaster ring or an octagonal electrical box (not included).

### WEIGHT

2.09lb / 0.95kg ±



### ORDERING INFORMATION

700 SYSTEM	RYKP	SHAPE OR SIZE	FINISH	LAMP
TD	LINE-VOLTAGE PENDANTS/SUSPENSION	L LARGE S SMALL	BB BLACK/BLACK AB BRUSHED ALUMINUM/BLACK GB GOLD/BLACK YY GRAY/GRAY WWW WHITE/WHITE	INCANDESCENT 120V -LED927 A21 LED 90 CRI 2700K 120V



**TECH LIGHTING®**  
 7400 Linder Avenue T 847.410.4400  
 Skokie, Illinois 60077 F 847.410.4500  
**Tech Lighting, L.L.C.**

700 \_\_\_\_ RYKP \_\_\_\_\_

FIXTURE TYPE: \_\_\_\_\_

JOB NAME: \_\_\_\_\_

NOTES: \_\_\_\_\_

\_\_\_\_\_

\_\_\_\_\_