

Round or Square Type IC Down Light Housing with LED Lamp for Flanged Trims

E3_F_-L_DI

1.3

ELEMENT
a brand of TECH LIGHTING®

LED - ROUND/SQUARE FLANGED

GENERAL PRODUCT INFORMATION:

This product is suitable for indoor locations.

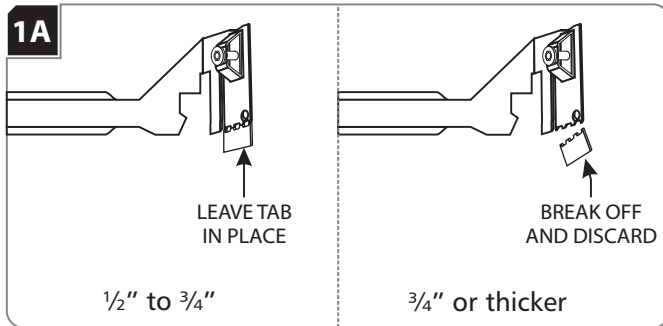
This product can be dimmed with a standard electronic dimmer.

This instruction shows a typical installation.



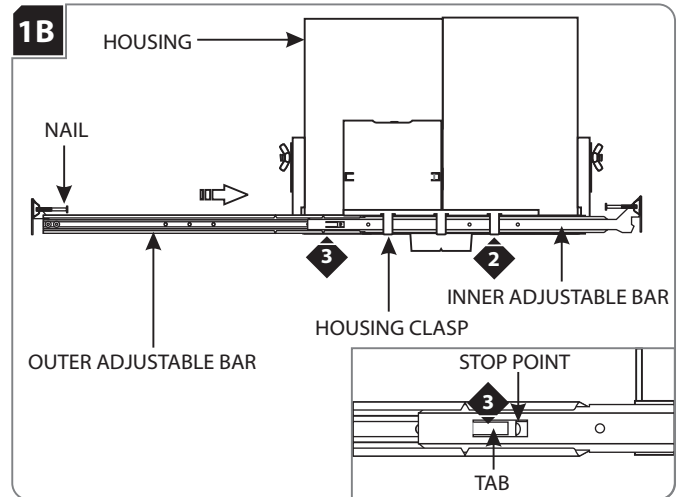
CAUTION - RISK OF FIRE
This product requires installation by a qualified electrician. Before installing be sure to read all instructions and **TURN OFF POWER TO THE ELECTRICAL BOX.**

Install the Housing with Adjustable Bars

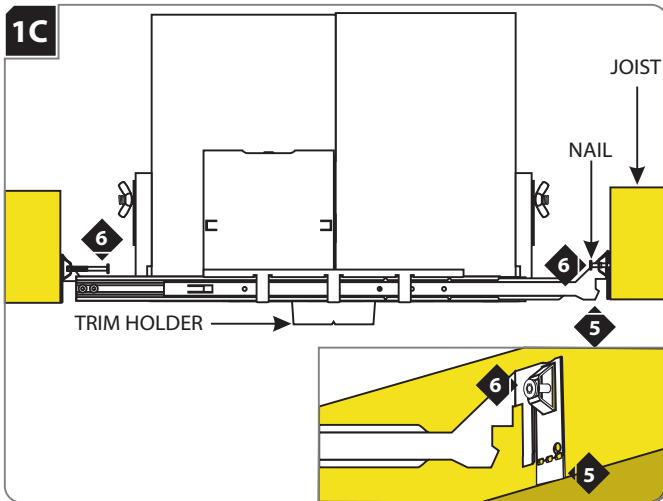


NOTE: Skip this section if installing the housing with butterfly brackets.

- 1 Keep Tab for ceiling 1/2" to 3/4" thick.**
When using adjustable hanger bars with 1/2" to 3/4" thick ceilings, leave the tab of the hanger bars in place.
Break off Tab for ceiling 3/4" or thicker.
When using adjustable hanger bars with 3/4" or thicker ceilings, remove the tab by bending it at the perforation.

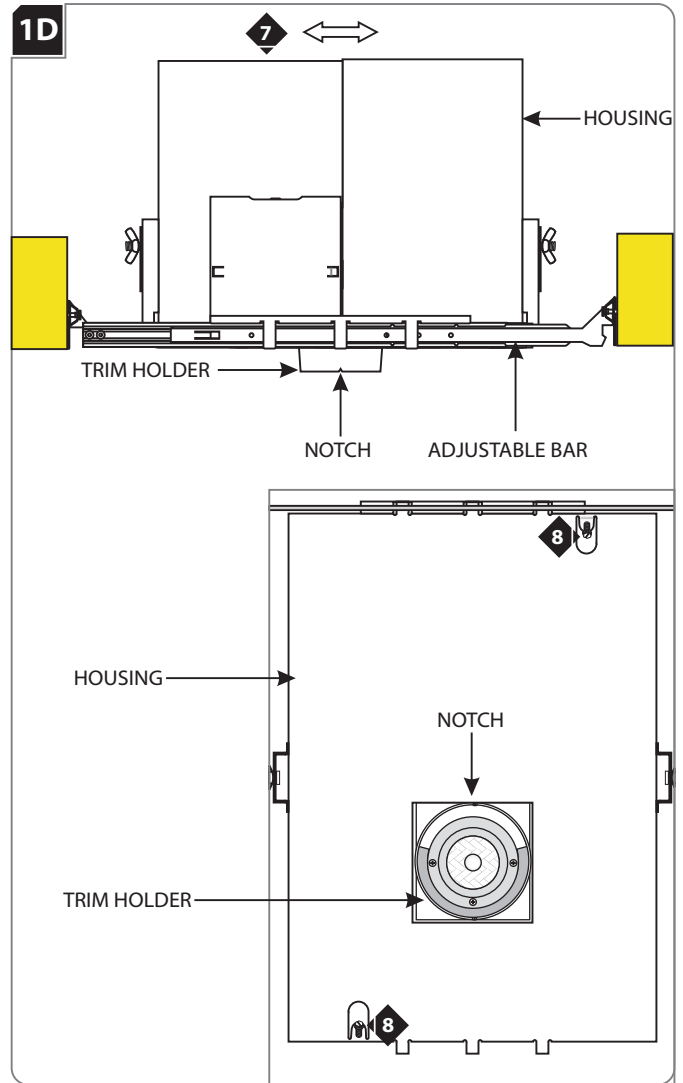


- 2** Slide the inner adjustable bar completely through the three housing clasps. Make sure the nail is on top.
- 3** Slide and push the outer adjustable bar completely onto the inner adjustable bar so that the tab clicks into place behind the stop point. This will prevent the adjustable bars from coming apart.
- 4** Repeat steps 2 & 3 for the other side of the housing.



NOTE: The adjustable bars can be mounted to joists that are spaced 16" - 24" apart.

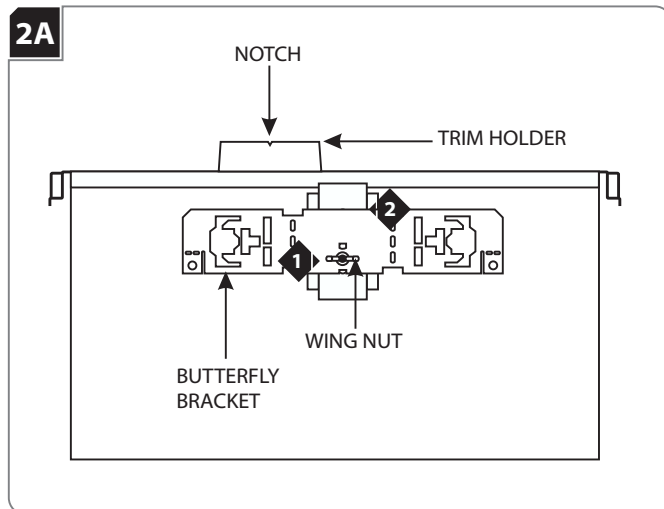
- 5 Align the bottom of the end plates with the bottom of the ceiling joists.
- 6 Level the adjustable bars and, with a hammer, tap the nails completely into the joists to secure the adjustable bars in place.



- 7 Adjust the trim holder position (horizontal position) by sliding the housing on adjustable bars.
- 8 When the desired location is achieved, tighten the two #6 self tapping screws to lock the housing onto the adjustable bars.

NOTE: Notches in trim holder can be used to align multiple housings using a laser or string.

Install the Housing with Butterfly Brackets

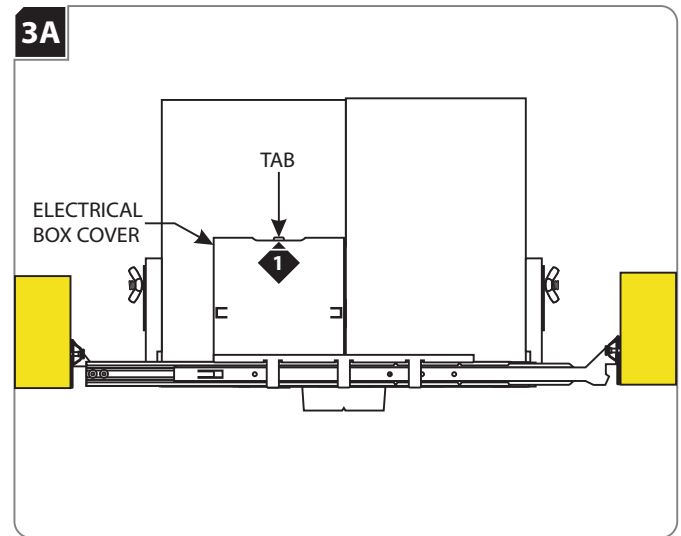


NOTE: Skip this section if installing the housing with adjustable bars.

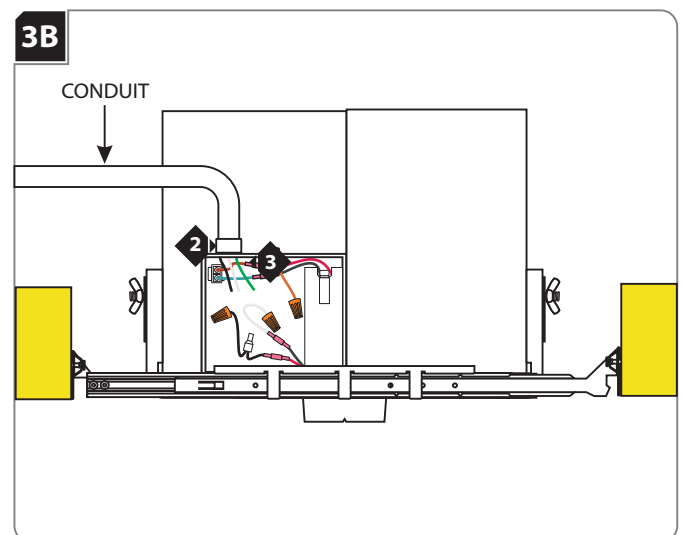
- 1 Slightly loosen the wing nut to slide the butterfly bracket up or down.
- 2 After achieving the proper location, tighten the wing nut to secure the butterfly bracket in place.
- 3 Repeat steps 1 and 2 on for the other butterfly bracket.
- 4 Utilize the butterfly brackets to install the housing in accordance with local electrical codes.

NOTE: Notches in trim holder can be used to align multiple housings using a laser or string.

Connect Power to the Housing



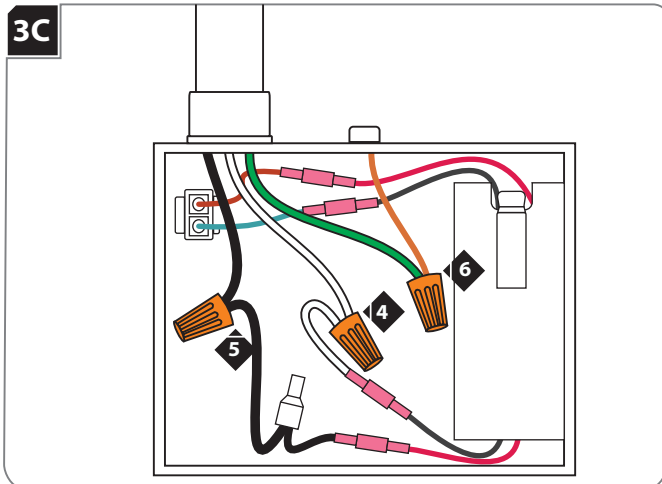
- 1 Push the tab on the housing electrical box up and remove the electrical box cover.



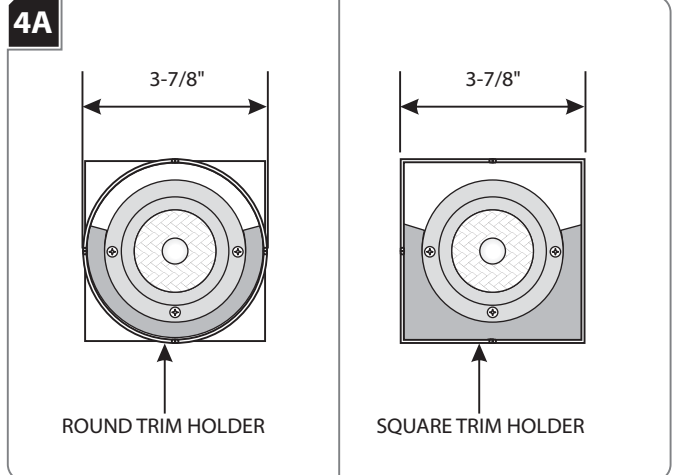
- 2 Install the conduit to the housing electrical box.
- 3 Run the power line wires into the housing electrical box.

WARNING: RISK OF FIRE: When using the housing electrical box for power feed through, use **MAX** 4 - #12 AWG, or 6 - #14 AWG branch circuit wires.

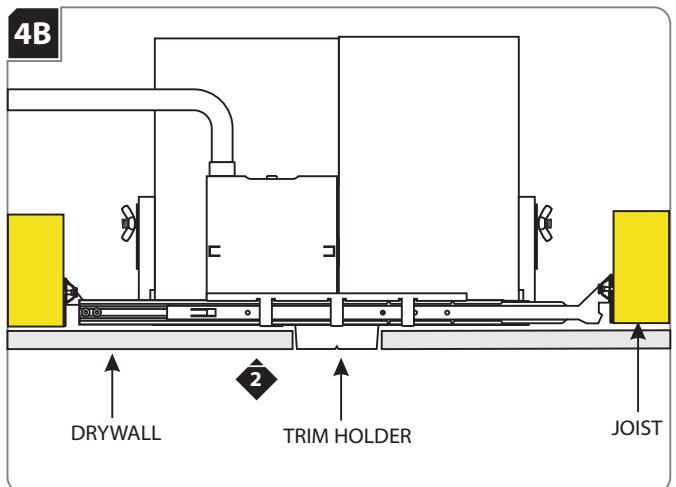
Install Drywall or Suspended Ceiling



- 4 Connect the neutral power line wire to the white transformer wire with a wire nut.
- 5 Connect the hot power line wire to the black transformer wire with a wire nut.
- 6 Make sure that housing is grounded in accordance with local electrical codes.
- 7 Replace the electrical box cover. Make sure that the top edge of the cover snaps under the tab.



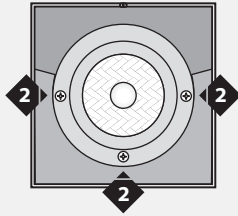
- 1 For round trims, mark a 3-7/8" diameter circle on drywall. Cut out the marked section.
For square trims, mark a 3-7/8" square on drywall. Cut out the marked section.



- 2 Align the cut out section of drywall with the trim holder and install drywall.

Replacing the Lamp

5A

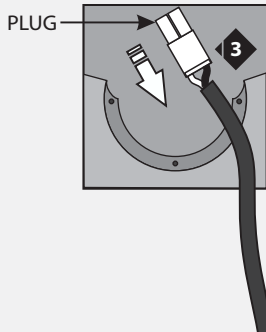


CAUTION: To reduce the risk of a burn or electric shock during relamping, disconnect the power to the fixture.

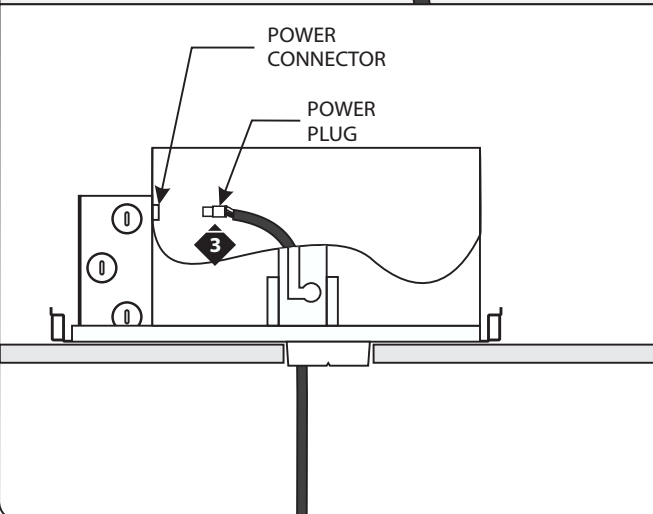
- 1 Remove the trim from the fixture.
- 2 Loosen all three screws from the lamp assembly and lower the lamp assembly.

5B

CONNECTOR (INSIDE)



POWER CONNECTOR
POWER PLUG

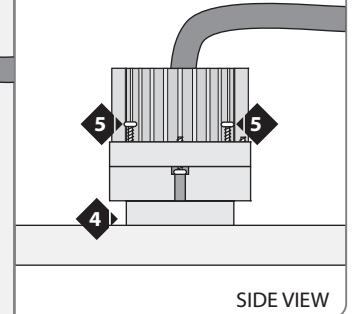


- 3 Disconnect the lamp power plug from the connector inside the housing on the electrical box side.

5C



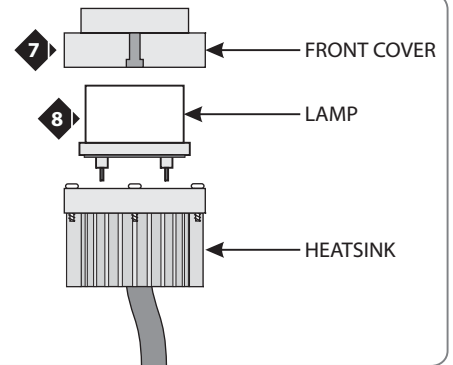
BACK VIEW



SIDE VIEW

- 4 Place the lamp assembly on a clean, flat surface with the lamp side down.
- 5 Loosen and remove all four screws on the back of the lamp assembly and set them aside.

5D



- 6 Hold the lamp assembly together and flip it over.
- 7 Lift the front cover off.
- 8 Pull the old lamp out.

Use **ONLY 18 WATT** proprietary Element Lighting LED lamp.



- 9 Peel the liner off the thermal pad on the new lamp.
- 10 Line up the square and round pegs in the new lamp with the holes in the heatsink and push the new lamp into place.
- 11 Replace the front cover.
- 12 Place the lamp assembly on a clean, flat surface with the lamp side down and reinstall the 4 screws into the back.
- 13 Reconnect the power plug and reinstall the lamp assembly into the housing.
- 14 Reinstall the trim.

NOTES

STATEMENT OF WARRANTY

Tech Lighting warrants all products manufactured by Tech Lighting to be free from defects in material and workmanship under normal use for a specified period after the date of original purchase as follows: 5 years for LED products; 3 years for Energy Star qualified products; 1 year for all other products. For details, visit our website at:

www.techlighting.com/AboutUs#warranty

SAVE THESE INSTRUCTIONS!

ELEMENT 
a brand of **TECH LIGHTING**

7400 Linder Ave, Skokie, IL 60077

847.410.4400

www.element-lighting.com

© 2008 Tech Lighting, L.L.C. All rights reserved. The "Element" graphic is a registered trademark of Element. Element reserves the right to change specifications for product improvements without notification.

A Generation Brands Company