

# Round or Square Type Non-IC Adjustable Housing with LED Lamp for Flanged Trims

E3\_F\_L\_AN

1.1

**ELEMENT**  
a brand of TECH LIGHTING®

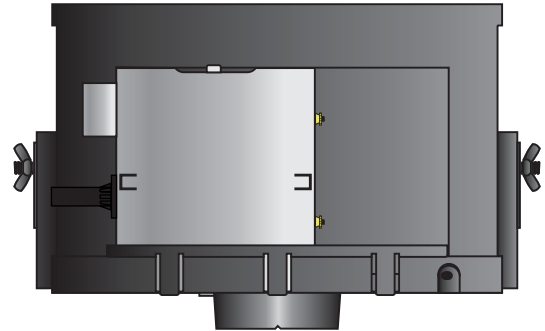
LED - ROUND/SQUARE FLANGED

## GENERAL PRODUCT INFORMATION:

This product is suitable for indoor locations.

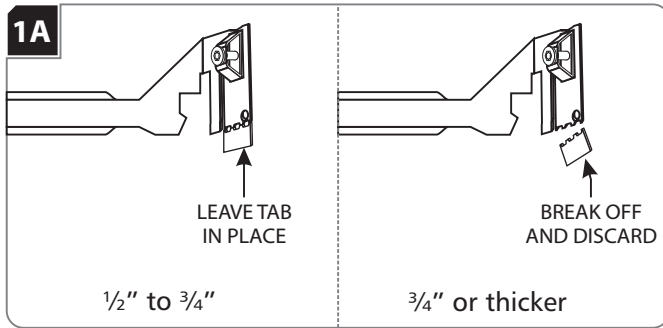
This product can be dimmed with a standard electronic dimmer.

This instruction shows a typical installation.



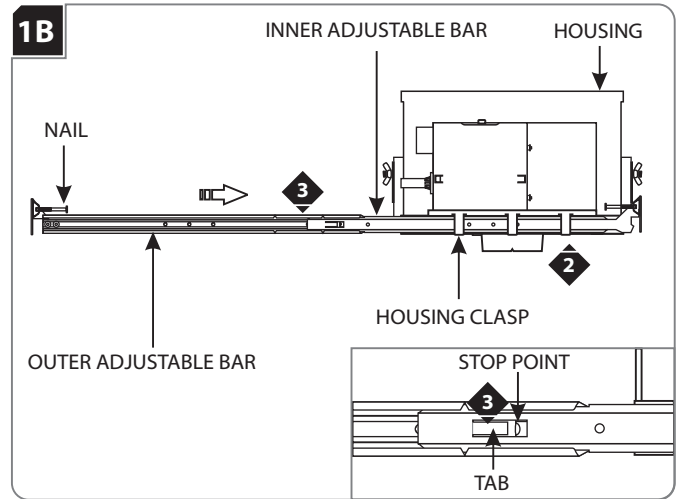
**CAUTION - RISK OF FIRE**  
This product requires installation by a qualified electrician. Before installing be sure to read all instructions and **TURN OFF POWER TO THE ELECTRICAL BOX.**

## Install the Housing with Adjustable Bars

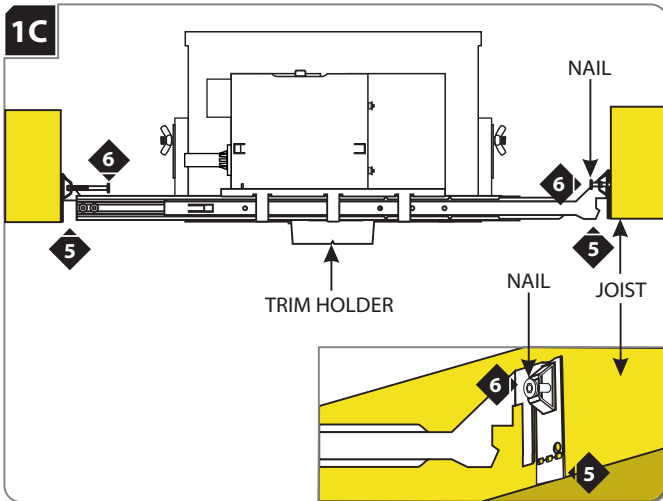


**NOTE:** Skip this section if installing the housing with butterfly brackets.

- 1 **Keep Tab for ceiling 1/2" to 3/4" thick.**  
When using adjustable hanger bars with 1/2" to 3/4" thick ceilings, leave the tab of the hanger bars in place.  
**Break off Tab for ceiling 3/4" or thicker.**  
When using adjustable hanger bars with 3/4" or thicker ceilings, remove the tab by bending it at the perforation.

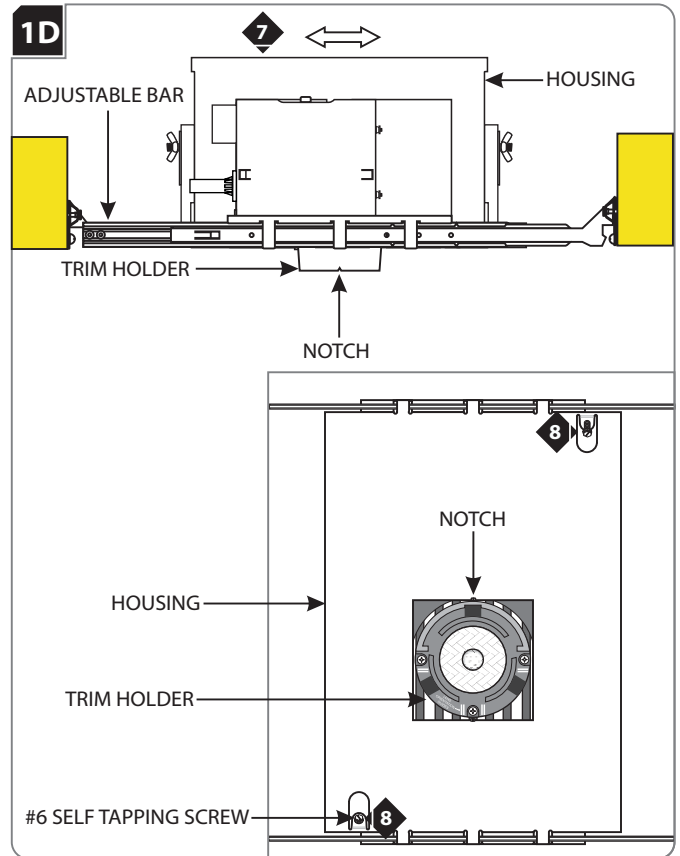


- 2 Slide the inner adjustable bar completely through the three housing clasps. Make sure the nail is on top.
- 3 Slide and push the outer adjustable bar completely onto the inner adjustable bar so that the tab clicks into place behind the stop point. This will prevent the adjustable bars from coming apart.
- 4 Repeat steps 2 & 3 for the other side of the housing.



**NOTE:** The adjustable bars can be mounted to joists that are spaced 16" - 24" apart.

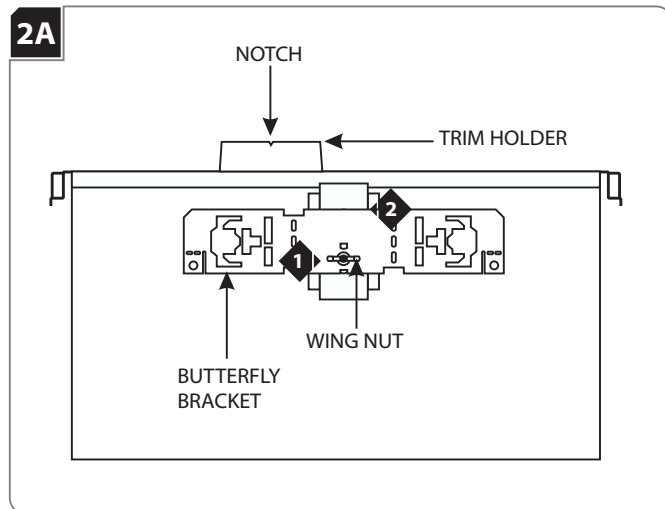
- 5 Align the bottom of the end plates with the bottom of the ceiling joists.
- 6 Level the adjustable bars and, with a hammer, tap the nails completely into the joists to secure the adjustable bars.



- 7 Adjust the trim holder position (horizontal position) by sliding the housing on adjustable bars.
- 8 When the desired location is achieved, tighten the two #6 self tapping screws to lock the housing onto the adjustable bars.

**NOTE:** Notches in trim holder can be used to align multiple housings using a laser or string.

## Install the Housing with Butterfly Brackets

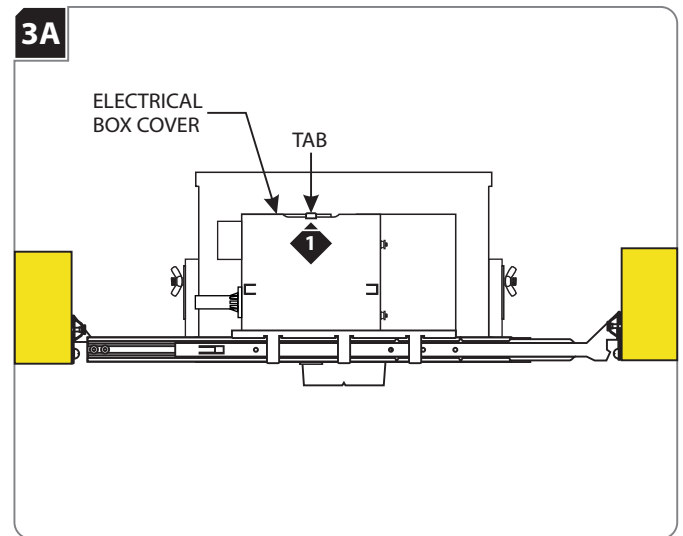


**NOTE:** Skip this section if installing the housing with adjustable bars.

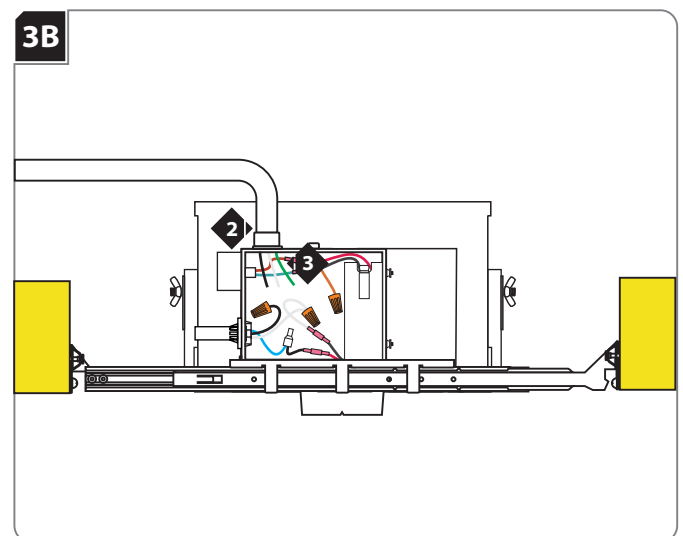
- 1 Slightly loosen the wing nut to slide the butterfly bracket up or down.
- 2 After achieving the proper location, tighten the wing nut to secure the butterfly bracket in place.
- 3 Repeat steps 1 and 2 on for the other butterfly bracket.
- 4 Utilize the butterfly brackets to install the housing in accordance with local electrical codes.

**NOTE:** Notches in trim holder can be used to align multiple housings using a laser or string.

## Connect Power to the Housing



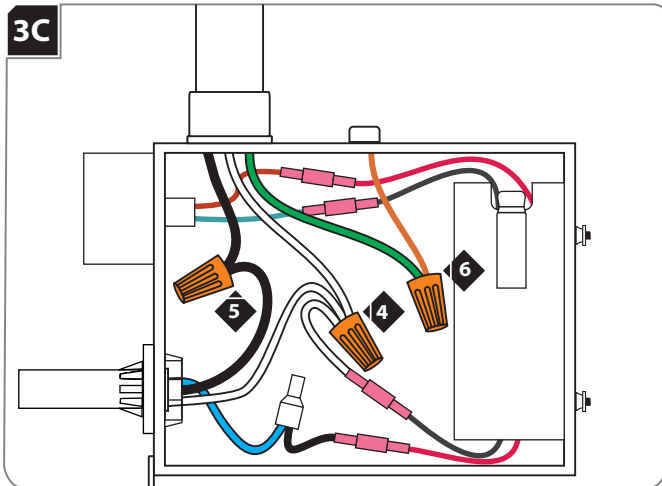
- 1 Push the tab on the housing electrical box up and remove the electrical box cover.



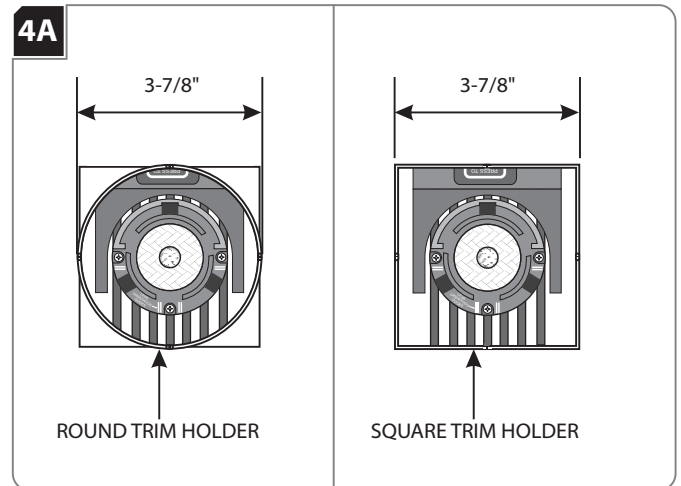
- 2 Install the conduit to the housing electrical box.
- 3 Run the power line wires into the housing electrical box.

**WARNING: RISK OF FIRE:** When using the housing electrical box for power feed through, use **MAX** 4 - #12 AWG, or 6 - #14 AWG branch circuit wires.

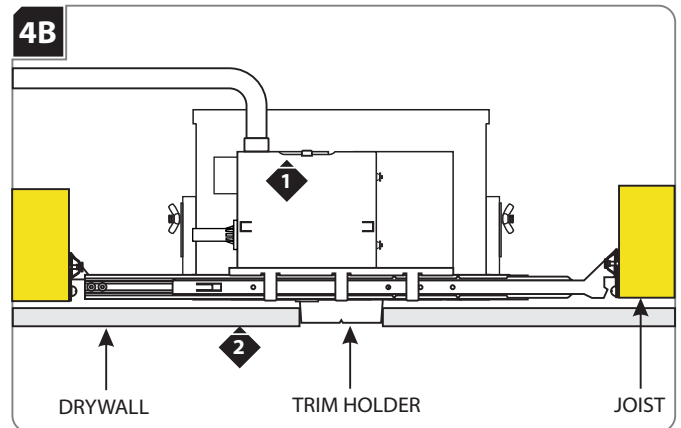
## Install Drywall and Plaster Ring



- 4 Connect the neutral power line wire to the white transformer wire with a wire nut.
- 5 Connect the hot power line wire to the black transformer wire with a wire nut.
- 6 Make sure that housing is grounded in accordance with local electrical codes.
- 7 Replace the electrical box cover. Make sure that the top edge of the cover snaps under the tab.



- 1 For round trims, mark a 3-7/8" diameter circle on drywall. Cut out the marked section. For square trims, mark a 3-7/8" square on drywall. Cut out the marked section.

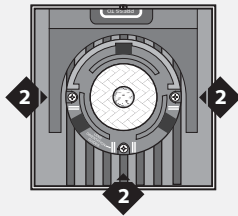


- 2 Align the cut out section of drywall with the trim holder and install drywall.

**WARNING: Risk of Fire:** The housing is not intended to be in contact with or covered with combustible materials and insulation. Do not install insulation within 3 inches of the housing sides or above in such a manner to entrap heat.

## Replacing the Lamp

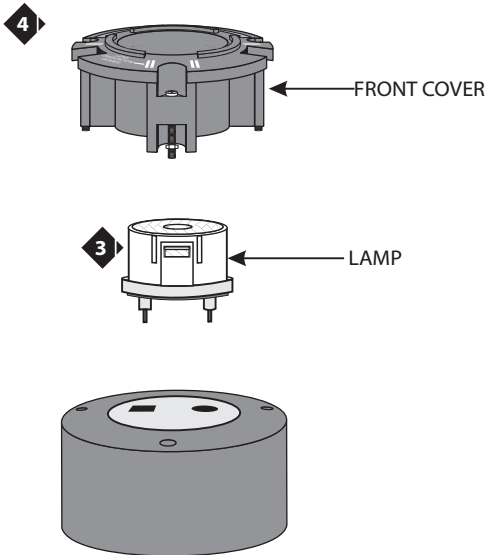
5A



**CAUTION:** To reduce the risk of a burn or electric shock during relamping, disconnect the power to the fixture.

- 1 Remove the trim from the fixture.
- 2 Loosen all three screws from the front cover and pull the LED lamp out..

5B



Use **ONLY 18 WATT** proprietary Element Lighting LED lamp.

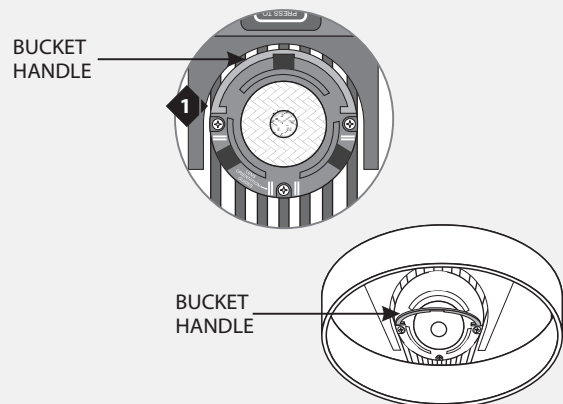


- 3 Line up the square and round pegs in the new lamp with the holes in the heatsink and push the new lamp into place.
- 4 Replace the front cover.
- 5 Reinstall the trim.

**NOTE:** If installing optional lenses, see page 6 for instructions before reinstalling the lamp assembly.

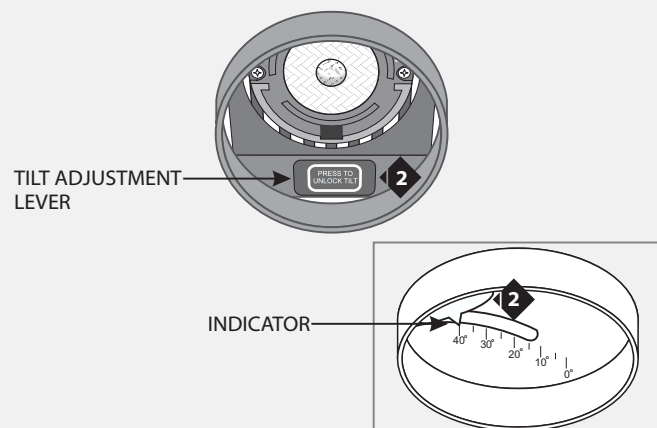
## Adjust the Lamp Housing

6A



- 1 To adjust the height, push up the lamp cartridge assembly to minimize glare and flash on the trim. Pull down the assembly using the bucket handle for maximum light output and efficiency .

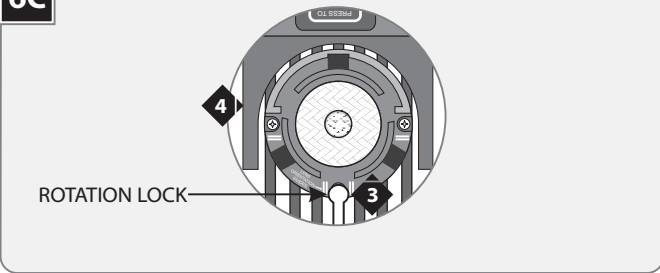
6B



**NOTE:** Lamp housing can tilt 40° vertically. Lock intervals are 2.5° apart.

- 2 To tilt the lamp housing, unlock the tilt adjustment lever by pressing where indicated using a finger or screwdriver and position the assembly until the desired angle is reached.

6C

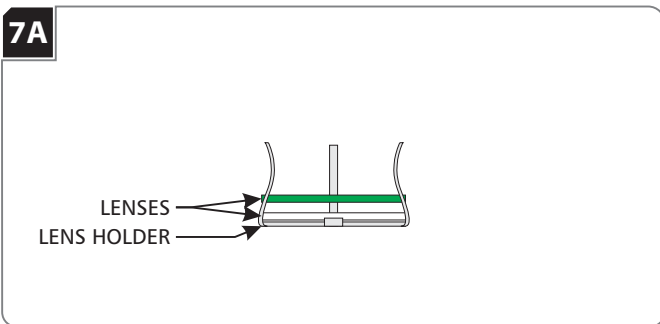


**NOTE:** Lamp housing can rotate 361° horizontally.

- 3 Pull the rotation lock down to unlock the lamp housing.
- 4 Rotate the lamp housing horizontally. When the desired position is achieved push the rotation lock up to lock the lamp housing in place.

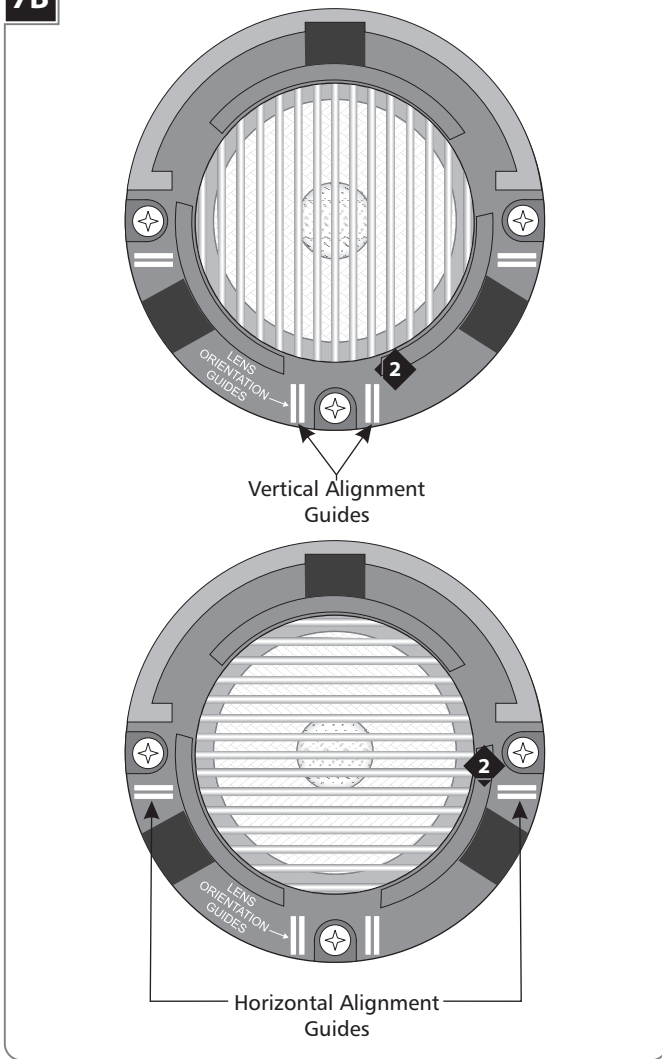
### Install the Lenses (Optional)

7A



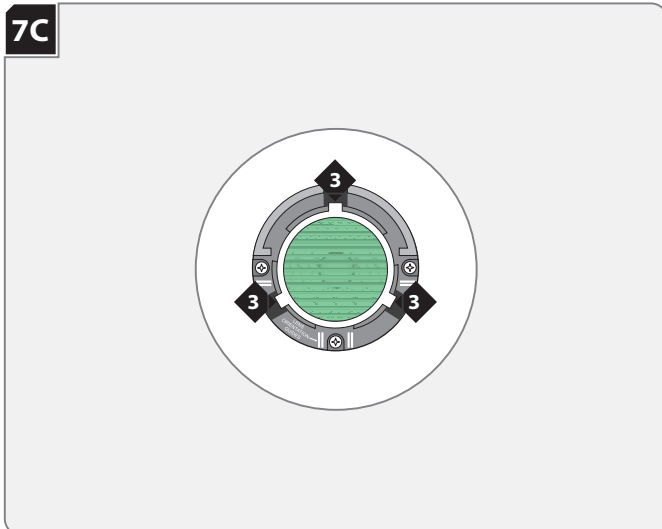
- 1 Place lenses (max. 2, optional) inside the lens holder.

7B



- 2 Use the lens orientation guides to align linear spread lenses vertically or horizontally.

7C



- 3 Line up the legs of the lens holder with the notches on the lamp holder and push the lens holder on.

## NOTES

## STATEMENT OF WARRANTY

Tech Lighting warrants all products manufactured by Tech Lighting to be free from defects in material and workmanship under normal use for a specified period after the date of original purchase as follows: 5 years for LED products; 3 years for Energy Star qualified products; 1 year for all other products. For details, visit our website at:

[www.techlighting.com/AboutUs#warranty](http://www.techlighting.com/AboutUs#warranty)

**SAVE THESE INSTRUCTIONS!**

**ELEMENT**   
a brand of **TECH LIGHTING**

7400 Linder Ave.  
Skokie, IL 60077  
847.410.4400

**[www.element-lighting.com](http://www.element-lighting.com)**

© 2008 Tech Lighting, L.L.C. All rights reserved. The "Element" graphic is a registered trademark of Element. Element reserves the right to change specifications for product improvements without notification.