

# BATH COLLECTION

## TL Reflection Mirror

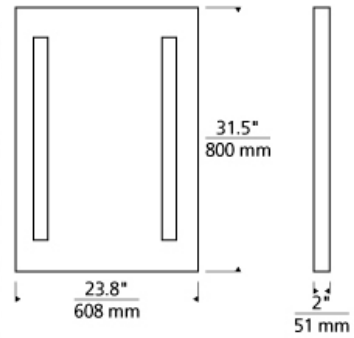


### DESCRIPTION

Rectangular mirror with imbedded sidelights provides task lighting. Incandescent version includes two 24 watt mini bi-pin base T5HO lamps and electronic ballast. LED version includes two 20 watt, 1100 lumen, 3000K LED module. ADA compliant.

### INSTALLATION

See detailed instructions for Reflection at tiella.com.



tl reflection mirror

### ORDERING INFORMATION

#### 700VNRFL LAMP

- LED830 LED 80 CRI 3000K 120V
- LED830-277 LED 80 CRI 3000K 277V



**TECH LIGHTING®**

7400 Linder Avenue T 847.410.4400  
 Skokie, Illinois 60077 F 847.410.4500

Tech Lighting, L.L.C.

700VNRFL _____
FIXTURE TYPE: _____
JOB NAME: _____
NOTES: _____
_____
_____



©2018 Tech Lighting, L.L.C. All Rights Reserved. The "Tech Lighting" graphic is a registered trademark of Tech Lighting, L.L.C. Tech Lighting reserves the right to change specifications for product improvements without notification.