

The Turbo outdoor LED bollard features a clean, cylindrical silhouette highlighted with decorative fins evenly spaced around the circumference. The Turbo bollard offers symmetric optics with beam spread options of 20° or 40° to tailor the installation to each unique setting.

### High quality LM80-tested LEDs

for consistent long-life performance and color

### Universal 120-277V driver with integral transient surge protection at 2.5KV per ANSI and IEEE standards

### Outstanding protection against the elements:

- Marine-grade powder coat finishes
- Stainless Steel mounting hardware
- Impact-resistant, UV stabilized frosted acrylic lensing

## SPECIFICATIONS

DELIVERED LUMENS	1800
WATTS	25
VOLTAGE	Universal 120-277V, with integral transient 2.5kV surge protection (driver)
SECONDARY SURGE PROTECTOR	10kA
DIMMING	0-10, ELV
LIGHT DISTRIBUTION	Symmetric
OPTICS	20° or 40°
MOUNTING OPTIONS	Bolt
PERFORMANCE OPTIONS	Photocontrol / In-Line Fuse
CCT	3000K or 4000K
CRI	80+
COLOR BINING	3 Step
BUG RATING	N/A
DARK SKY	Compliant
WET LISTED	IP65
GENERAL LISTING	ETL, Title 24
START TEMP	-30°C
FIELD SERVICEABLE LED	Yes
CONSTRUCTION	Aluminum
HARDWARE	Stainless Steel
FINISH	Marine Grade Powder Coat
LED LIFETIME	L70; 70,000 Hours
WARRANTY*	5 Years

\* Visit [techlighting.com](http://techlighting.com) for specific warranty limitations and details.



TURBO BOLLARD  
shown in bronze

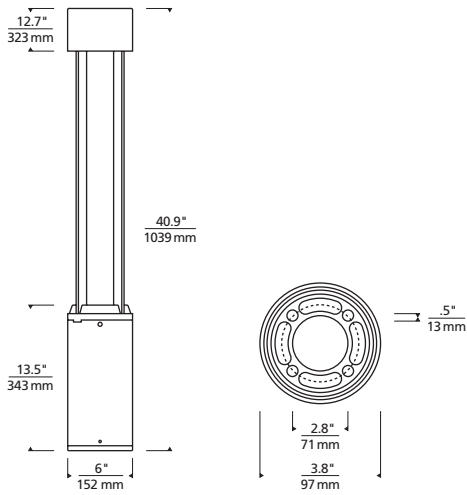


TURBO BOLLARD  
shown in charcoal

## ORDERING INFORMATION

700OBTUR	CRI/CCT	LENGTH	BEAM SPREAD	LENS	FINISH	VOLTAGE	DISTRIBUTION	OPTIONS
830	80 CRI, 3000K	42 42"	20 20° NARROW	C FLAT CLEAR	Z BRONZE	UNV 120V-277V	S SYMMETRIC	NONE
840	80 CRI, 4000K		40 40° WIDE		H CHARCOAL			PC BUTTON PHOTOCONTROL
								LF IN-LINE FUSE
								PCLF BUTTON PHOTOCONTROL & IN-LINE FUSE

# TURBO BOLLARD



Turbo Bollard

Anchor Plate Bolt Pattern

## PHOTOMETRICS\*

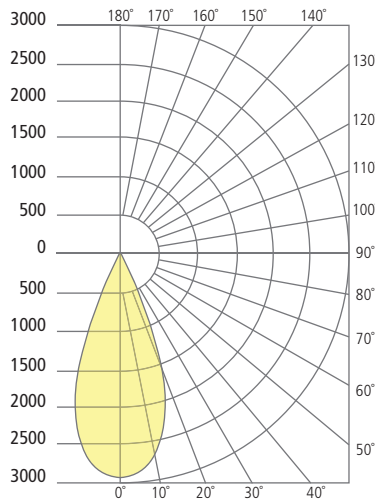
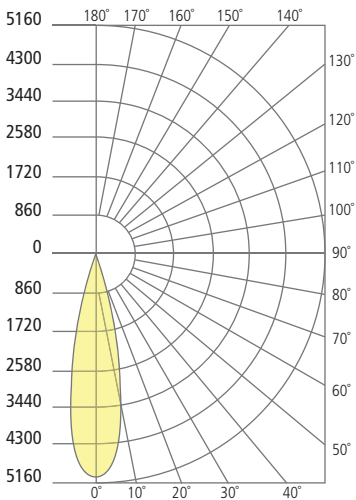
\*For latest photometrics, please visit [www.techlighting.com/OUTDOOR](http://www.techlighting.com/OUTDOOR)

### TURBO BOLLARD 20°

Total Lumen Output: 1800  
 Total Power: 25  
 Luminaire Efficacy: 72  
 Color Temp: 3000K  
 CRI: 80+  
 BUG Rating: N/A

### TURBO BOLLARD 40°

Total Lumen Output: 1800  
 Total Power: 25  
 Luminaire Efficacy: 72  
 Color Temp: 3000K  
 CRI: 80+  
 BUG Rating: N/A



## PROJECT INFO

FIXTURE TYPE & QUANTITY

JOB NAME & INFO

NOTES

---



---



---



---



---



---



© 2016 Tech Lighting, L.L.C. All rights reserved. The "Tech Lighting" graphic is a registered trademark of Tech Lighting, L.L.C. Tech Lighting reserves the right to change specifications for product improvements without notification.



GENERATION BRANDS  
 7400 Linder Avenue, Skokie, Illinois 60077  
 T 847.410.4400 F 847.410.4500