

Kiev Pendant

700TDKIELP_

1.1



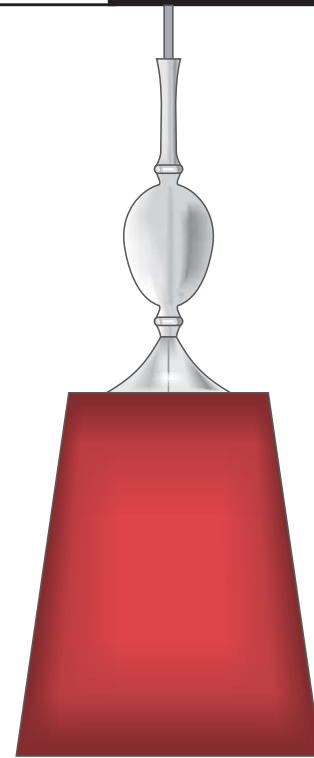
PENDANTS

GENERAL PRODUCT INFORMATION:

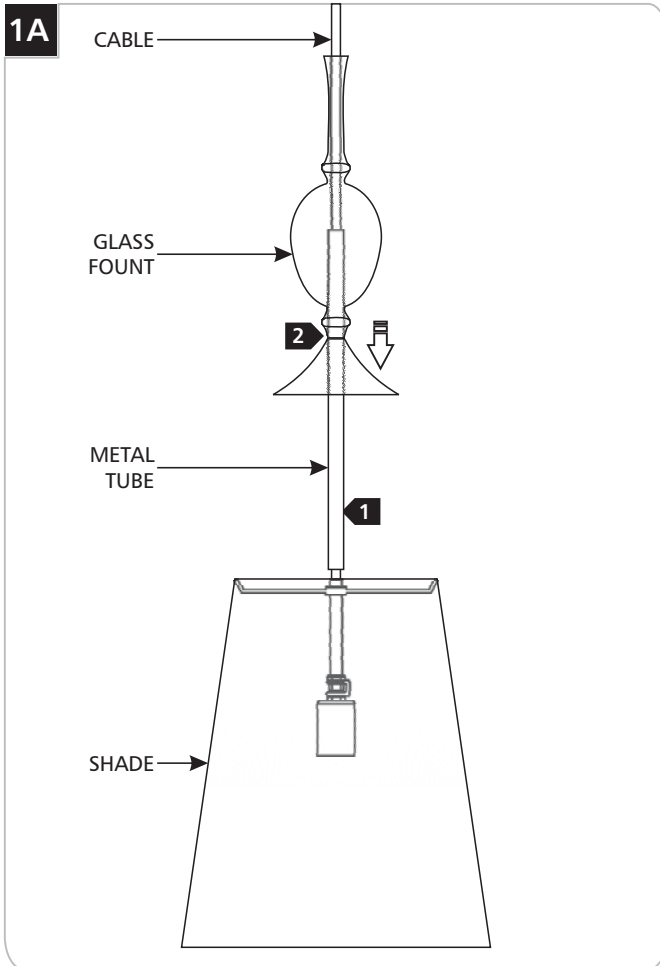


This product is suitable for damp locations.

This product can be dimmed with a LED or TRIAC dimmer. Consult lamp manufacturer for additional information.

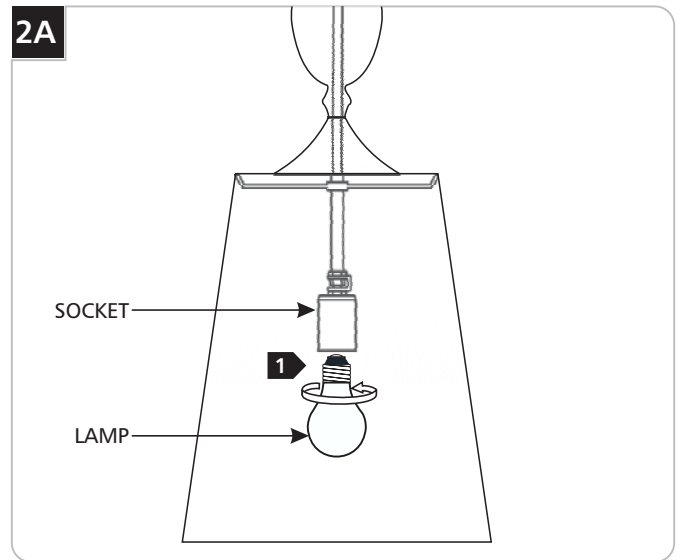


Assemble the Fixture



- 1** Slide the metal tube down the cable to the shade.
- 2** Feed the cable through the glass fount and slide the fount down until it rests on the shade.
- 3** Follow the instructions provided with the canopy to install the fixture to the ceiling.

Install the Lamp



CAUTION: To reduce the risk of a burn or electric shock during relamping, disconnect the power to the fixture.

Refer to fixture marking for lamp information.

- 1** Screw the lamp base completely into the socket.

SAVE THESE INSTRUCTIONS!



7400 Linder Ave, Skokie, IL 60077
847.410.4400

www.2thousanddegrees.com

© 2017 Tech Lighting, L.L.C. All rights reserved. The "2thousand degrees" graphic is a registered trademark of 2thousand degrees. 2thousand degrees reserves the right to change specifications for product improvements without notification.

A Generation Brands Company