

Coronado Wall

700WSCOR_

1.2



GENERAL PRODUCT INFORMATION:



This product can mount to either a 4" square electrical box with round plaster ring or an octagon electrical box.

This product is suitable for damp locations.

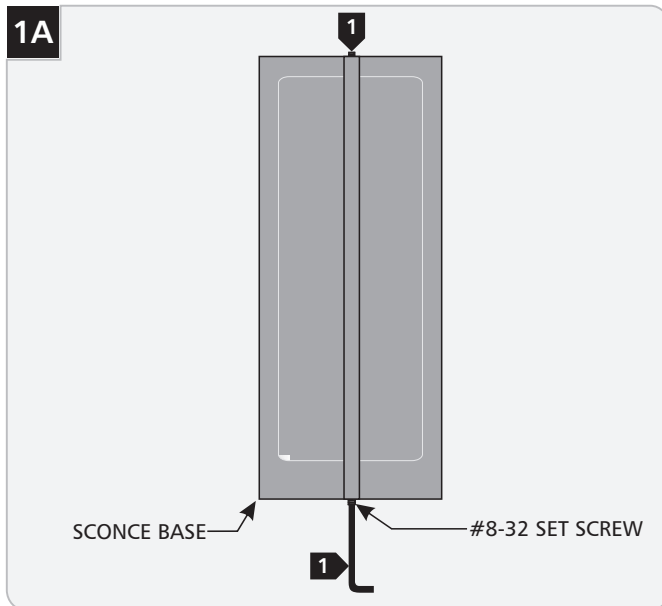
This product can be dimmed with a standard incandescent dimmer.



CAUTION — RISK OF FIRE

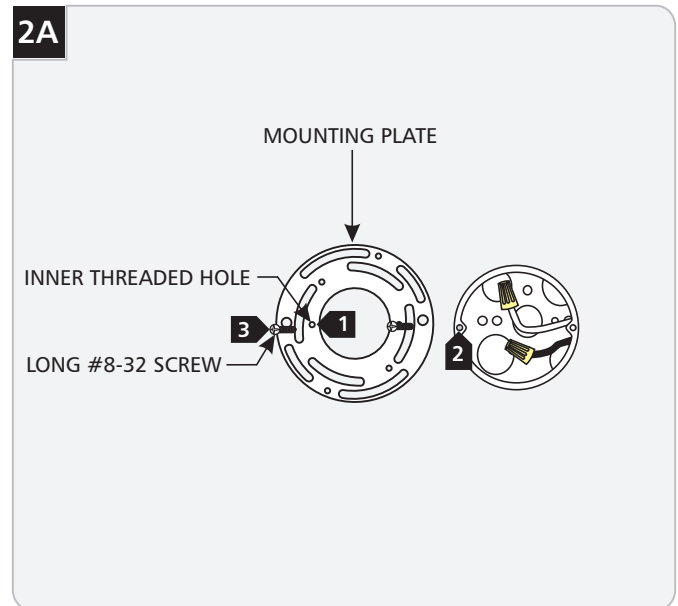
This product requires installation by a qualified electrician. Before installing be sure to read all instructions and **TURN THE POWER TO THE ELECTRICAL BOX OFF.**

Remove the Shade

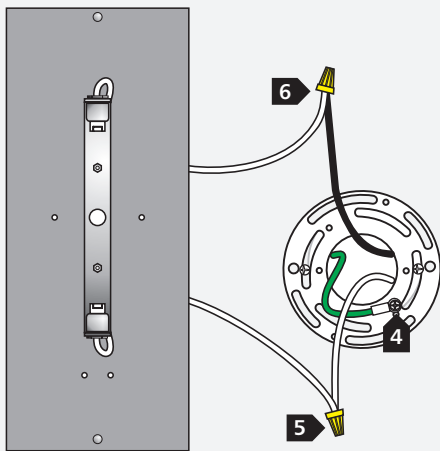


- 1 Back out both #8-32 set screws without removing them, using the provided 5/64" Allen wrench.
- 2 Pull the shade off of the sconce base.

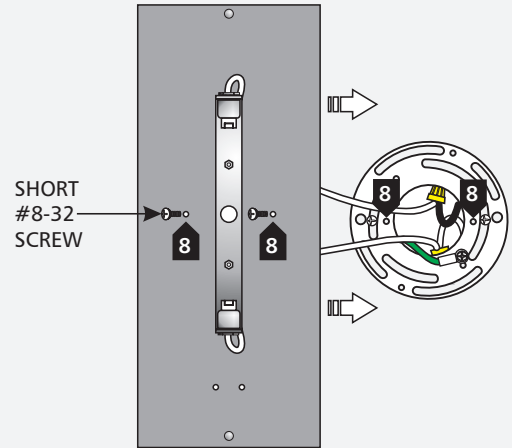
Mount the Sconce to the Electrical Box



- 1 Make sure the two inner threaded holes on the mounting plate are positioned horizontally.
- 2 Line up two mounting plate slots with the two electrical box holes.
- 3 Level the mounting plate horizontally and secure it to the electrical box with the two Long #8-32 screws provided.

2B

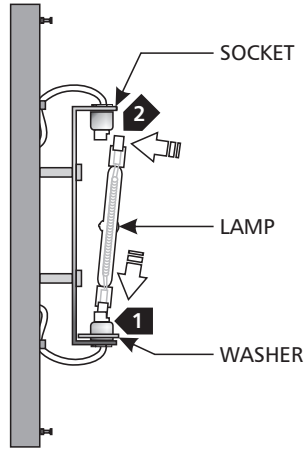
- 4** Connect the green ground wire terminal ring to the mounting plate with provided screw. Make sure that the mounting plate is grounded according to local electrical codes.
- 5** Connect the neutral power line wire to one of the fixture wires with a wire nut.
- 6** Connect the hot power line wire to the other fixture wire with a wire nut.

2C

- 7** Feed the wires into the electrical box.
- 8** Line up the screw holes in the sconce base with the inner screw holes in the mounting plate.
- 9** Hold the sconce base in place and secure it to the inner screw holes with the two short #8-32 screws provided.

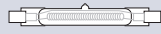
Install the Lamp and Glass Shade

3A



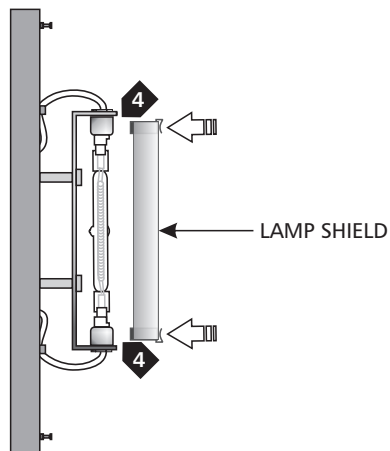
NOTE: Use only your fingers and a soft cloth to replace the lamp.

Use **MAX 100 Watt**, type T3, 118mm Double-Ended Halogen Lamp.



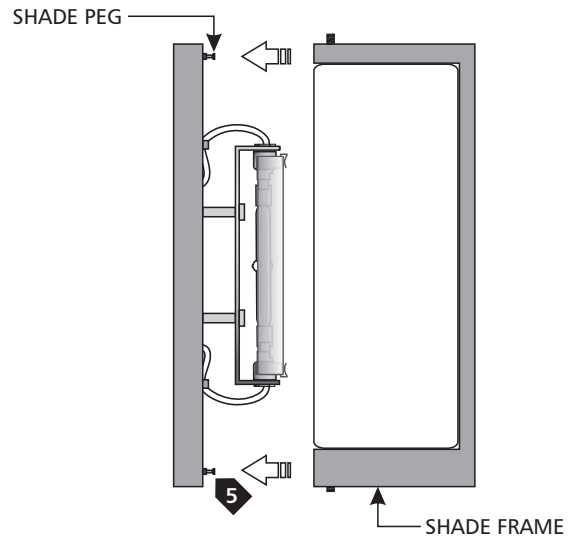
- 1 Place the eccentric washer onto the bottom socket, with the flat edge of the washer facing the mounting plate. **Note:** The washer is not needed if mounting the fixture horizontally.
- 2 Insert one end of the lamp into the bottom socket and push it down to compress the spring slightly.
- 3 Line up the top of the lamp with the top socket and gently release the lamp into the top socket.

3B



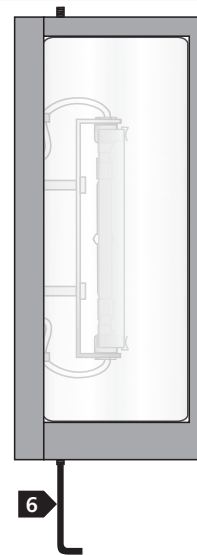
- 4 Push the lamp shield clips onto the lamp bases.

3C



- 5 Line up the shade pegs on the sconce base with the holes in the shade frame and slide the shade into place.

3D



- 6 Tighten both #8-32 set screws using the provided 5/64" Allen wrench. Gently tug on the shade to verify that it is secured.

IMPORTANT SAFETY INSTRUCTIONS

To reduce the risk of fire, electrical shock, exposure to excessive UV radiation, or injury to person:

- Do not look directly at the lighted lamp.
- Do not remain in light if skin feels warm.
- Risk of fire: Use only the type of lamp and maximum wattage indicated in this instruction manual.
- Never cover the halogen lamp with anything other than a Tech Lighting lamp shield and never place flammable material close to your fixture.
- Never turn the fixture on and off by connecting and disconnecting the halogen lamp.
- Do not touch the fixture shades or lamp shield while the fixture is on. These surfaces may be HOT.

Halogen Lamp General Information

- A new halogen lamp may smoke slightly when it is used for the first time. This is perfectly normal; the protective coating is simply being vaporized.

Tips For Prolonging Halogen Lamp Life

- Avoid touching the lamp with bare hands during installation. Any contaminant, even the oil from your hands can deteriorate the lamp. Rubbing alcohol can be used to remove any contaminant.
- Do not run the lamps at full power when you do not need to. However, if dimming the fixture for an extended period of time, occasionally bring the light up to full brightness for a few minutes to complete the halogen cycle.

SAVE THESE INSTRUCTIONS!



TECH LIGHTING®

7400 Linder Ave, Skokie, IL 60077

847.410.4400

www.techlighting.com

© 2008 Tech Lighting, L.L.C. All rights reserved. The "Tech Lighting" graphic is a registered trademark of Tech Lighting, L.L.C. Tech Lighting reserves the right to change specifications for product improvements without notification.

A Generation Brands Company