

FLUSH & SEMI-FLUSH MOUNT

TL 90 Ceiling



DESCRIPTION

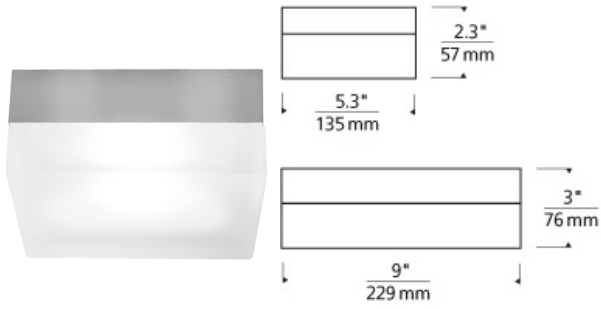
Square shaped glass shade mounts flush to plated formed base. Provides general light. May be mounted on the ceiling or wall. Available in two lamp configurations; incandescent and fluorescent. Large incandescent includes two 120 volt, 40 watt G9 base halogen lamps; large fluorescent includes two 13 watt 2GX7 base twin tube lamps and electronic ballast; small incandescent includes one 120 volt, 40 watt G9 base halogen lamp. Incandescent version dimmable with a standard incandescent dimmer. Suitable for wet locations. ADA compliant

INSTALLATION

Mounts to a standard 4" square junction box with round plaster ring (provided by electrician).

WEIGHT

8.1lb / 3.67kg ±



frost



90 large

90 small

ORDERING INFORMATION

700FM90	SHAPE OR SIZE	COLOR	FINISH	LAMP
L	LARGE	FROST	Z ANTIQUE BRONZE	INCANDESCENT 120V
S	SMALL		S SATIN NICKEL	-CF COMPACT FLOURESCENT 120V
				-CF277 COMPACT FLUORESCENT 277V
				-PSUNV COMPACT FLUORESCENT PROGRAMMED START 120V-277V

Compact fluorescent lamp option available only with Large Size.

The standard compact fluorescent lamp option is not compatible with occupancy sensors. To customize the compact fluorescent lamp option for use with occupancy sensors, please contact the Tech Lighting Quotes Department, quotes@generation-brands.com, for details.



TECH LIGHTING®

7400 Linder Avenue
Skokie, Illinois 60077

T 847.410.4400
F 847.410.4500

Tech Lighting, L.L.C.

700FM90 _____
FIXTURE TYPE: _____
JOB NAME: _____
NOTES: _____



©2015 Tech Lighting, L.L.C. All Rights Reserved. The "Tech Lighting" graphic is a registered trademark of Tech Lighting, L.L.C. Tech Lighting reserves the right to change specifications for product improvements without notification.