

LINE - VOLTAGE PENDANTS / SUSPENSION

Echo Grande Pendant



DESCRIPTION

Transparent cylinder shade over a white case glass cylinder. Black, satin nickel, and white finish options highlighted with three satin nickel cylinder details and clear cable; antique bronze finish highlighted with three antique bronze cylinder details and brown cable. Includes 120 volt, 75 watt or equivalent medium base A19 lamp or 32 watt GX24Q-3 base triple tube compact fluorescent lamp (electronic ballast included). May also be lamped with GX24Q-3 base 26 watt triple tube compact fluorescent lamp (not included). Fixture is provided with six feet of field-cutable cable. Incandescent version dimmable with standard incandescent dimmer.

INSTALLATION

This product can mount to either a 4" square electrical box with round plaster ring or an octagon electrical box.

OTHER

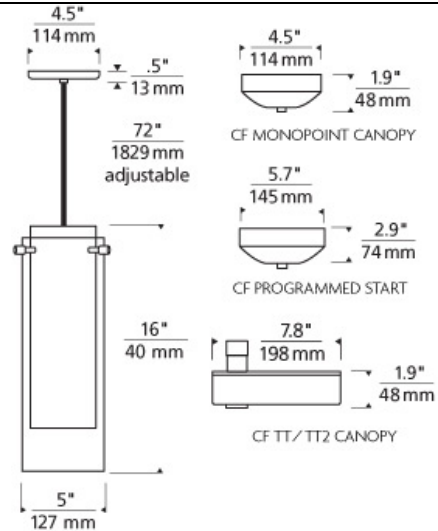
TD includes 4.5" Round Canopy.
Antique Bronze and Black Finish Only Available on TD.
CF277 Lamp Only Available on TD.

WEIGHT

4.5lb / 2.04kg ±



amber



amber



aquamarine



clear



havana brown



smoke



steel blue

ORDERING INFORMATION

700 SYSTEM	ECGP	COLOR	FINISH	LAMP
TD	LINE-VOLTAGE PENDANTS/SUSPENSION	A AMBER	Z ANTIQUE BRONZE	INCANDESCENT 120V
TT	SINGLE-CIRCUIT T-TRAK	Q AQUAMARINE	B BLACK	-CF COMPACT FLUORESCENT 120V
TT2	TWO-CIRCUIT T-TRAK	C CLEAR	S SATIN NICKEL	-CF277 COMPACT FLUORESCENT 277V
		B HAVANA BROWN	W WHITE	-PSUNV COMPACT FLUORESCENT PROGRAMMED START 120V-277V
		K SMOKE		
		U STEEL BLUE		

For use on Halo*, Juno* or Lightolier* 120 volt single-circuit track, order as follows:

Incandescent: Order pendant as **700TD** and order appropriate [120V Track Adapter](#)

Compact Fluorescent: Substitute 700TD with one of the following: **700TH** (fits Halo*), **700TJ** (fits Juno*) or **700TI** (fits Lightolier*) and by substituting the finish with one of the following: **BZ** (Black/Antique Bronze), **BS** (Black/Satin Nickel), **WZ** (White/Antique Bronze) or **WS** (White/Satin Nickel).

*Tech Lighting is not affiliated, nor is it endorsed by any of the companies listed nor does Tech Lighting distribute any of their products.



7400 Linder Avenue T 847.410.4400
Skokie, Illinois 60077 F 847.410.4500

Tech Lighting, L.L.C.

700 ____ ECGP ____

FIXTURE TYPE: _____

JOB NAME: _____

NOTES: _____



©2015 Tech Lighting, L.L.C. All Rights Reserved. The "Tech Lighting" graphic is a registered trademark of Tech Lighting, L.L.C.
Tech Lighting reserves the right to change specifications for product improvements without notification.