

# LOW-VOLTAGE PENDANTS

## Mini Dillon Pendant

### DESCRIPTION

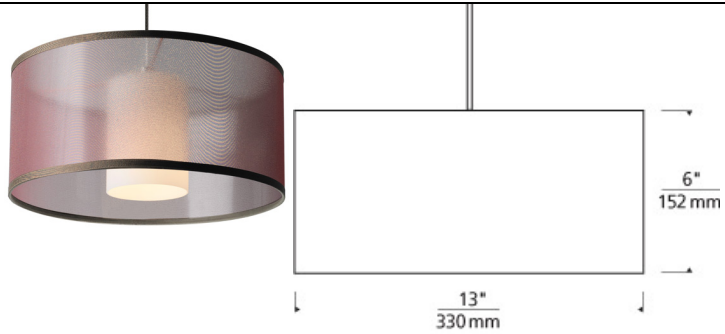
Translucent organza drum with inner glass cylinder to provide a soft wash of light. Includes low-voltage, 50 watt halogen bi-pin lamp or 8 watt replaceable 500 lumen 80 CRI 3000K LED SORAA® module and six feet of field-cutttable suspension cable.

### INSTALLATION

Socket terminates with FreeJack male connector, which may be installed into a system connector. Elements ordered with a system prefix include a connector for that system.

### WEIGHT

1.75lb / 0.79kg ±



brown



brown

white

### ORDERING INFORMATION

700 SYSTEM	MDLNW	COLOR	FINISH	LAMP
FJ	FREEJACK	N BROWN	Z ANTIQUE BRONZE	12 VOLT HALOGEN
MP	MONOPOINT	W WHITE	C CHROME	-LEDS830 12 VOLT LED 80 CRI 3000K
MO	MONORAIL		S SATIN NICKEL	-24 24 VOLT HALOGEN
MO2	TWO-CIRCUIT MONORAIL			

Note: MP includes 4" Round Flush Canopy. Note: MP includes 4 Round Flush Canopy.

When installing LED option on MO2 only magnetic transformers may be used.



**TECH LIGHTING®**

7400 Linder Avenue      T 847.410.4400  
 Skokie, Illinois 60077      F 847.410.4500

**Tech Lighting, L.L.C.**

700 \_\_\_\_ MDLNW \_\_\_\_

FIXTURE TYPE: \_\_\_\_\_

JOB NAME: \_\_\_\_\_

NOTES: \_\_\_\_\_

\_\_\_\_\_

\_\_\_\_\_



©2015 Tech Lighting, L.L.C. All Rights Reserved. The "Tech Lighting" graphic is a registered trademark of Tech Lighting, L.L.C. Tech Lighting reserves the right to change specifications for product improvements without notification.