

Beacon

700TDBCNP\_

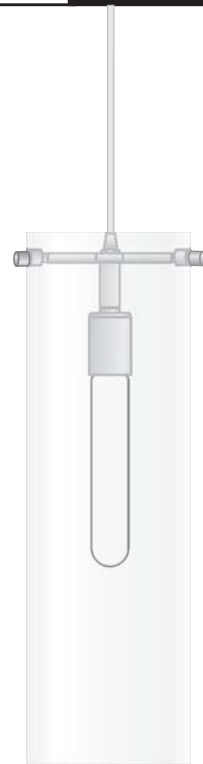
1.1



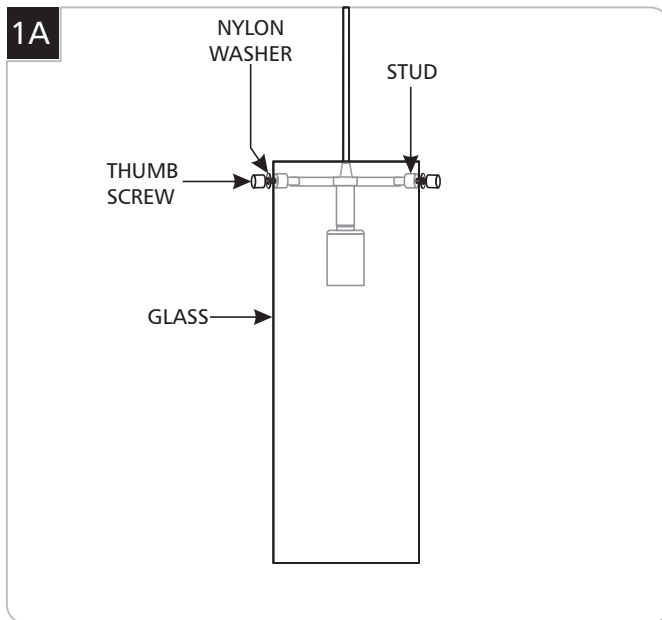
GENERAL PRODUCT INFORMATION:

This product is suitable for damp locations.

This product can be dimmed with a standard incandescent dimmer.

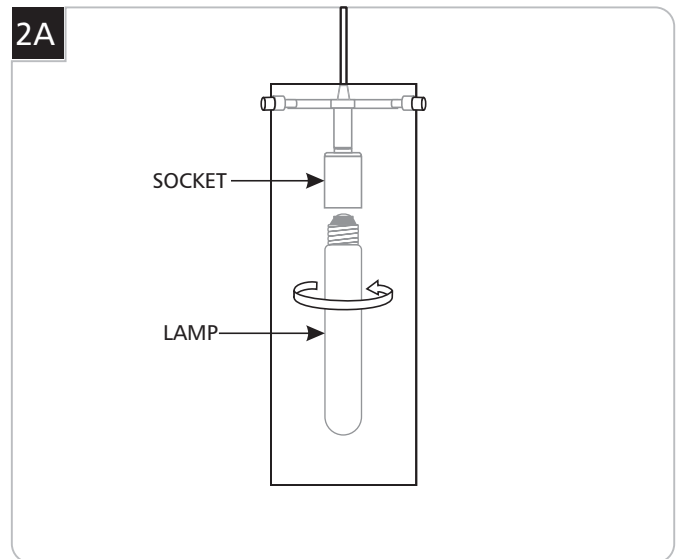


Install the Glass



- 1 Line up the holes in the glass with the arms on the socket base.
- 2 Place the nylon washers onto the thumb screws and screw them into the arms on the socket base.

Install the Lamp



**CAUTION:** To reduce the risk of a burn or electric shock during relamping, disconnect the power to the fixture.

Use MAX 75 Watt Type T9 Classic Edison E26 base incandescent lamp.



- 1 Screw the lamp into the socket.

SAVE THESE INSTRUCTIONS!



7400 Linder Ave, Skokie, IL 60077

847.410.4400

[www.techlighting.com](http://www.techlighting.com)

© 2015 Tech Lighting, L.L.C. All rights reserved. The "Tech Lighting" graphic is a registered trademark of Tech Lighting, L.L.C. Tech Lighting reserves the right to change specifications for product improvements without notification.

A Generation Brands Company