

# Sedona Wall

700WSSDN\_

1.0



## WALL COLLECTION

### GENERAL PRODUCT INFORMATION:

This product is suitable for damp locations.

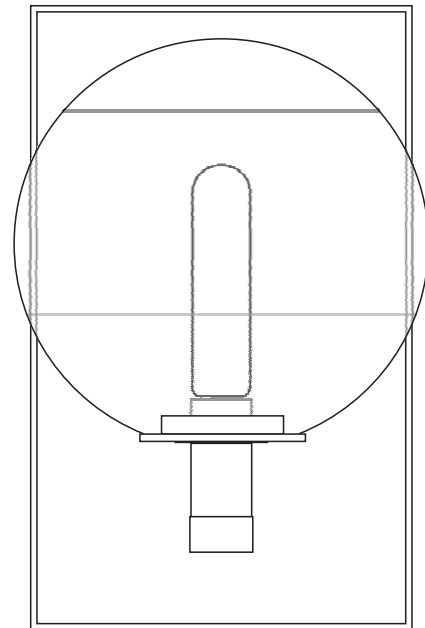


These fixtures are intended to be installed utilizing NEC compliant junction boxes.

This product can be dimmed with a LED or TRIAC dimmer. Consult lamp manufacturer for additional information.

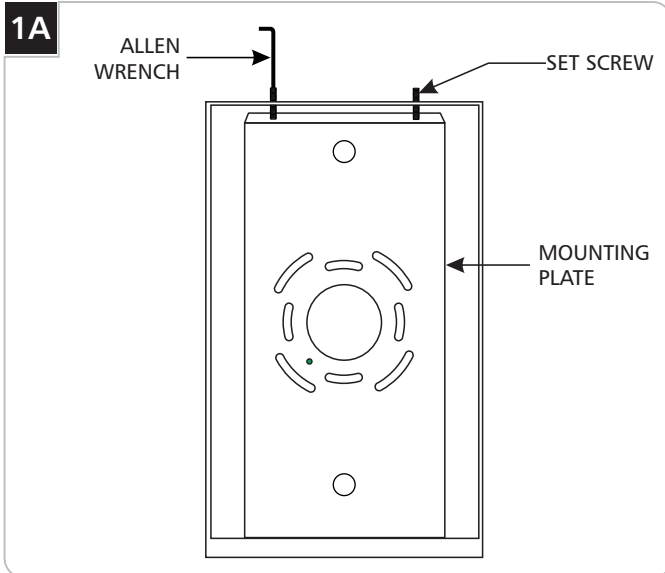
This product may be mounted in either the upward or downward position.

This instruction shows a typical installation.

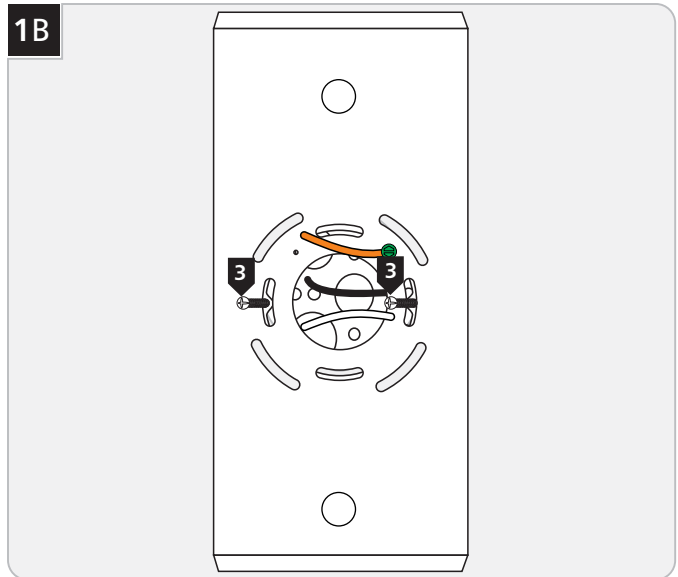


**CAUTION - RISK OF FIRE**  
 This product must be installed in accordance with the applicable installation code by a person familiar with the construction and operation of the product and the hazards involved.  
 Use minimum 90°C supply conductors.

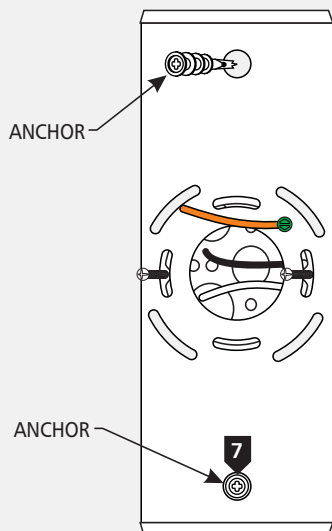
### Install the Fixture



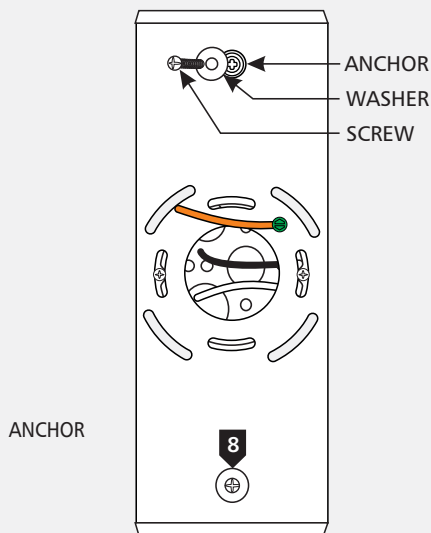
- 1** With the Allen wrench provided, back out (do not fully remove) the set screw at the base of the fixture.
- 2** Remove the mounting plate from the back of the fixture.



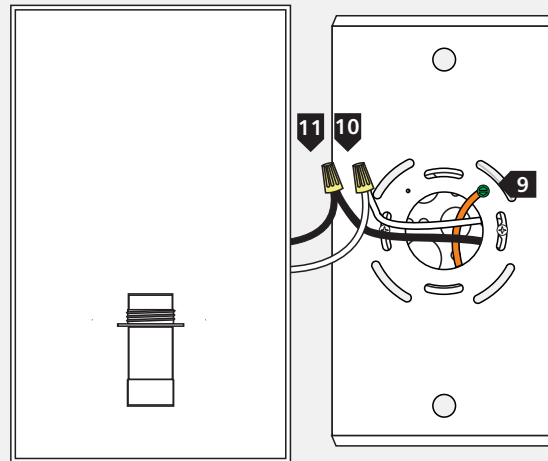
- 3** Level the mounting plate and secure it to the electrical box with the two #8-32 screws provided.

**1C**

- 4** Verify that the mounting plate is level before continuing.
- 5** Line an anchor tip with the center of an anchor hole, and push the anchor into the wall up to the threads.
- 6** Screw the anchor in the rest of the way with a Phillips-head screwdriver.
- 7** Repeat for the other anchor hole.

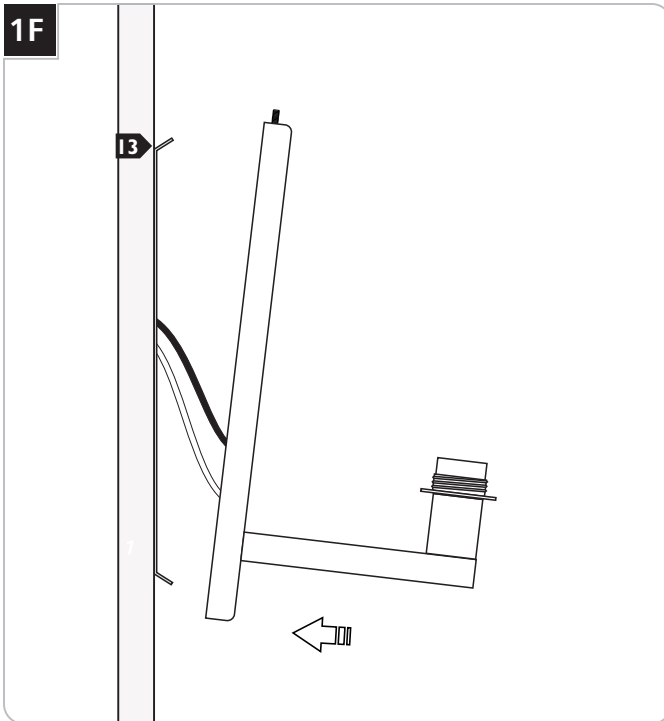
**1D**

- 8** Slide a #8 screw through a washer, and screw it into an anchor to secure the fixture base to the wall. Repeat for the other anchor.

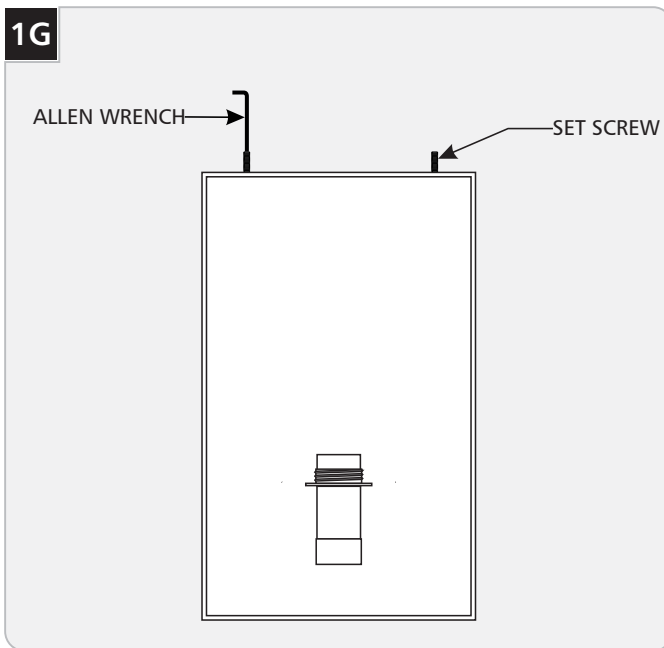
**1E**

- 9** Connect the mounting plate ground wire to a suitable ground according to local electrical codes.
- 10** Connect the white fixture wire to the neutral power line wire with a wire nut.
- 11** Connect the black fixture wire to the hot power line wire with a wire nut.

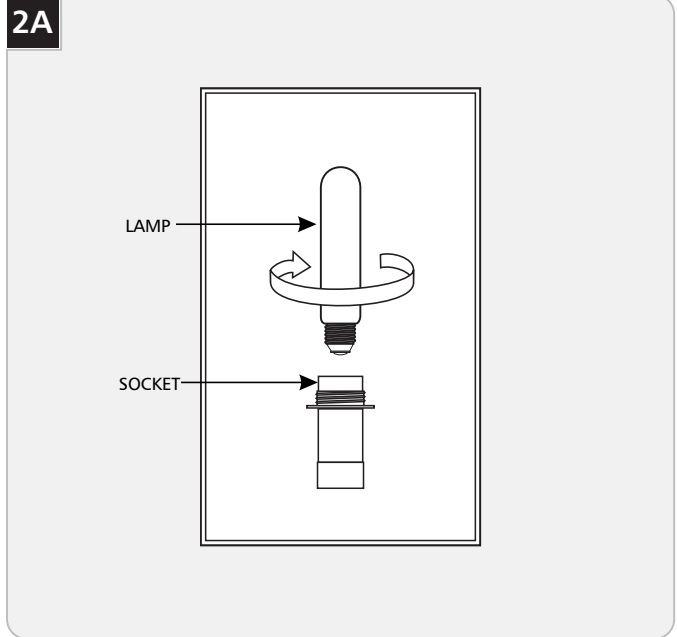
## Install the Lamp and Diffuser



- 12** Properly place all wires and wire nut connections into the electrical box.
- 13** Depending on the orientation of the fixture, hook the side without set screws to the mounting plate and swing the end with the set screws toward the plate until it is flush with the wall.



- 14** With the allen wrench, tighten the set screws to secure the fixture to the mounting plate.

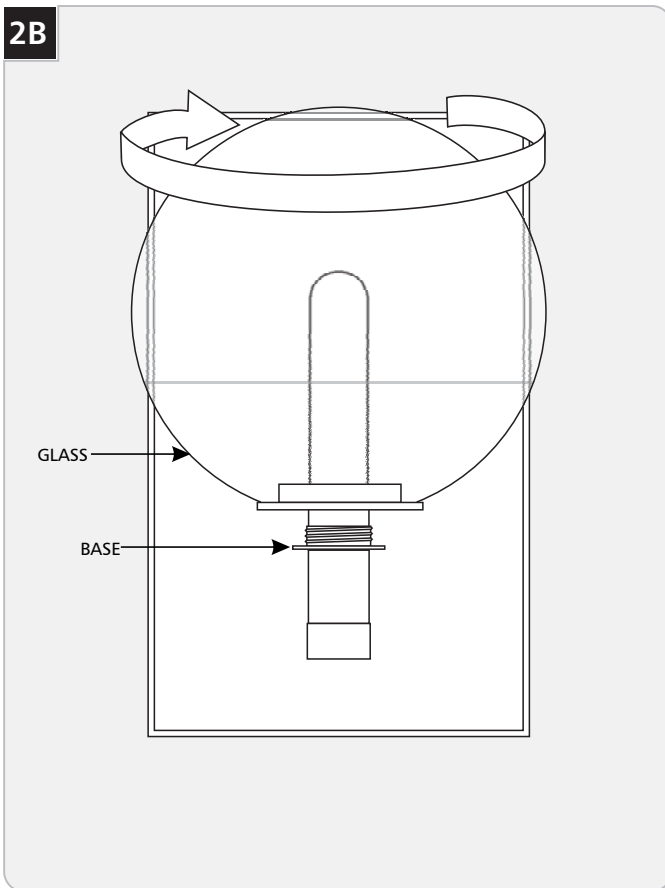


**CAUTION:** To reduce the risk of a burn or electric shock during relamping, disconnect the power to the fixture.

Refer to fixture marking for lamp information

- 1** Screw the lamp into the socket.

2B



**CAUTION: DO NOT OVER TIGHTEN** the glass. This may break the glass resulting in injury.

2 Gently screw the glass onto it's base.

**SAVE THESE INSTRUCTIONS!**



**TECH LIGHTING®**

7400 Linder Ave, Skokie, IL 60077

847.410.4400

[www.techlighting.com](http://www.techlighting.com)

© 2012 Tech Lighting, L.L.C. All rights reserved. The "Tech Lighting" graphic is a registered trademark of Tech Lighting, L.L.C. Tech Lighting reserves the right to change specifications for product improvements without notification.

A Generation Brands Company