

Gambit Chandelier

700GMB_ 1.3



GENERAL PRODUCT INFORMATION:

These fixtures are intended to be installed utilizing NEC compliant junction boxes.



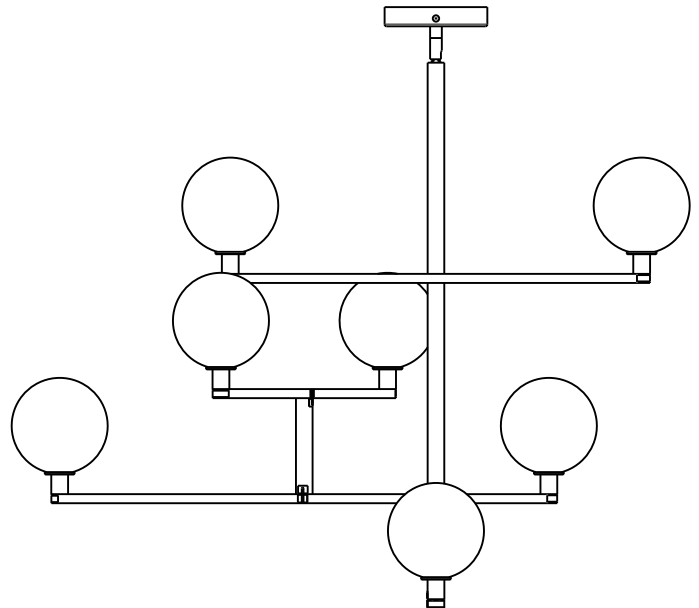
Incandescent version may be dimmed with a standard incandescent dimmer. LED version may be dimmed with a LED dimmer. Consult lamp manufacturer for additional information.

This product is suitable for damp locations.

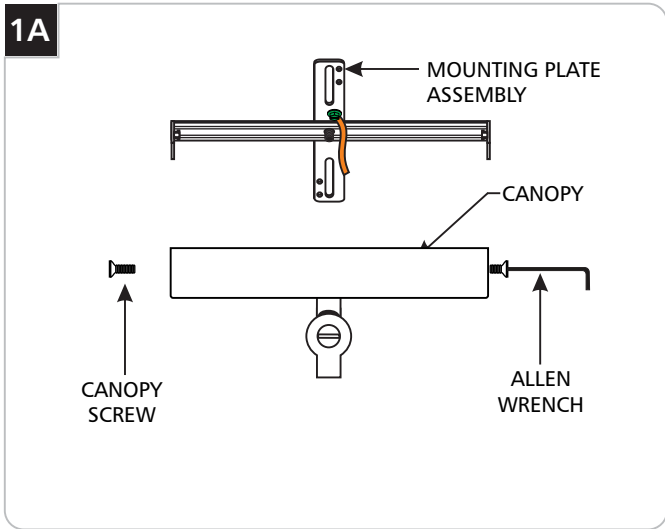
This instruction shows a typical installation.

CAUTION - RISK OF FIRE
 This product must be installed in accordance with the applicable installation code by a person familiar with the construction and operation of the product and the hazards involved.
 Use minimum 90°C supply conductors.

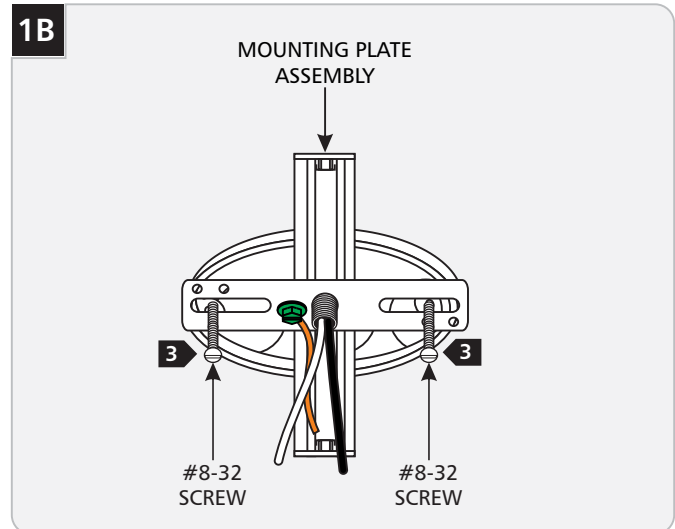
Two Person Installation Recommended



Install the Mounting Plate



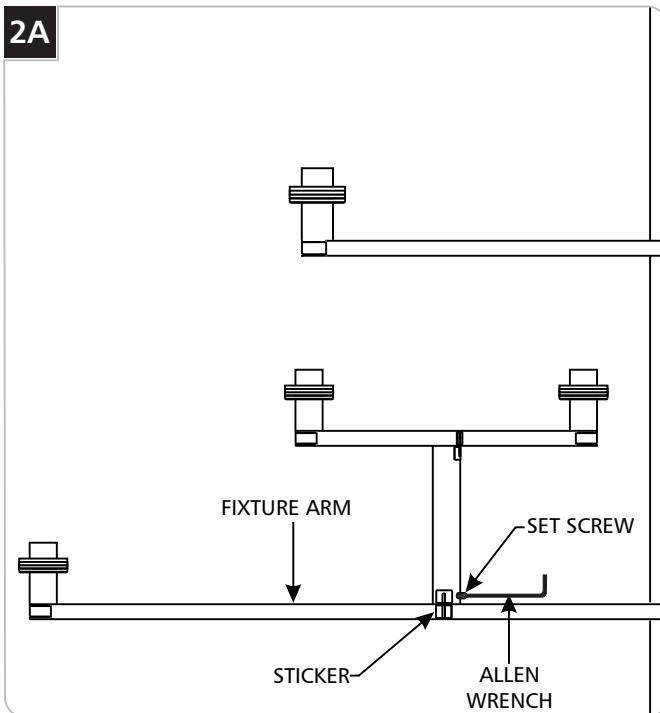
- 1 Remove the canopy screws using the provided Allen Wrench.
- 2 Remove the mounting plate from the canopy.



- 3 Secure the mounting plate to the electrical box with the #8-32 screws provided.

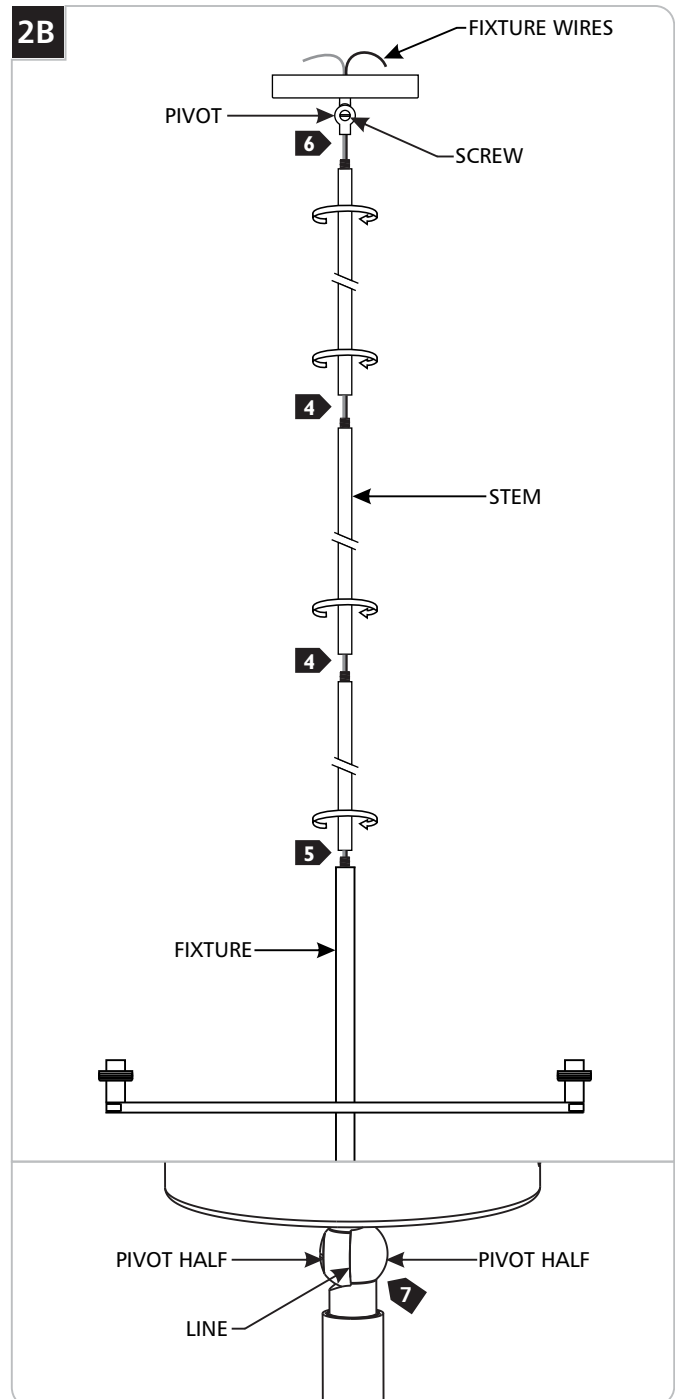
Assemble the Fixture

2A



- 1 Loosen the three set screws on each fixture arm with the provided Allen Wrench.
- 2 Carefully spread the fixture arms apart until the lines on the stickers become aligned.
- 3 Evenly re-tighten the set screws with the provided Allen Wrench.

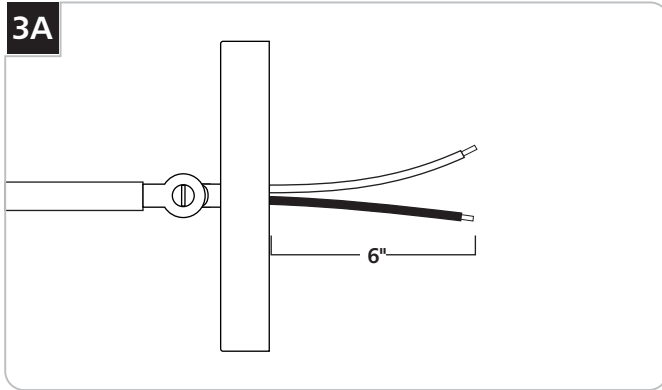
2B



- 4 Determine desired length of fixture using the provided stems and assemble them by screwing them together.
- 5 Feed the fixture wires through the stem assembly and screw it to the fixture.
- 6 Feed the fixture wires through the pivot and screw it onto the stem assembly.
- 7 If the fixture does not hang straight, the pivot must be adjusted for the best aesthetic appearance. Rotate the pivot until the line joining the two pivot halves is aligned with the side of the fixture which holds the most weight.
- 8 If necessary, adjust the angle of the canopy and tighten the screw on the pivot to secure in place.

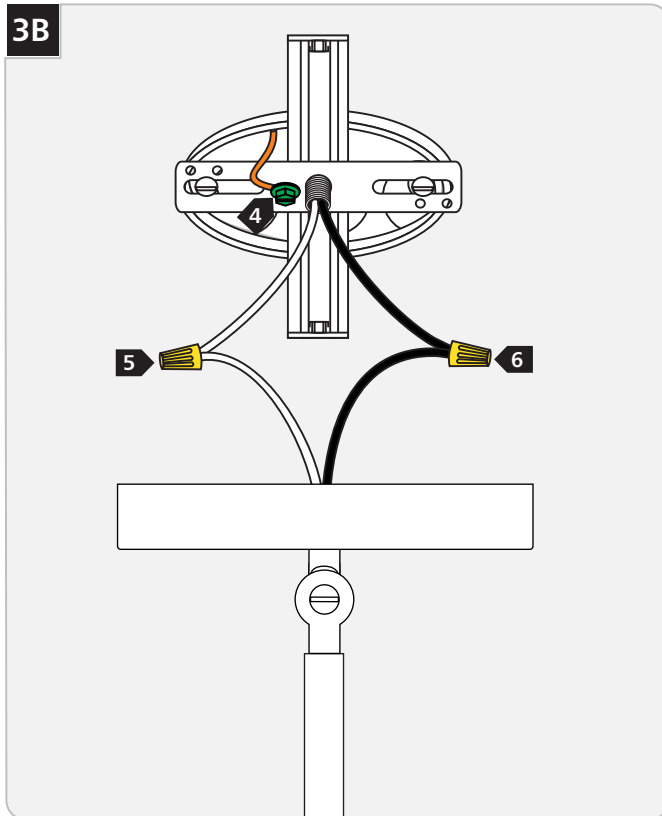
Install the Fixture

3A



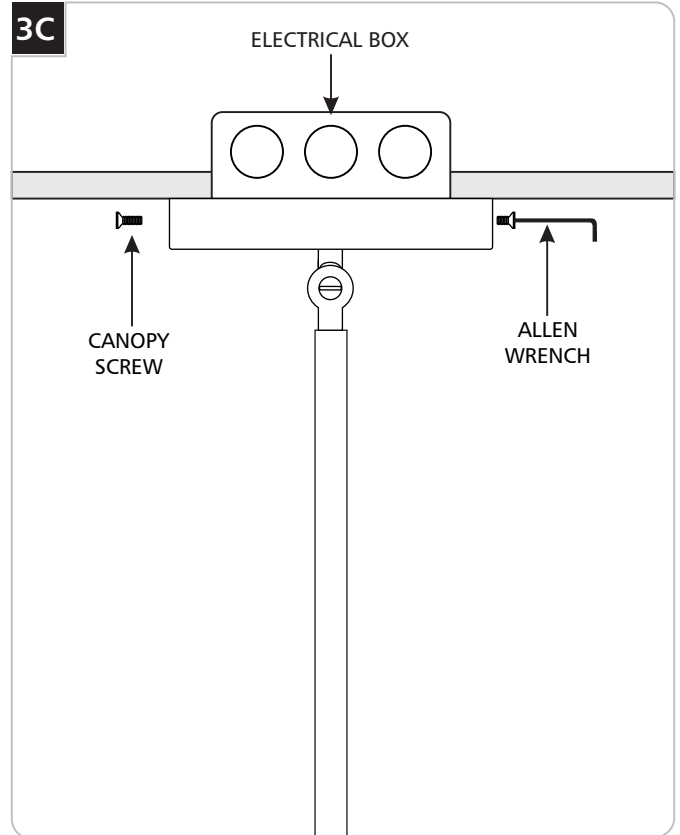
- 1 Leave 6" of the cord behind the canopy for power connections. Cut the excess cord.
- 2 From the end of the cord, strip the insulation 4" using a sharp knife. **Make sure not to nick the inner wires.**
- 3 Strip the end of the wires.

3B



- 4 Connect the fixture to a suitable ground in accordance with local electrical codes.
- 5 Connect the white fixture wire to the neutral power line wire with a wire nut.
- 6 Connect the black fixture wire to the hot power line wire with a wire nut.

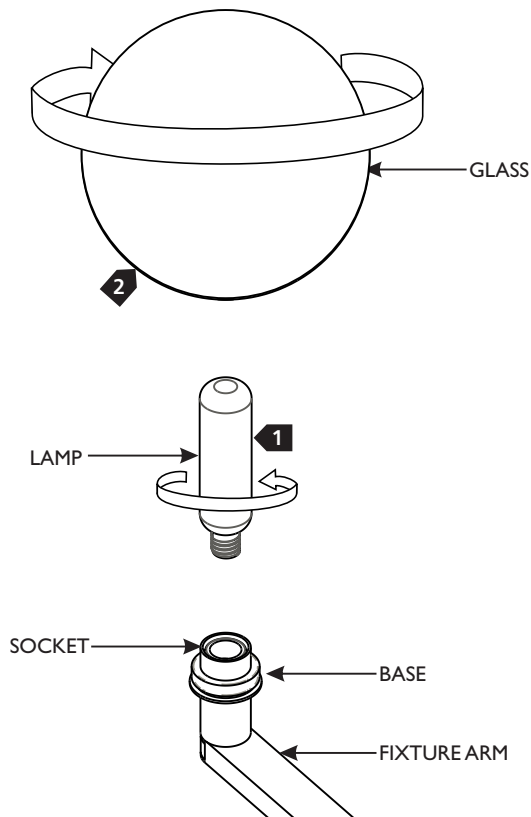
3C



- 7 Neatly place all wires and wire nut connections inside the canopy.
- 8 Align the canopy holes with the mounting plate holes. Secure the canopy in place by tightening the canopy screws using the provided Allen Wrench.

Install the Lamps and Glass

4A



CAUTION: To reduce the risk of a burn or electric shock during re-lamping, disconnect the power to the fixture.

Refer to fixture marking for lamp information.

- 1 Screw the lamps into the sockets.
- 2 Install the glass by gently screwing them onto the bases on the fixture arms. **Do not over-tighten.**

SAVE THESE INSTRUCTIONS!



7400 Linder Ave, Skokie, IL 60077

847.410.4400

www.techlighting.com

© 2018 Tech Lighting, L.L.C. All rights reserved. The "Tech Lighting" graphic is a registered trademark of Tech Lighting, L.L.C. Tech Lighting reserves the right to change specifications for product improvements without notification.

A Generation Brands Company