

Topo Suspension

700TPO_

1.2



GENERAL PRODUCT INFORMATION:



This product is suitable for damp locations.

This fixture is intended to be installed utilizing NEC compliant junction boxes.

This product can be dimmed with a LED or TRIAC dimmer. Consult lamp manufacturer for additional information.

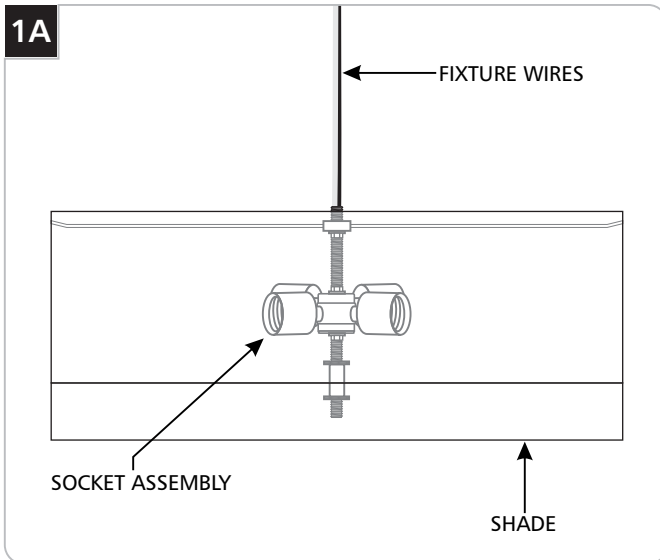
CAUTION - RISK OF FIRE

This product must be installed in accordance with the applicable installation code by a person familiar with the construction and operation of the product and the hazards involved.

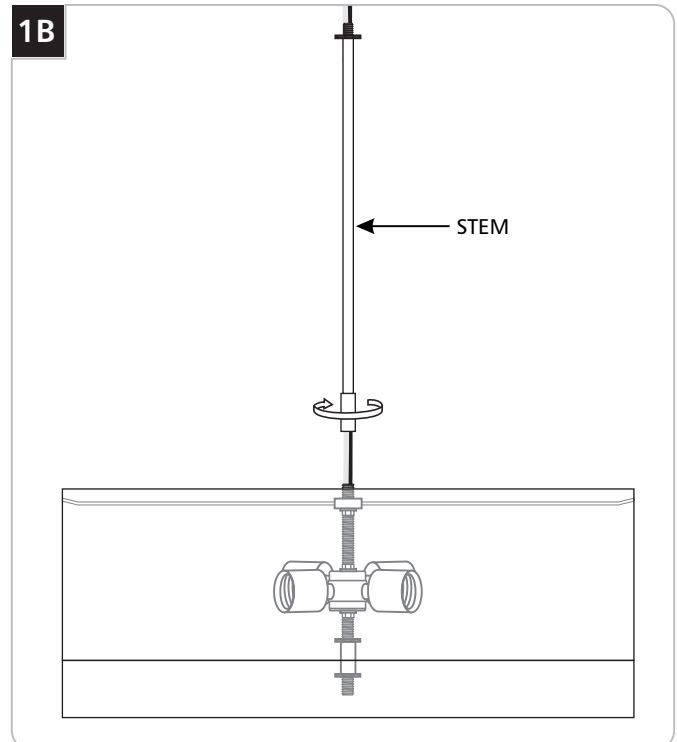
Use minimum 90°C supply conductors.



Assemble the Fixture

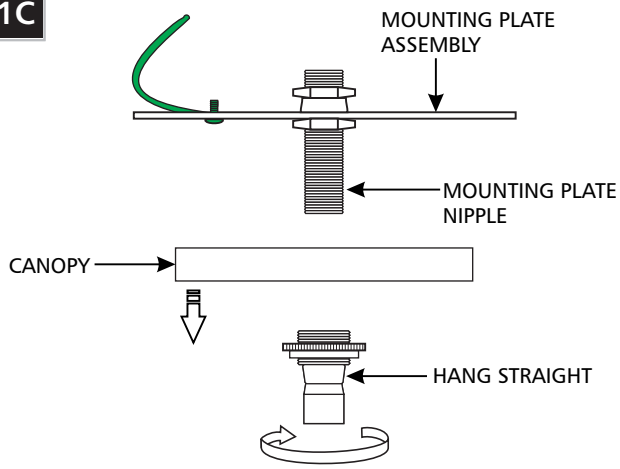


1 Feed the fixture power line through the shade's center ring and install the shade onto the socket assembly.



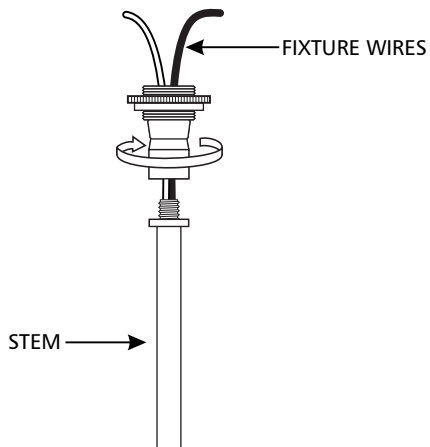
2 Feed the fixture wires through the stem and screw the stem completely onto the socket assembly.

1C



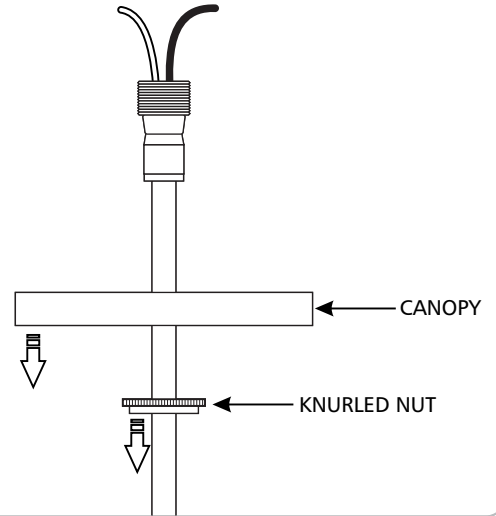
- 3 Separate the mounting plate assembly from the canopy by unscrewing the hang straight from the mounting plate nipple.

1D



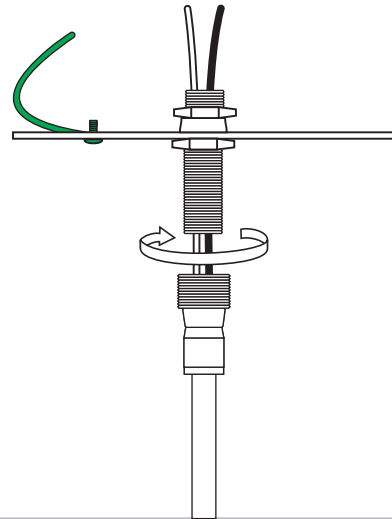
- 4 Feed the fixture wire through the hang straight and screw it securely onto the stem.

1E



- 5 Unscrew the knurled nut downward until it is completely un-threaded and carefully slide it down the stem, followed by the fixture canopy.

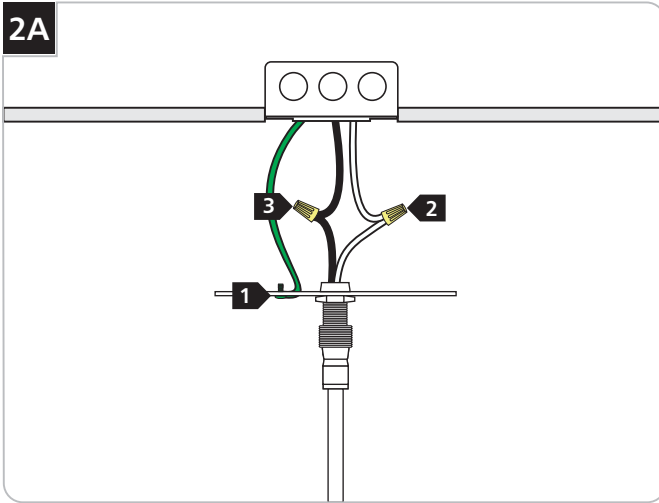
1F



- 6 Feed the fixture wires through the center of the threaded nipple on the mounting plate assembly and screw it completely into the hang straight. Make sure the crossbar is securely tightened.

Install the Fixture

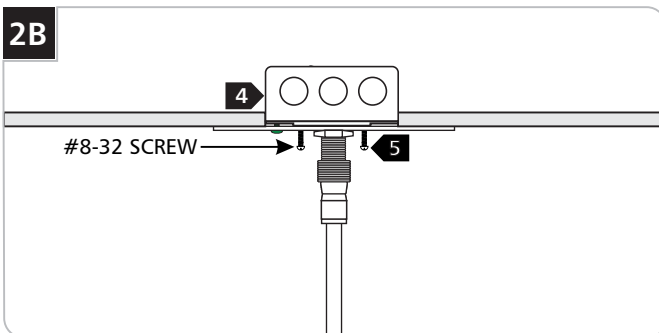
2A



NOTE: It is recommended that one person hold the fixture while the electrician connects the power and finishes the installation.

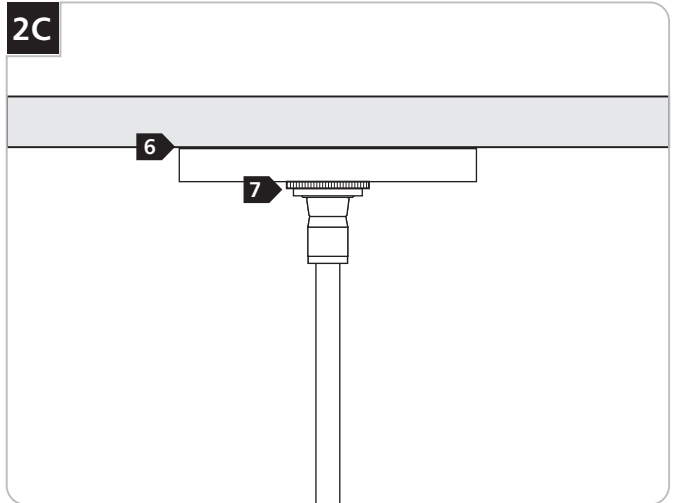
- 1 Ensure the fixture is grounded in accordance with local electrical codes.
- 2 Connect the fixture white wire to the neutral power line wire with a wire nut.
- 3 Connect the fixture black wire to the hot power line wire with a wire nut.

2B



- 4 Place all wires and wire nut connections properly inside the electrical box.
- 5 Mount the fixture to the electrical box with the provided two #8-32 screws.

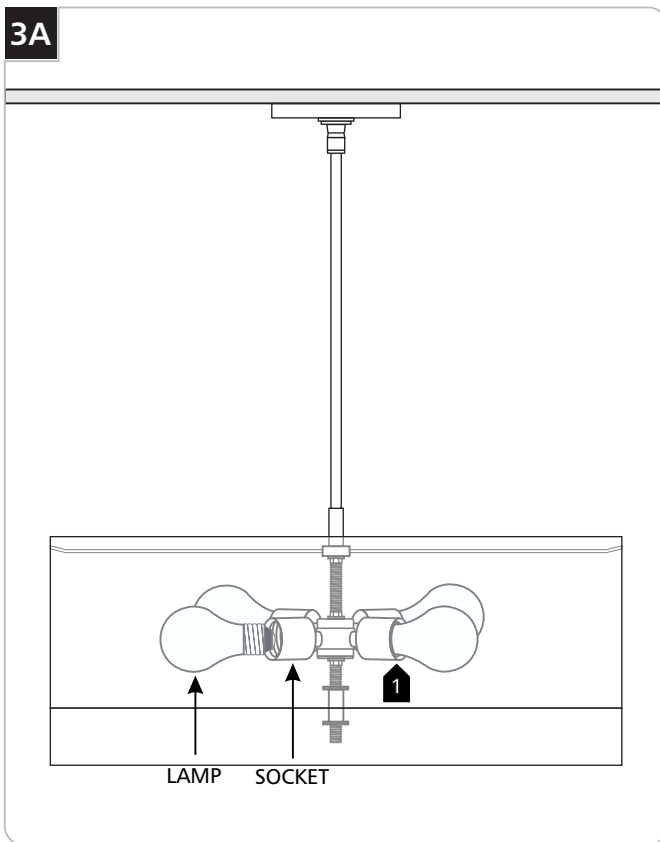
2C



- 6 Feed the canopy and knurled nut up the fixture stem and place the canopy flush onto the ceiling.
- 7 Secure the canopy by reinstalling the knurled nut and tighten it in place.

Installing the Lamps & Glass Disk

3A

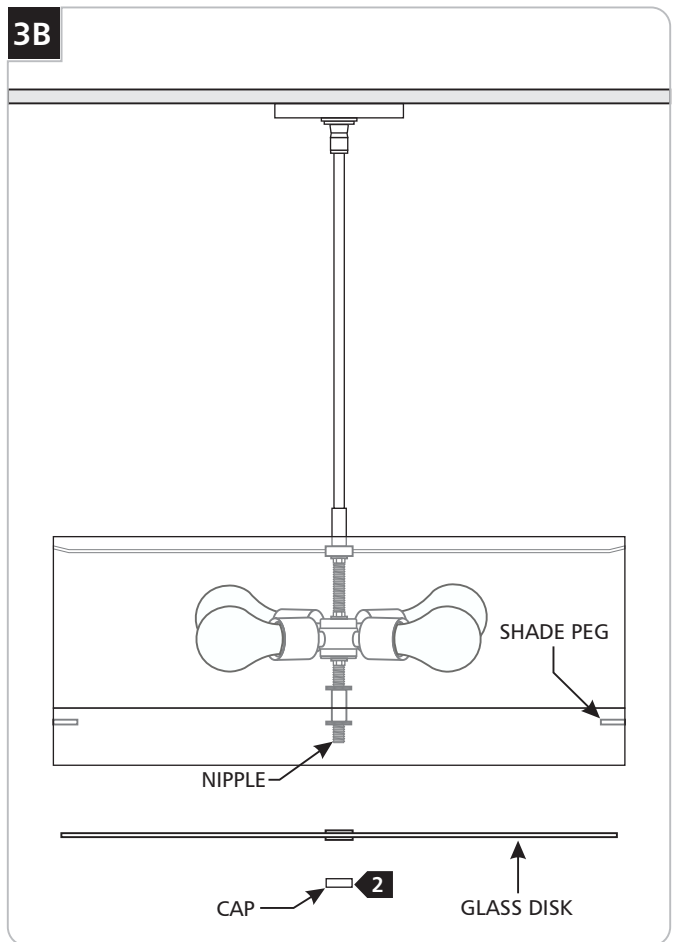


CAUTION: To reduce the risk of a burn or electric shock during relamping, disconnect the power to the fixture.

Refer to fixture marking for lamp information.

1 Screw the lamps into the sockets.

3B



2 Place the glass disk onto the nipple and secure it against the shade pegs with the cap.

NOTE: Do not over tighten the cap. Overtightening may break the glass and result in injury. Ensure that the silicone grommet in the glass disk is in place.

SAVE THESE INSTRUCTIONS!



TECH LIGHTING®

7400 Linder Ave, Skokie, IL 60077

847.410.4400

www.techlighting.com

© 2017 Tech Lighting, L.L.C. All rights reserved. The "Tech Lighting" graphic is a registered trademark of Tech Lighting, L.L.C. Tech Lighting reserves the right to change specifications for product improvements without notification.

A Generation Brands Company