

# Top Suspension (Compact Fluorescent)

700TPO\_-CF 1.0



## GENERAL PRODUCT INFORMATION:



This product is suitable for damp locations.

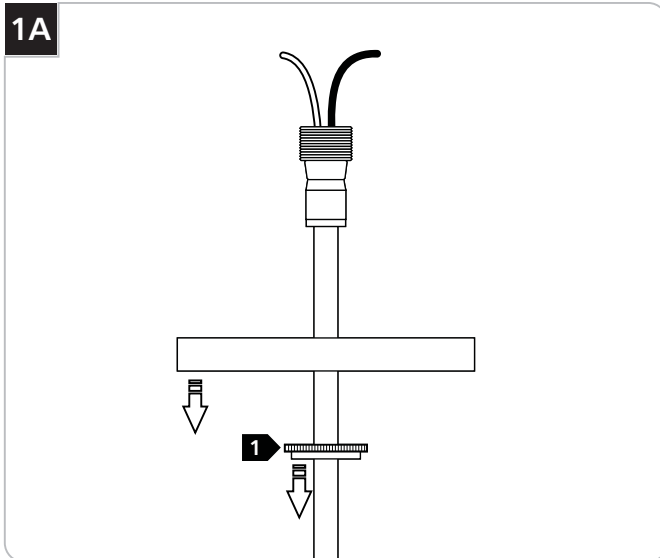
This instruction shows a typical installation.



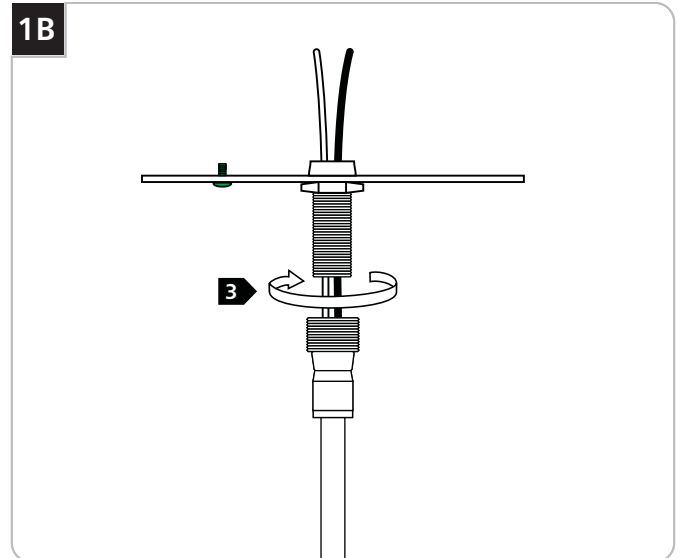
### CAUTION—RISK OF FIRE

This product requires installation by a qualified electrician. Before installing be sure to read all instructions and DISCONNECT POWER TO THE ELECTRICAL BOX.

## Installing the Fixture

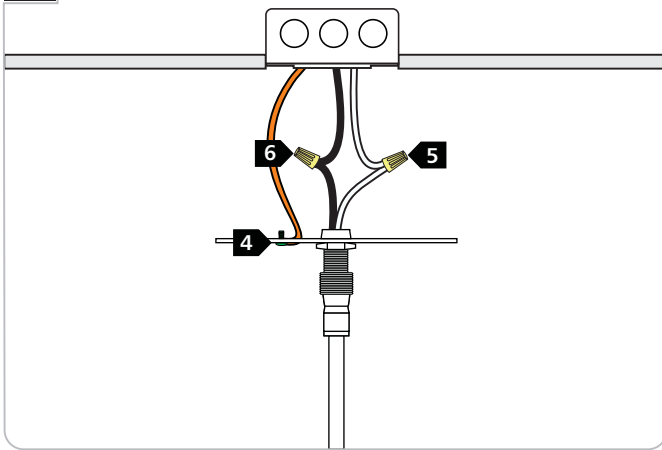


- 1** Hold the canopy in place and unscrew the knurled nut downward until it is completely unthreaded.
- 2** Slide the knurled nut and canopy down the fixture's stem and rest it on the shade assembly.



- 3** Feed the fixture wires through the center of the threaded nipple on the crossbar assembly and screw it completely into the fixture end. Make sure the crossbar is securely tightened.

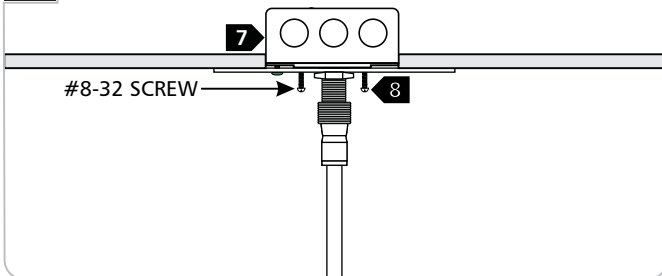
1C



**NOTE:** It is recommended that one person hold the chandelier while the electrician connects the power and installs the canopy cover.

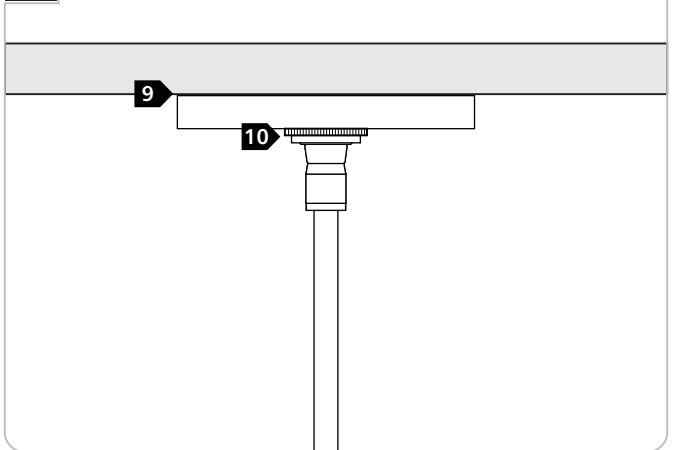
- 4 Make sure fixture canopy is grounded in accordance with local electrical codes.
- 5 Connect the fixture white wire to the neutral power line wire with a wire nut.
- 6 Connect the fixture black wire to the hot power line wire with a wire nut.

1D



- 7 Place all wires and wire nut connections properly inside the electrical box.
- 8 Mount the fixture to the electrical box with the provided two #8-32 screws.

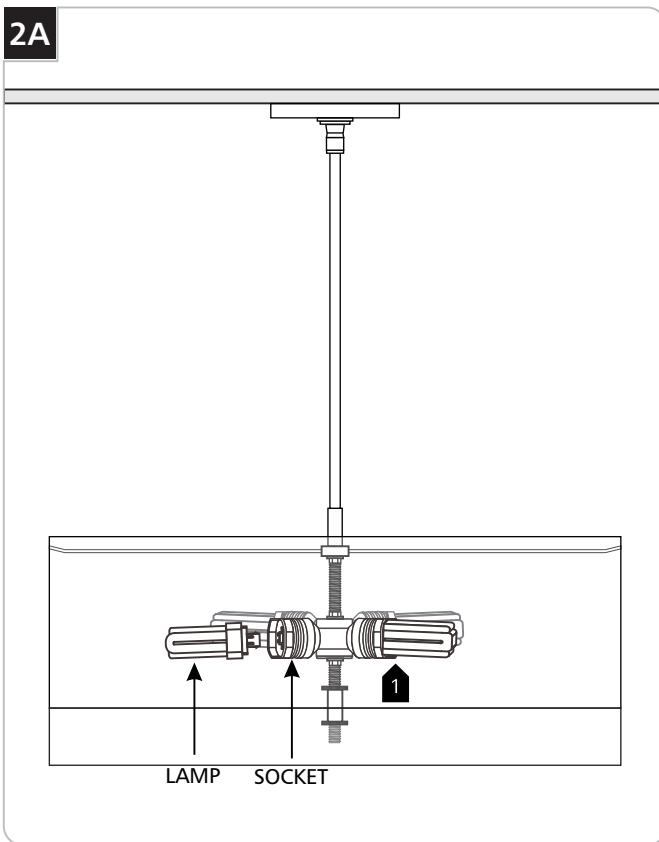
1E



- 9 Feed the canopy and knurled nut up the fixture stem and place the canopy flush onto the ceiling.
- 10 Secure the canopy by reinstalling the knurled nut and tighten it in place.

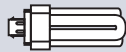
## Installing the Lamps & Glass Disk

2A



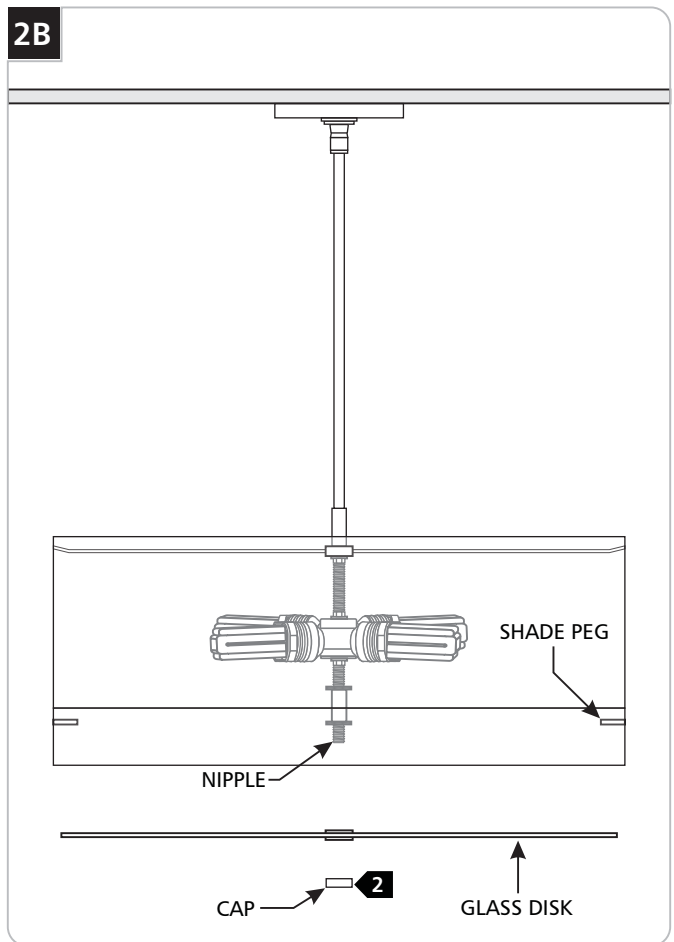
**CAUTION:** To reduce the risk of a burn or electric shock during relamping, disconnect the power to the fixture.

Use **MAX 32 Watt GX24Q-3 Base Triple Tube Compact Fluorescent Lamp.**



**1** Push the lamps into the sockets.

2B



**2** Place the glass disk onto the nipple and secure it against the shade pegs with the cap.

**NOTE:** Do not over tighten the cap. Overtightening may break the glass and result in injury. Ensure that the silicone grommet in the glass disk is in place.

**SAVE THESE INSTRUCTIONS!**



7400 Linder Ave, Skokie, IL 60077  
847.410.4400

[www.techlighting.com](http://www.techlighting.com)

© 2012 Tech Lighting, L.L.C. All rights reserved. The "Tech Lighting" graphic is a registered trademark of Tech Lighting, L.L.C. Tech Lighting reserves the right to change specifications for product improvements without notification.  
A Generation Brands Company